

REMOVAL KIT NUMBERS	WILL REMOVE:	PRODUCT PART NUMBERS
2161745-1	4 x 6 and 4 x 8 receptacles	2169824-1 and 2169825-1
2161752-1	6 X 6 and 6 X 8 receptacles	2180282-1 and 218 0283-1
2161754-1	8 X 6 and 8 X 8 receptacles	2149967-1 and 2180284-1

Figure 1

1. INTRODUCTION

Removal Kits 2161745-1, 2161752-1, and 2161754-1 are designed to remove STRADA-Whisper receptacles from printed circuit (pc) boards. Refer to Figure 1.

Read and understand these instructions before using the removal tools.

2. DESCRIPTION

Each kit consists of two clamp subassemblies, a pusher subassembly, a guide module pusher plate, two pusher plate shims, and four pusher plate mounting screws. The clamp subassemblies consist of a front clamp plate, a rear clamp plate, and a clamp knob. The pusher subassembly consists of a top plate, two pusher plates, and a removal knob. The clamp subassembly clamps the receptacle while the pusher subassembly removes the receptacle from the pc board. The guide module pusher plate is used when the receptacle is adjacent to a guide module, and the

pusher plate shims are used depending on the width of the receptacle.

3. OPERATION

3.1. Tool Preparation

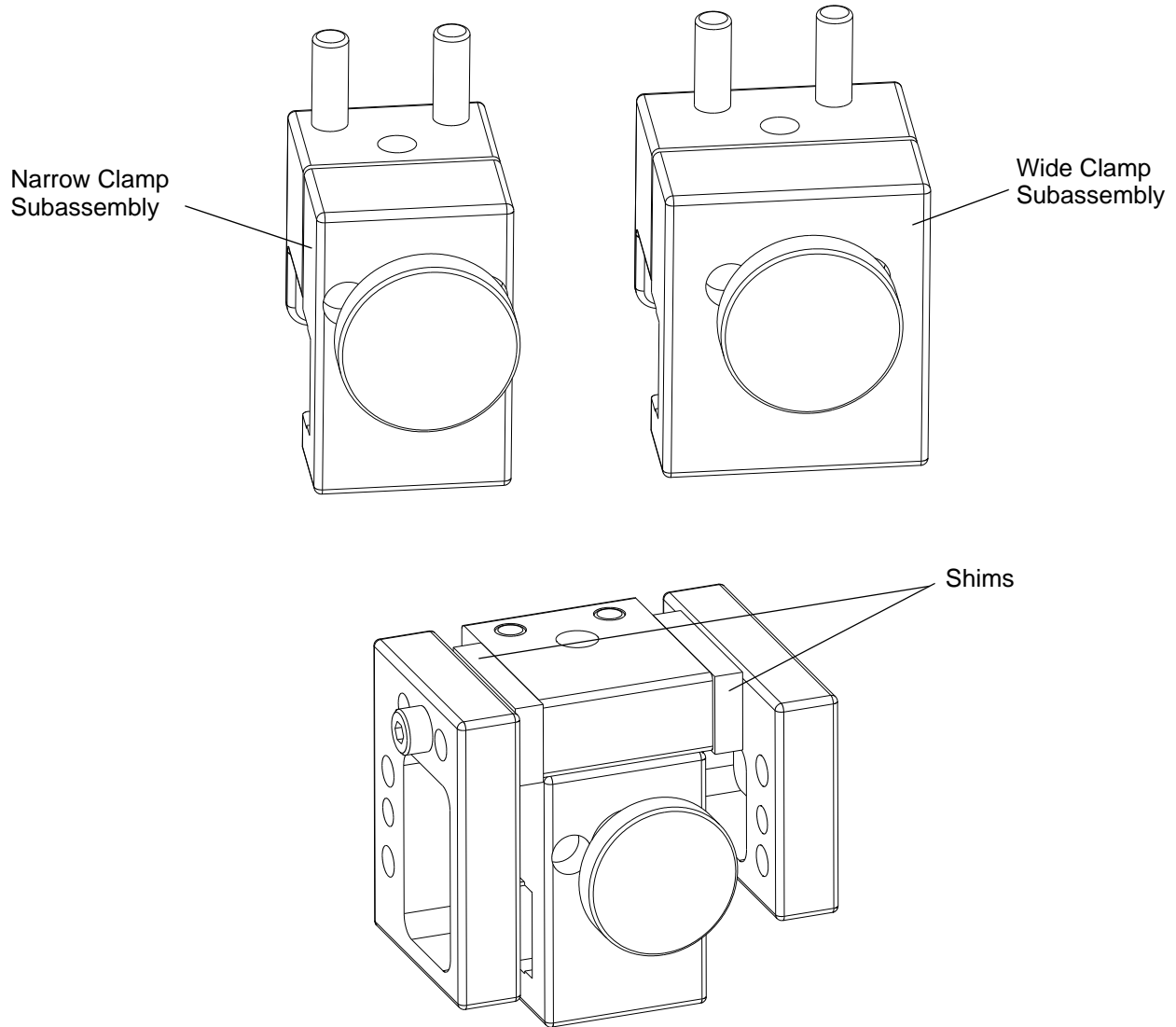
To prepare the removal tool, know the dimension of the receptacle (number of rows and columns) and the placement of the receptacle (what is next to the receptacle). Once these conditions are determined, the tool can be prepared to remove the receptacle.

To prepare the tool:

1. Select the kit part number to be used based on the receptacle part number or size.
2. Select the proper clamp subassembly for the receptacle part number or size.
3. Determine if shims are necessary and install as needed. See Figure 2 for shim placement.

4. Select the proper side pusher plate orientation, or select the guide module pusher plate, and install the side pusher plates.

Receptacle Size Considerations (Figure 2 and Figure 3).



RECEPTACLE PART NUMBER	RECEPTACLE SIZE	REMOVAL TOOL KIT	CLAMP SUBASSEMBLY	SHIMS†
2169824-1	4x6	2161745-1	Narrow	Yes
2169825-1	4X8	2161745-1	Wide	No
2180282-1	6x6	2161752-1	Narrow	Yes
2180283-1	6x8	2161752-1	Wide	No
2149967-1	8x6	2161754-1	Narrow	Yes
2180284-1	8x8	2161754-1	Wide	No

† If using shims, use the longer pusher plate mounting screws

Figure 2

Refer to Figure 3 for pusher plate orientation.

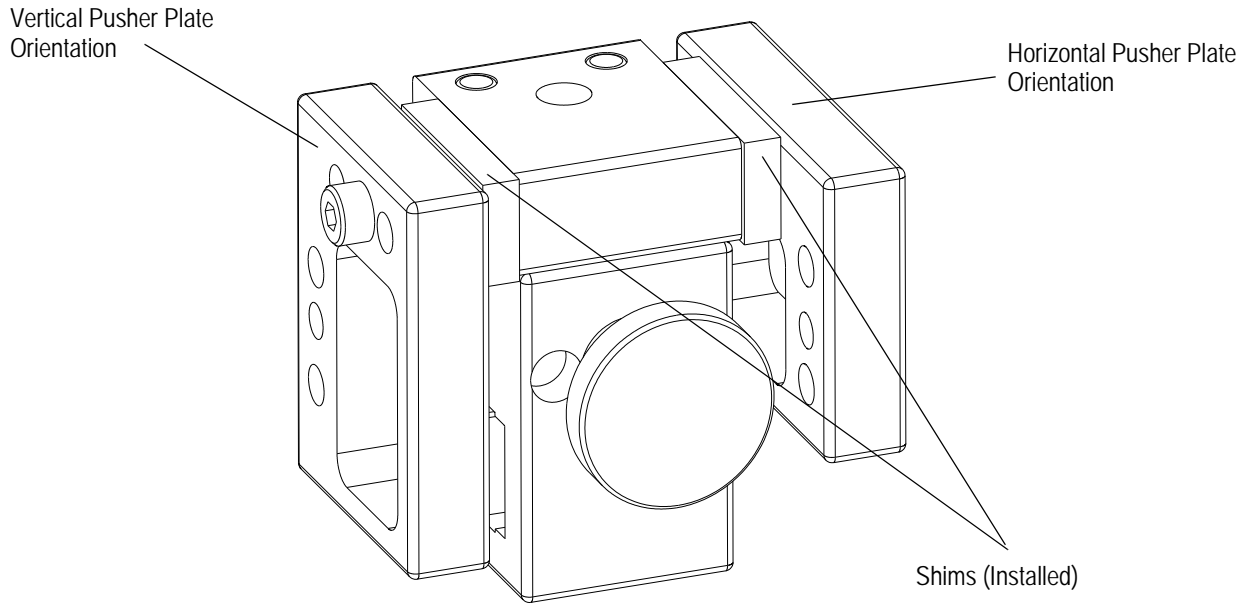


Figure 3

- a. If a receptacle is located next to the clamp assembly, the pusher plate must have a **horizontal orientation**.
- b. If a printed circuit (pc) board is located next to the clamp assembly, the pusher plate must have a vertical orientation.
- c. If a guide module is located next to the clamp assembly, the guide module pusher plate must be installed.

3.2. Removal Procedure



Be certain the removal tool assembly does not contact any components on the pc board during use.

1. Loosen the clamp knob on the clamp subassembly if necessary to fit over the receptacle.
2. Place the clamp subassembly over the receptacle and center it on the receptacle.
3. Tighten the clamp knob to clamp the receptacle. Hand tightening should be sufficient. See Figure 4.

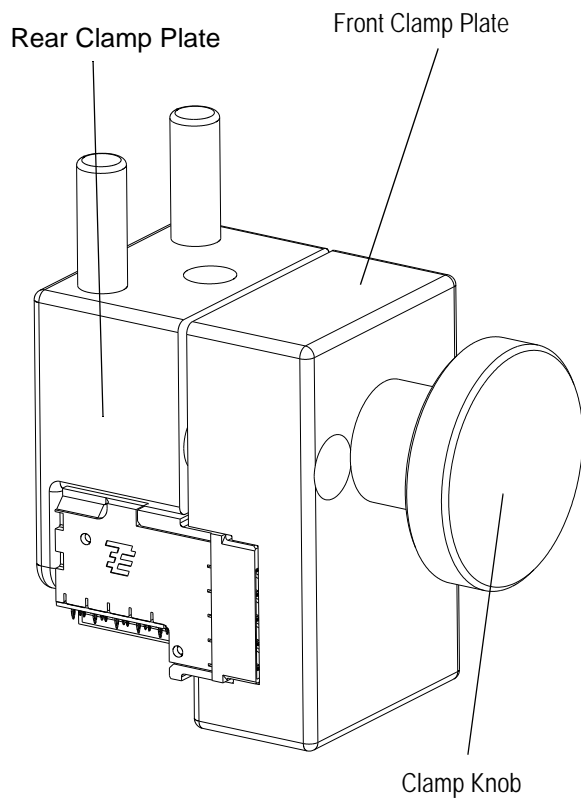


Figure 4

4. Place the pusher subassembly over the clamp subassembly. (Figure 5).

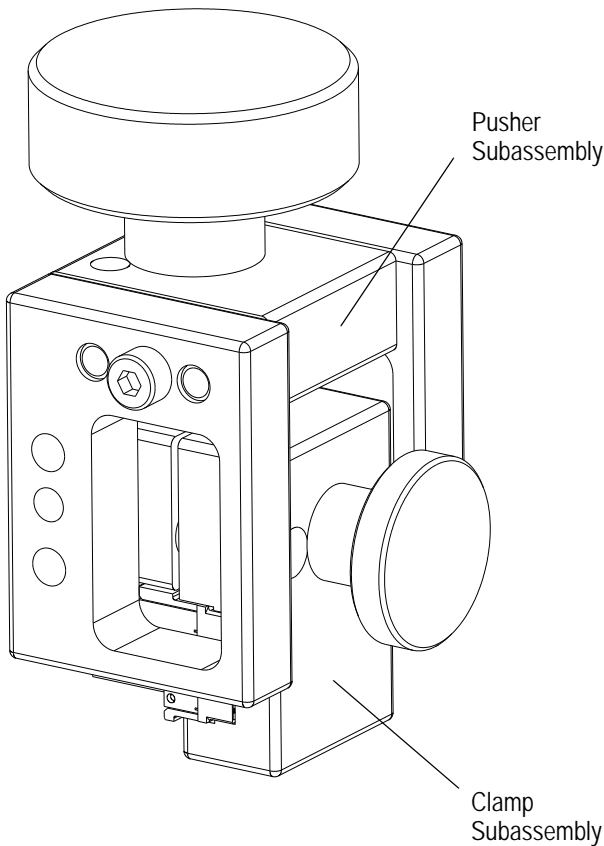


Figure 5

5. Tighten the Removal Knob to remove the receptacle from the pc board.

NOTE



The tool and receptacle can spin after removal due to the twisting action of the removal knob. This spin could cause damage to the pc board. Hold the tool firmly during removal.

6. Remove the receptacle from the tool by loosening the Clamp Knob.

3.3. Secondary Operation (May NOT be Required)

TOOLS: 2161831-1 for eight column connectors
 2161831-2 for six column connectors

1. If there are contacts still remaining in the board, a secondary tool may be necessary to remove any remaining contacts. Refer to Figure 6.

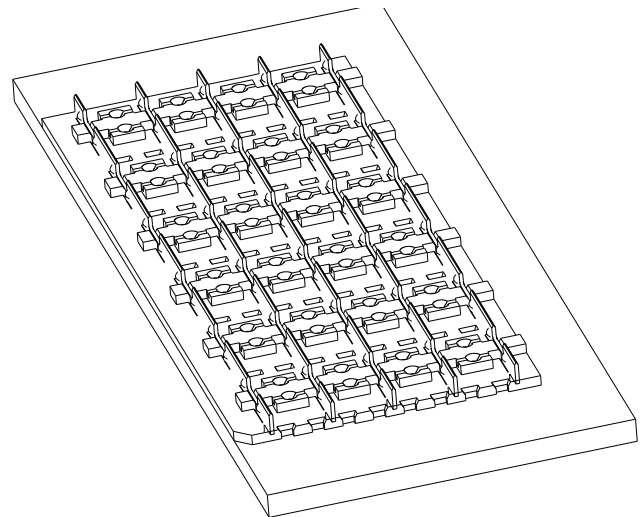


Figure 6

2. Line up the front plate of the tool with the row of contacts to be removed. Refer to Figure 7.

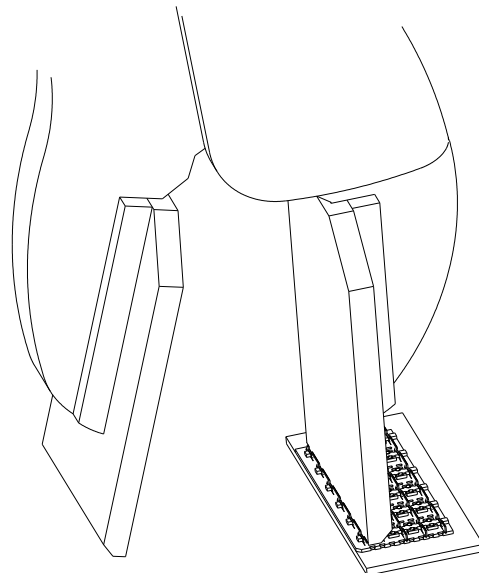


Figure 7

3. Close the tool, bringing both plates together and gripping the row of contacts. Refer to Figure 8.

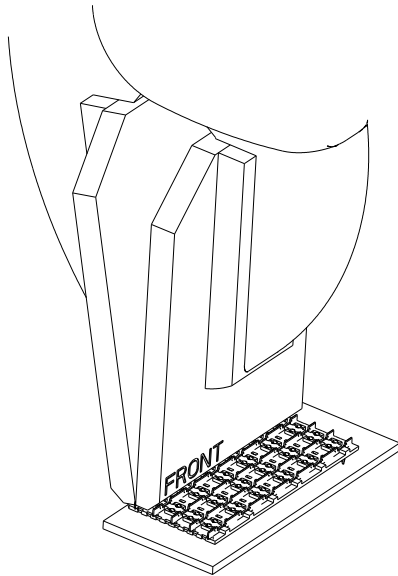


Figure 8

4. Pulling straight up from the board, remove the row as shown in Figure 9. Repeat steps 2 through 4, as required.

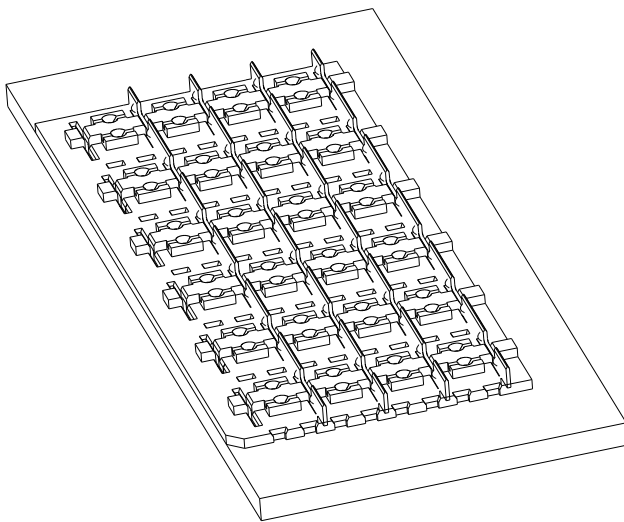


Figure 9

4. MAINTENANCE AND INSPECTION

TE Connectivity recommends that the tool be inspected immediately upon its arrival to ensure that it has not been damaged during shipment.

4.1. Daily Maintenance

It is recommended that each operator be made aware of, and responsible for, the following steps of daily maintenance:

- Remove dust, moisture, and other contaminants with a clean, soft brush, or lint-free cloth. DO NOT use objects that could damage the tool or any of its components.
- When the tool is not in use, store it in a clean, dry area.

4.2. Periodic Inspection

Regular inspections should be performed by quality control personnel. A record of scheduled inspections should remain with the tool or be supplied to personnel responsible for the tool. The inspection frequency should be based on the amount of use, working conditions, operator training and skill, and established company standards.

5. REPLACEMENT AND REPAIR

Order tools through your TE Connectivity Representative, or call 1-800-526-5142, or send a facsimile of your purchase order to 717-986-7605. or write to:

CUSTOMER SERVICE (038-035)
TYCO ELECTRONICS CORPORATION
PO BOX 3608
HARRISBURG PA 17105-3608

6. REVISION SUMMARY

- Corrected product name in title and Section 1, INTRODUCTION