

MATERIALS AND FINISHES

BLOCK: ALUMINUM 6061  
PLATED ELECTROLESS NICKEL

SMP DETENT SHROUD: STAINLESS STEEL  
PASSIVATED

ALIGNMENT PINS: STAINLESS STEEL  
PASSIVATED

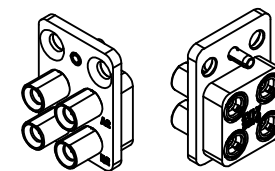
BODY SMPM: STAINLESS STEEL  
PLATED GOLD PER MIL-G-45204 TYPE II,  
GRADE C, CLASS 1 (50 μ-in MIN  
OVER NICKEL 50 μ-in MIN

INSULATORS: PTFE

CONTACT: BERYLLIUM COPPER  
PLATED GOLD PER MIL-G-45204 TYPE II,  
GRADE C, CLASS 1 (50 μ-in MIN  
OVER NICKEL 50 μ-in MIN

SMPM PLUG  
SMOOTH BORE  
CATCHERS MITT  
4 PLACES

SMPM PLUG  
FULL DETENT  
4 PLACES



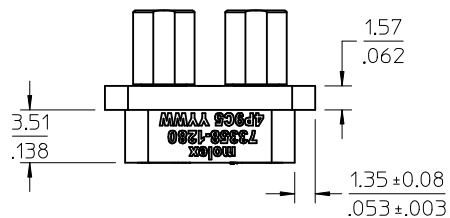
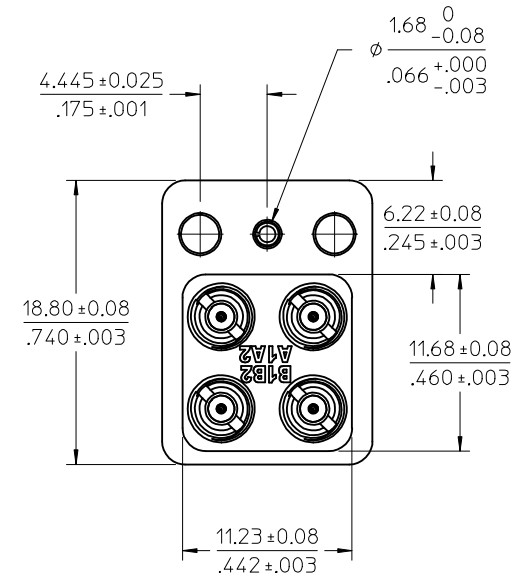
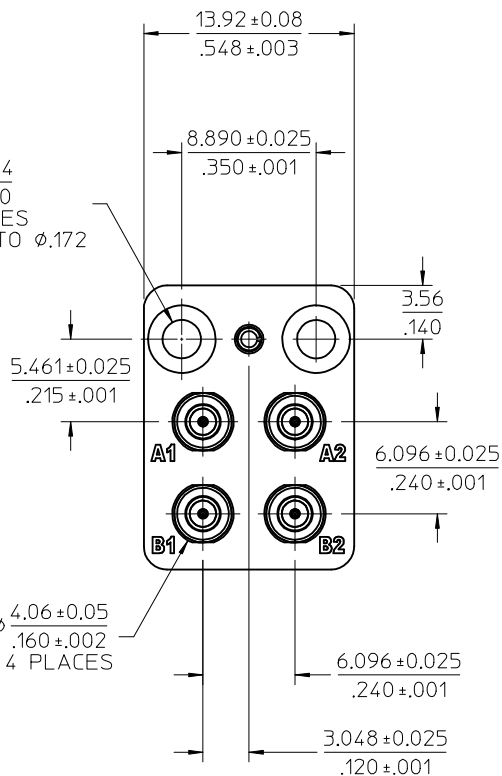
3.18  
.125

1.40  
.055  
4 PLACES

6.58  
.259  
4 PLACES

4.47  
.176  
4 PLACES

∅ 2.54  
.100  
2 PLACES  
✓ 100° TO ∅.172



PART # 73358-1280

SEE PS-89675-470 FOR PCB LAYOUT & PLACEMENT

ANSI/VITA 67.1	NATIONAL STANDARD
PS-89675-470	PRODUCT SPECIFICATION
MIL-STD-348A, FIG. 328.2	INTERFACE SMPM P FD
SPECIFICATION	DESCRIPTION

CHG: SHROUD BORE CHANGED FROM ∅.087 TO ∅.0875 EC NO: URF2017-0372 DRAWN:SWAM102 2017/05/03 CHKD:BBB 2017/05/03 APPR:AROBERTSON 2017/05/12 REV B	QUALITY SYMBOLS	GENERAL TOLERANCES (UNLESS SPECIFIED)	DIMENSION STYLE	SCALE	DESIGN UNITS	THIRD ANGLE PROJECTION
	∇=0	mm INCH	MM/IN	INCH	INCH	
	∇=0	4 PLACES ± --- ± ---	DRAWN BY DATE	TITLE		
	∇=0	3 PLACES ± --- ± ---	CHECKED BY DATE	VITA 67.1 4 PORT MODULE MIDPLANE SMPM PLUG FD/SB SMPM-VITA, EWR-10029-B		
		2 PLACES ± --- ± ---	APPROVED BY DATE	molex		
		1 PLACE ± --- ± ---	MATERIAL NO.	DOCUMENT NO.	SHEET NO.	
		0 PLACE ± --- ± ---	733581280	SD-73358-128	1 OF 1	
		ANGULAR ± 2°	THIS DRAWING CONTAINS INFORMATION THAT IS PROPRIETARY TO MOLEX INCORPORATED AND SHOULD NOT BE USED WITHOUT WRITTEN PERMISSION			