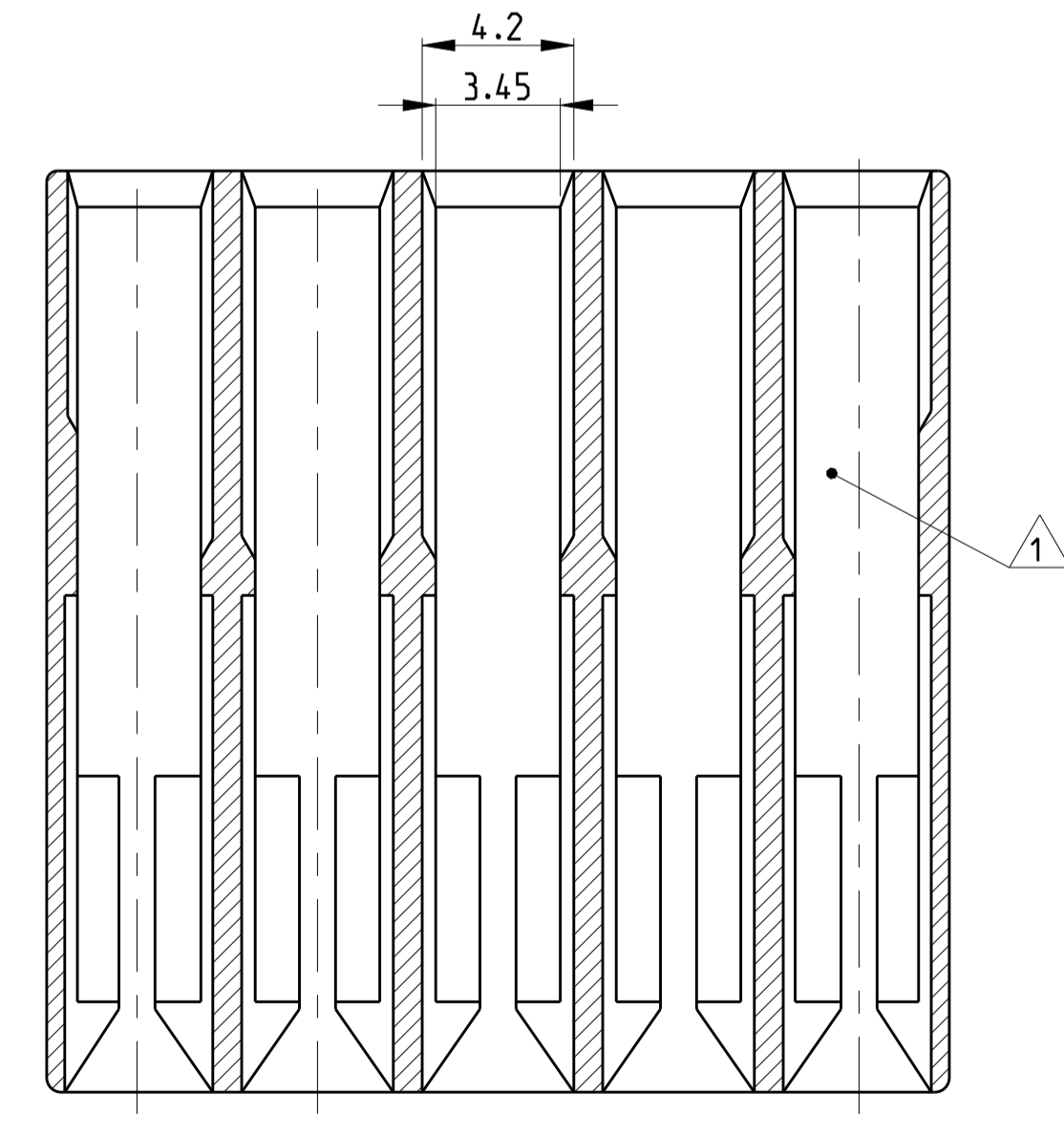
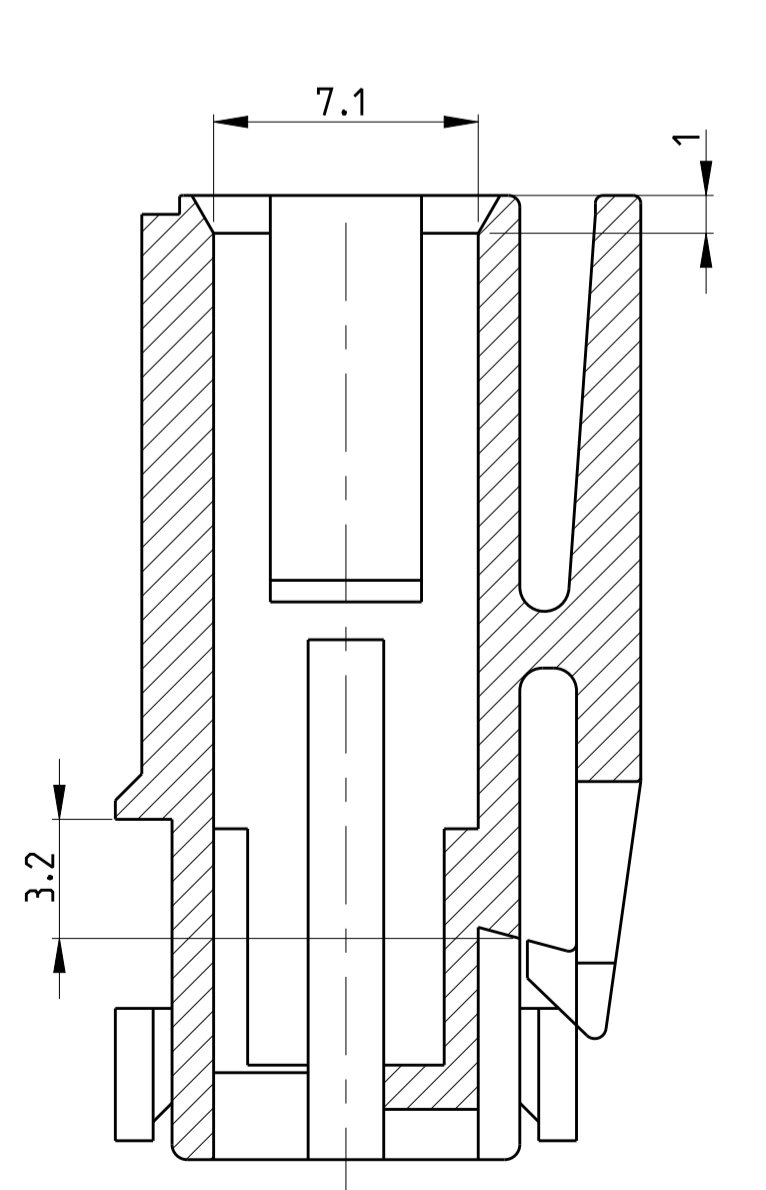
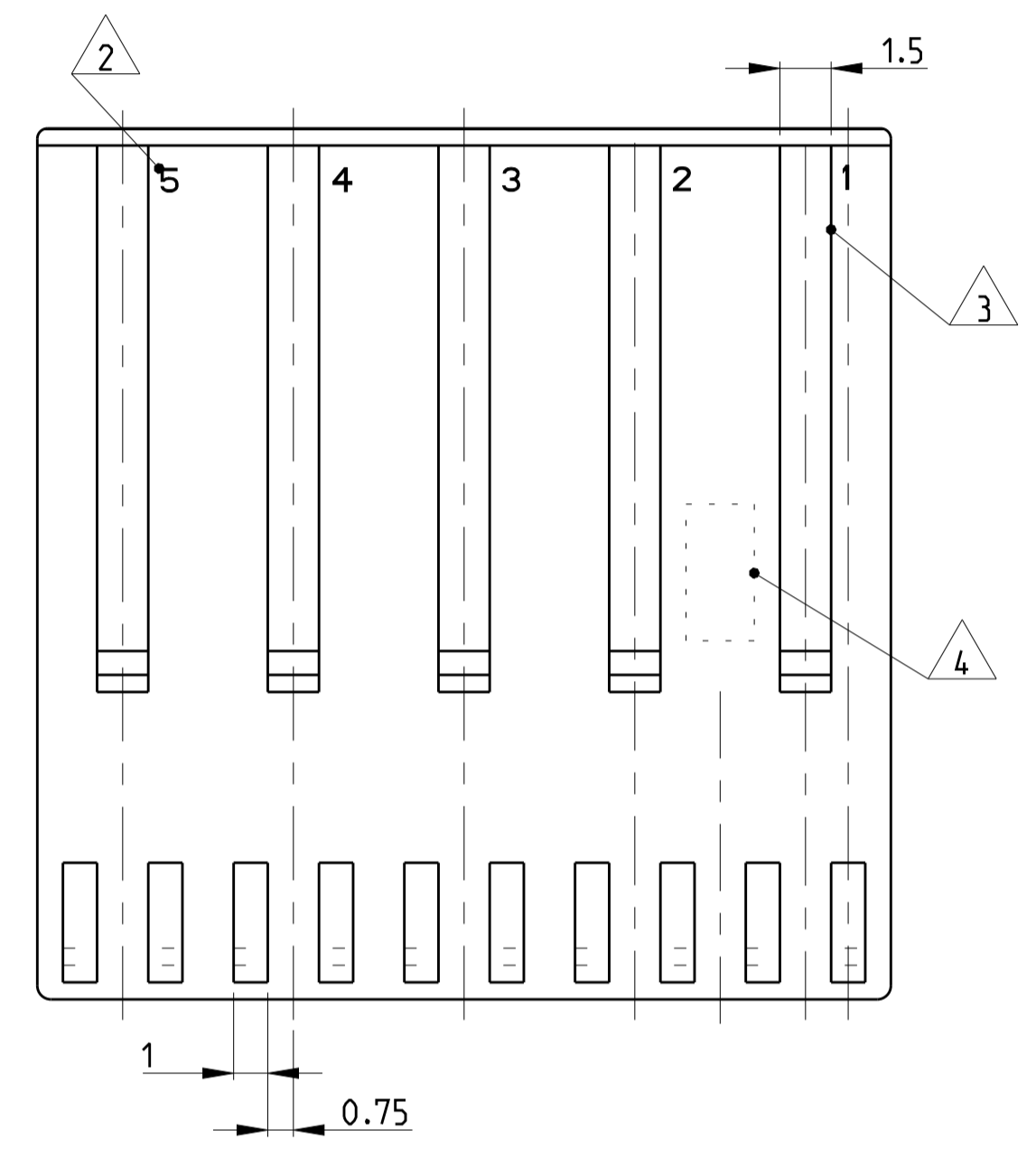
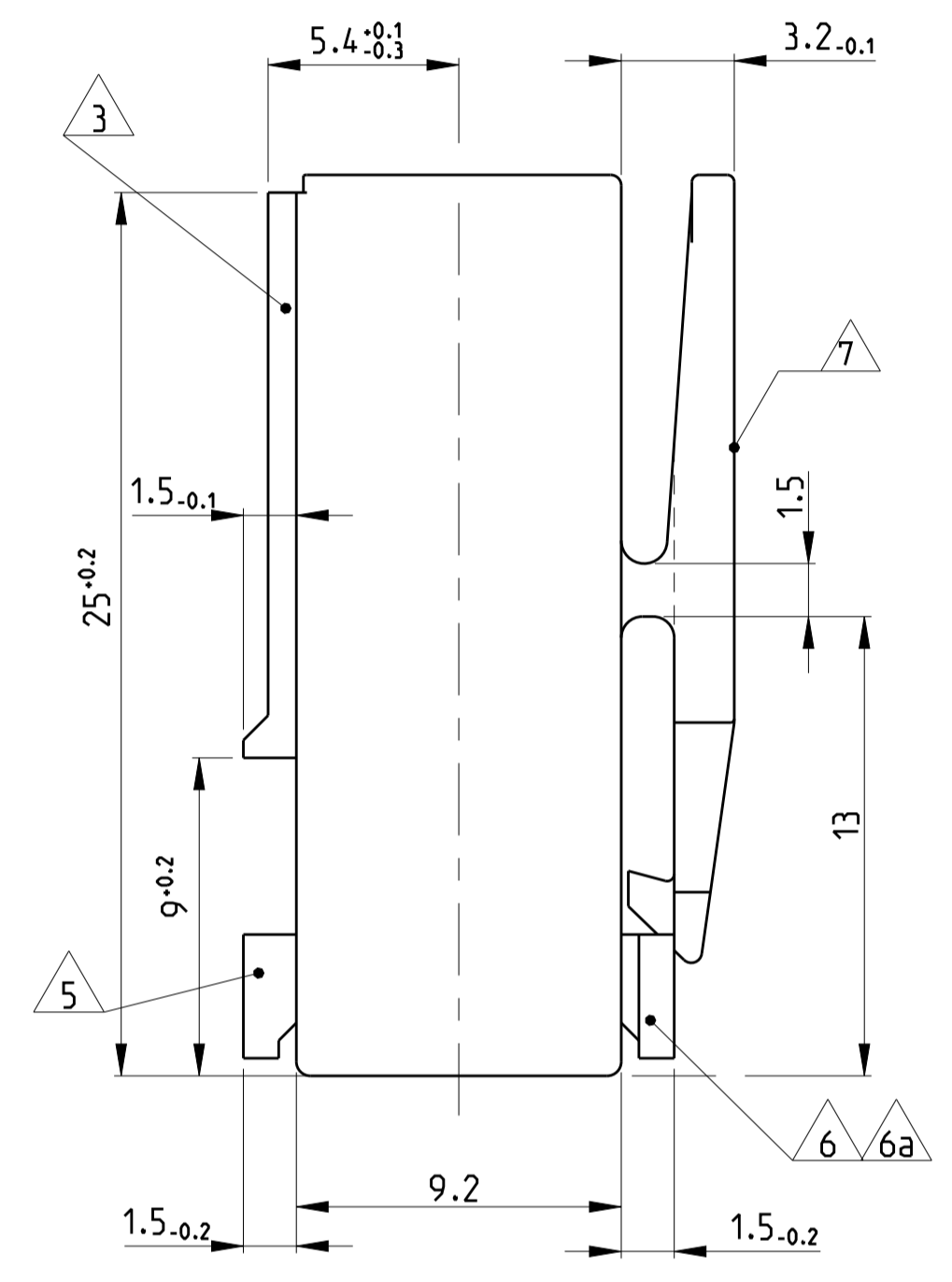
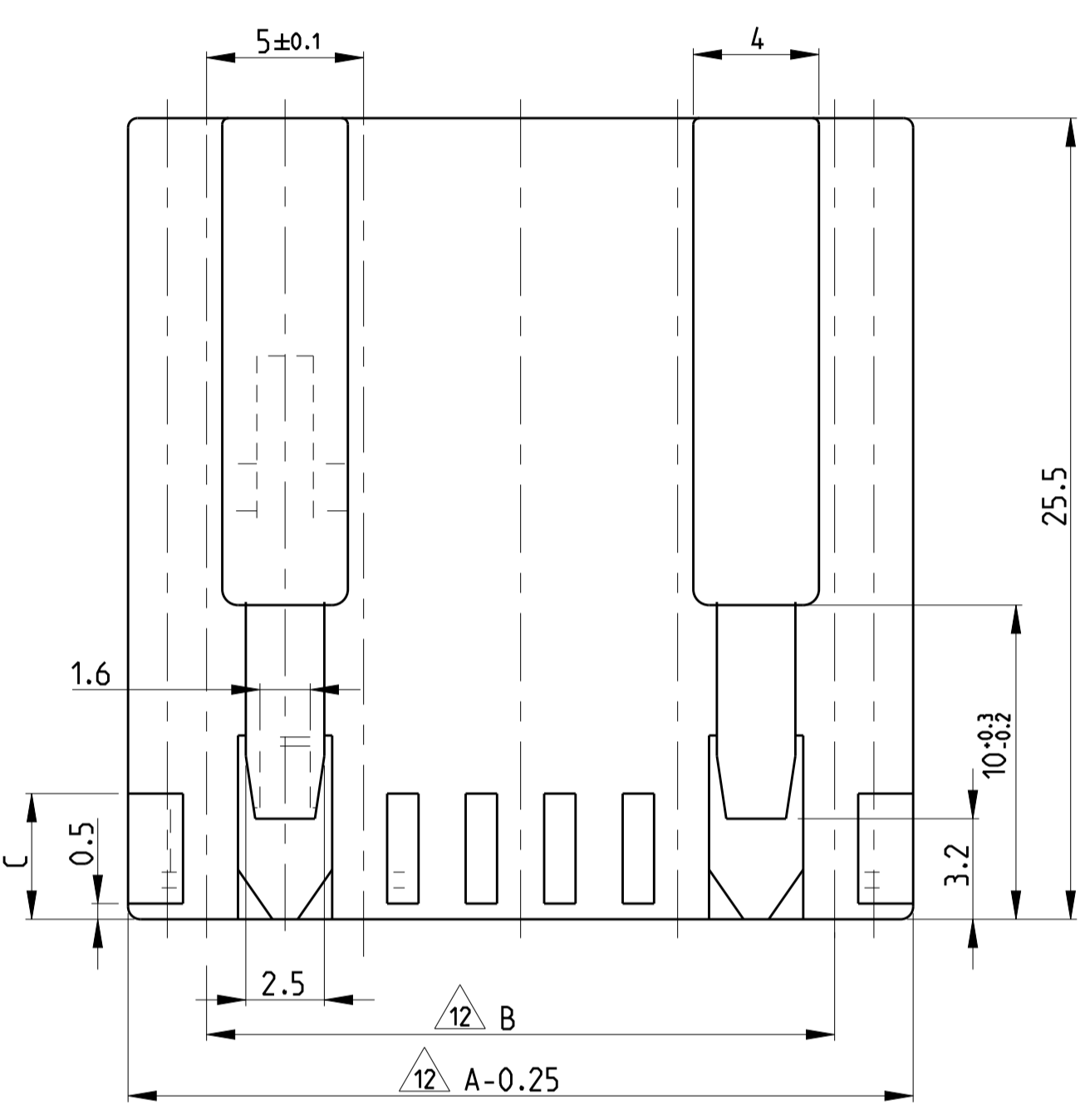
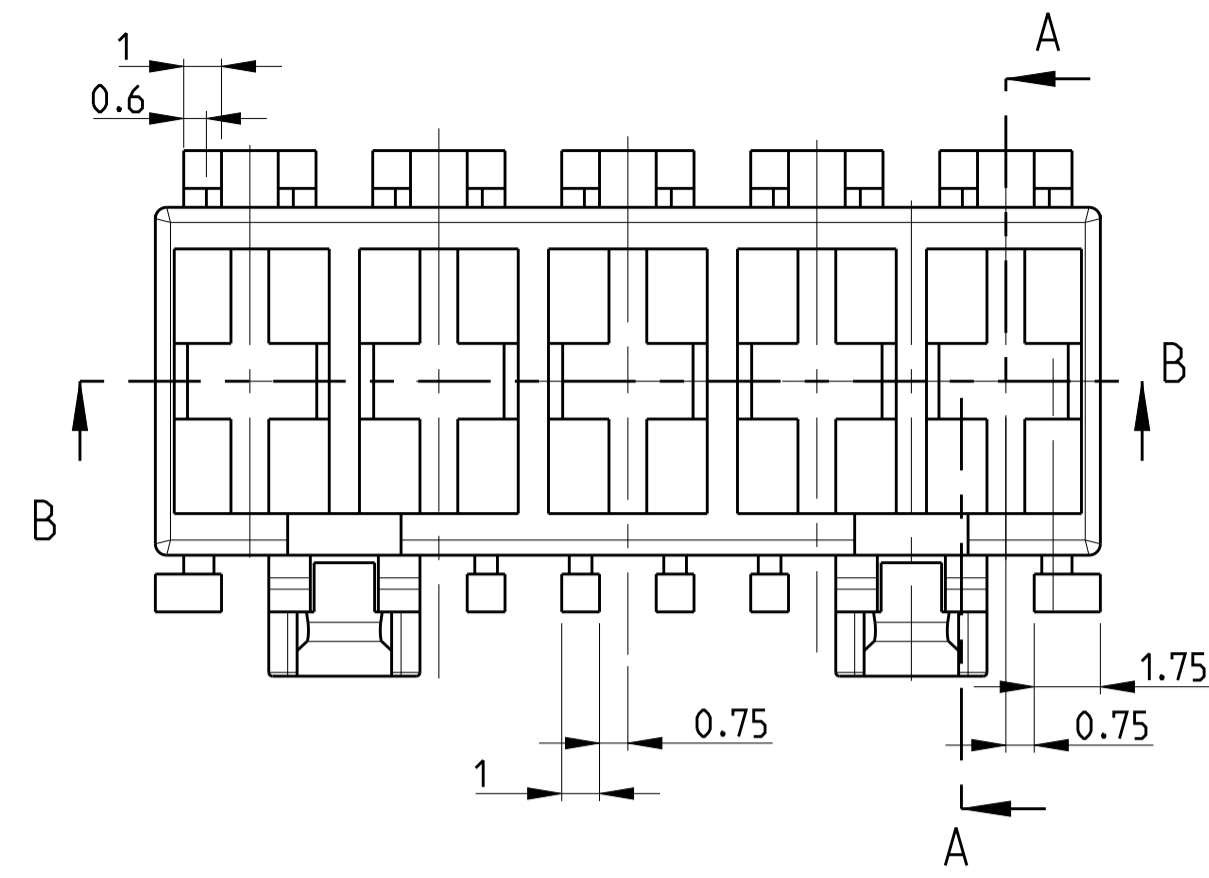
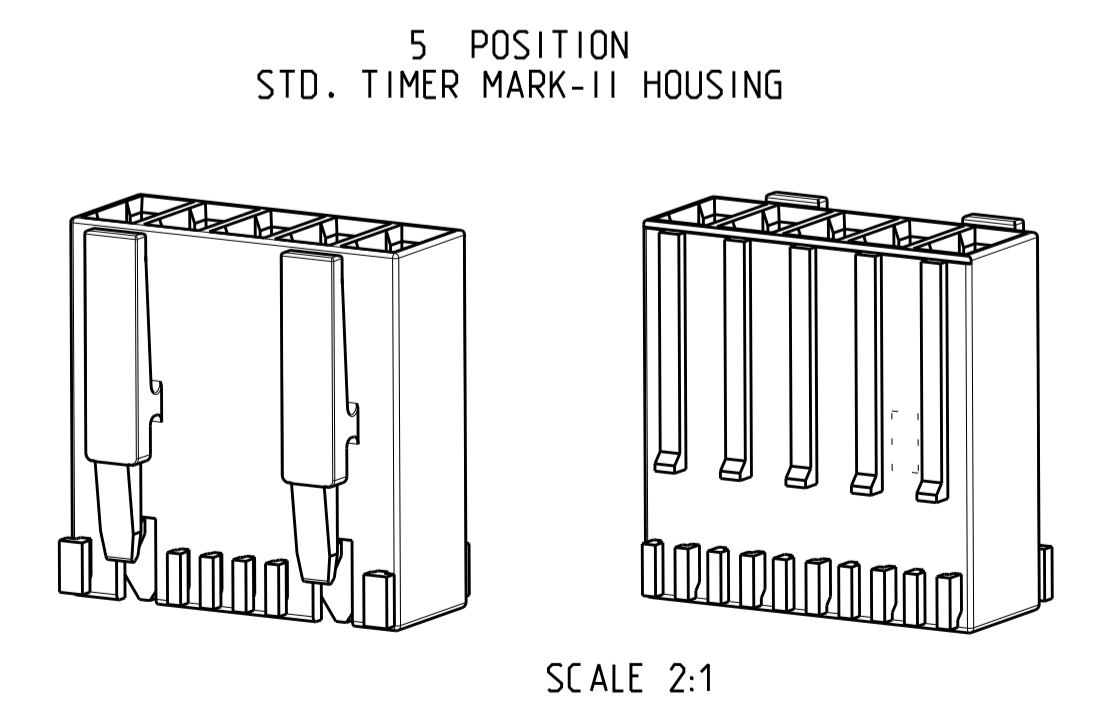


LOC	DIST	REVISIONS					
		P	LTR	DESCRIPTION	DATE	DWN	APVD
C29	ECR-16-002241				17FEB2016	KD	RR
C30	ECR-16-012969				13SEP2016	FV	RR
C31	ECR-17-000741				18JAN2017	KD	RR
C32	ECR-17-003275				07MAR2017	KD	RR



- REMARKS/Bemerkungen**
- 1 CAVITY SUITABLE FOR STANDARD TIMER CONTACTS LISTED IN PROD.SPEC. 108-18049, ITEM 3.3.2  
Kammer geeignet für Standard Timer Kontakte gelistet in Prod. Spec. 108-18049, Punkt 3.3.2
  - 2 CONTACT CAVITY NO.  
Kontaktkammernummerierung
  - 3 MATING STOP  
Tiefenanschlag
  - 4 AREA FOR TE LOGO ACC: TO SPEC 202-36  
Bereich für TE Logo nach Spec. 202-36
  - 5 POLARIZATION RIB POSITION "a" AND/OR "b"  
Polarisierungsrippe Position "a" und/oder "b"
  - 6 KEYING RIB POSITION "c" AND/OR "d"  
Kodierrippe Position "c" und/oder "d"
  - 6a KEYING RIB POSITION "c" AND/OR "d" AT THE END WALLS OF THE HOUSING  
Kodierrippe Position "c" und/oder "d" an den Gehäusestirnseiten
  - 7 LOCKING LATCH  
Rasthaken
  - 8 TE PART NO (PN)  
TE Bestell Nr. (PN)
  - 9 DESIGN OF THE HOUSINGS ACC. TO RAST 5 STANDARD  
Gehäuseausführung gemäss RAST 5 Vorgabe
  - 10 GENERAL SUITABLE TAB HEADER SEE RAST 5 PERFORMANCE  
Generell passende Flachsteckerwannen siehe RAST 5 Vorgabe
  - 11 PACKAGING: BULK PACKAGING IN CORRUGATED BOX PN 740580-2  
2 POS. 2500 PIECES PER BOX / 3 POS. 2000 PIECES PER BOX  
Verpackung: Schüttgut in Versandkarton Pn 740580-2  
2pol. 2500 Stück per Karton / 3pol. 2000 Stück per Karton
  - 12 DIMENSION A, B AND C SEE SHEET 2 OF 3
  - 13 MATERIAL CORRESPONDS TO THE REQUIREMENT EN 60335  
(INCL. GLOW WIRE TEST 750° WITHOUT FLAME)  
Material entspricht den Anforderungen der EN 60335  
(inkl. Glühdrahttest 750° ohne Flamme)
  - 14 RATIO NUMBER OF THE KEYING VERSION, INKJET PRINTED. SEE SHEET 2  
Kodierungskennnummer, mit Tintenstrahldrucker aufgebracht, siehe Blatt 2
  - 15 PRELIMINARY- NOT RELEASED FOR PRODUCTION

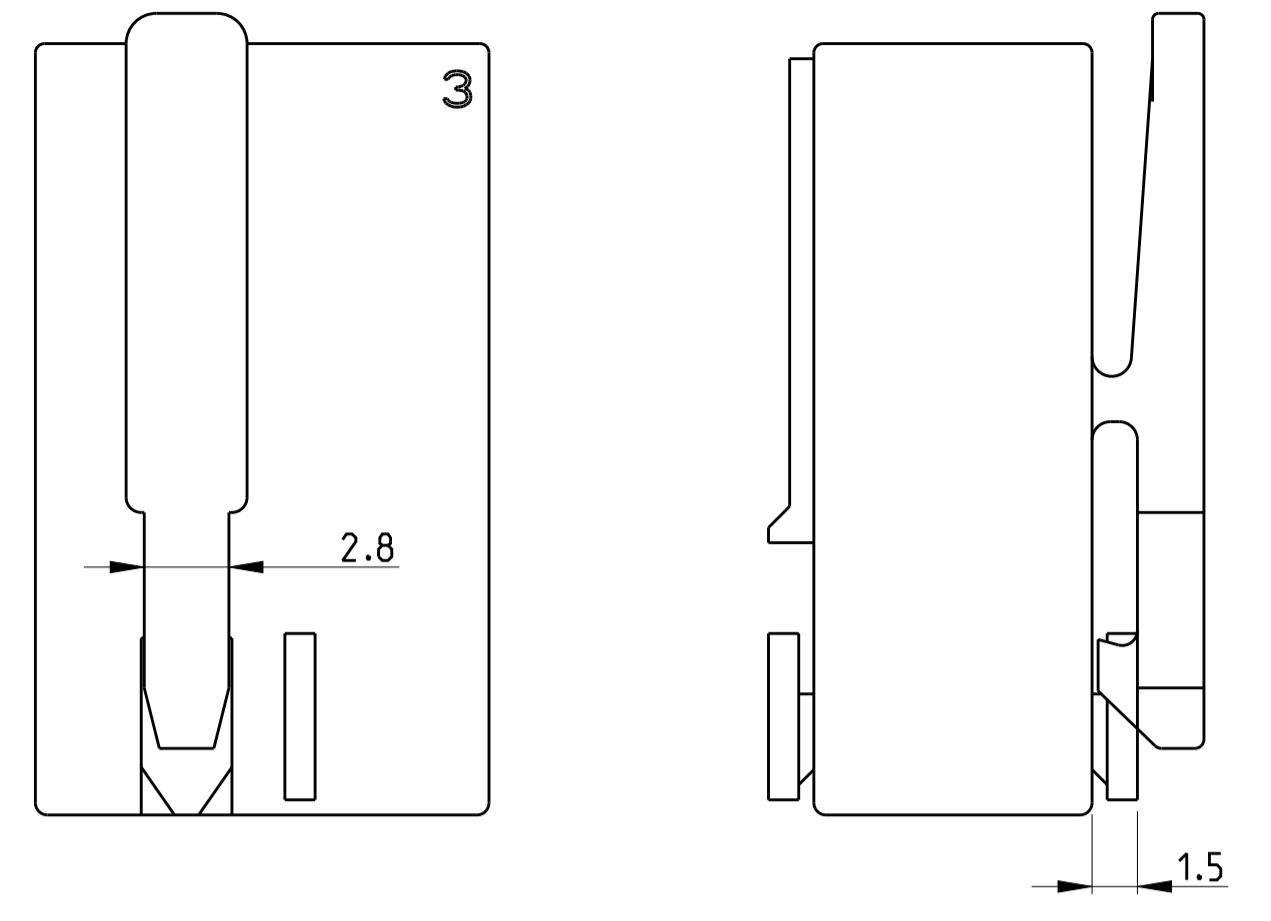


SECTION A-A / Schnitt A-A

SECTION B-B / Schnitt B-B

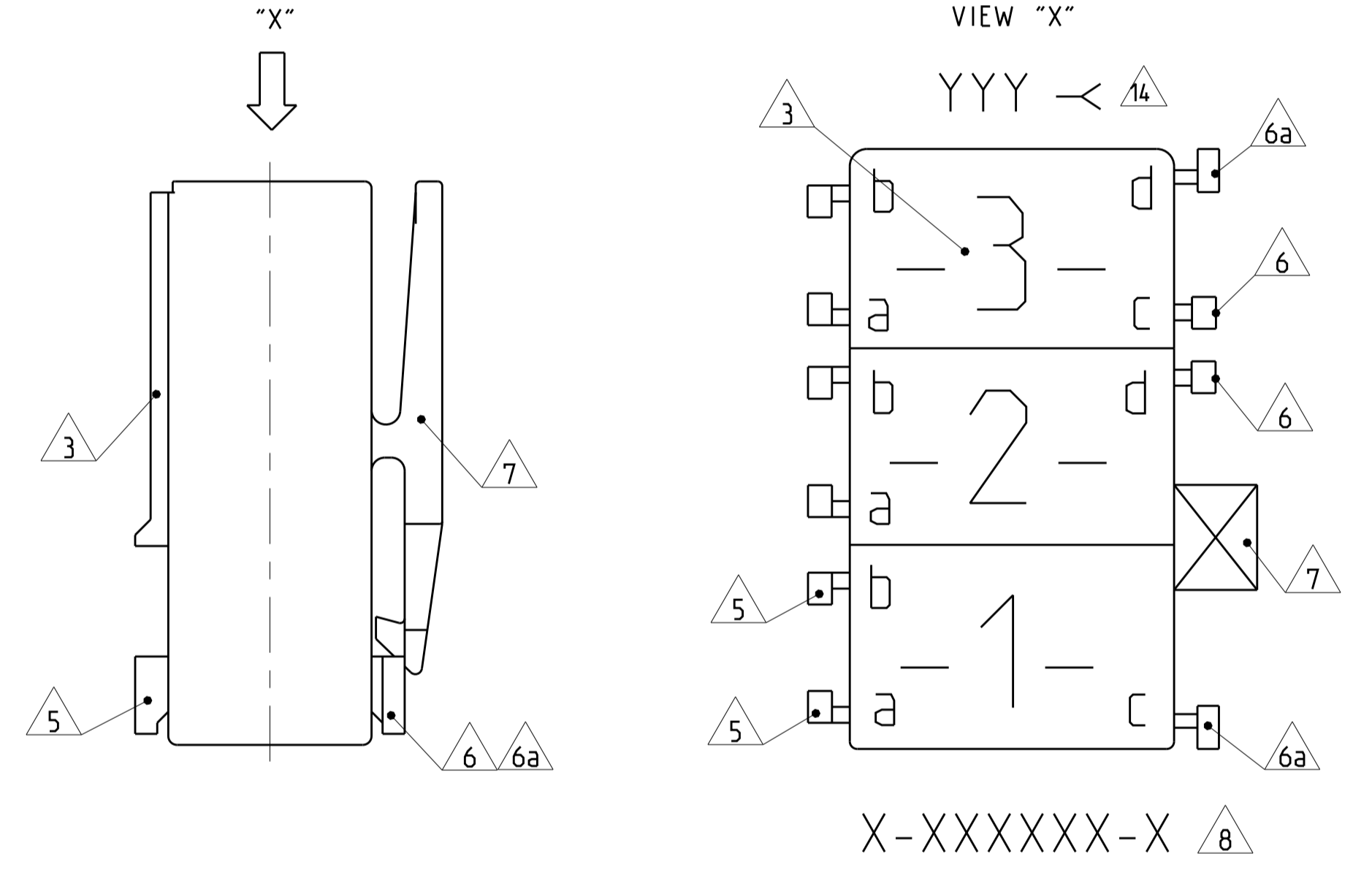
THIS DRAWING IS A CONTROLLED DOCUMENT.		DWN: Kishor M. 18-10-07	
DIMENSIONS: mm		CHK: K. Murtz 18-10-07	
TOLERANCES UNLESS OTHERWISE SPECIFIED:		APVD: T. Klenner 18-10-07	NAME: STANDARD TIMER HSG. RAST 5 MARK II Standard Timer Gehäuse RAST 5 Mark II
0 PLC ±0.2	1 PLC ±0.2	PRODUCT SPEC 108-18049	SIZE: A1
2 PLC ±0.2	3 PLC ±0.2	APPLICATION SPEC	CAGE CODE: 00779
4 PLC ±0.2	5 PLC ±0.2	FINISH: *	DRAWING NO: 1241961
MATERIAL: SEE TABLE SHEET 2 OF 3		WEIGHT: -	RESTRICTED TO: -
Customer Drawing		SCALE: 5:1	SHEET 1 OF 3
		REV: C32	

ONLY 5-1241961-7, 1-1241961-9, 7-1241961-7



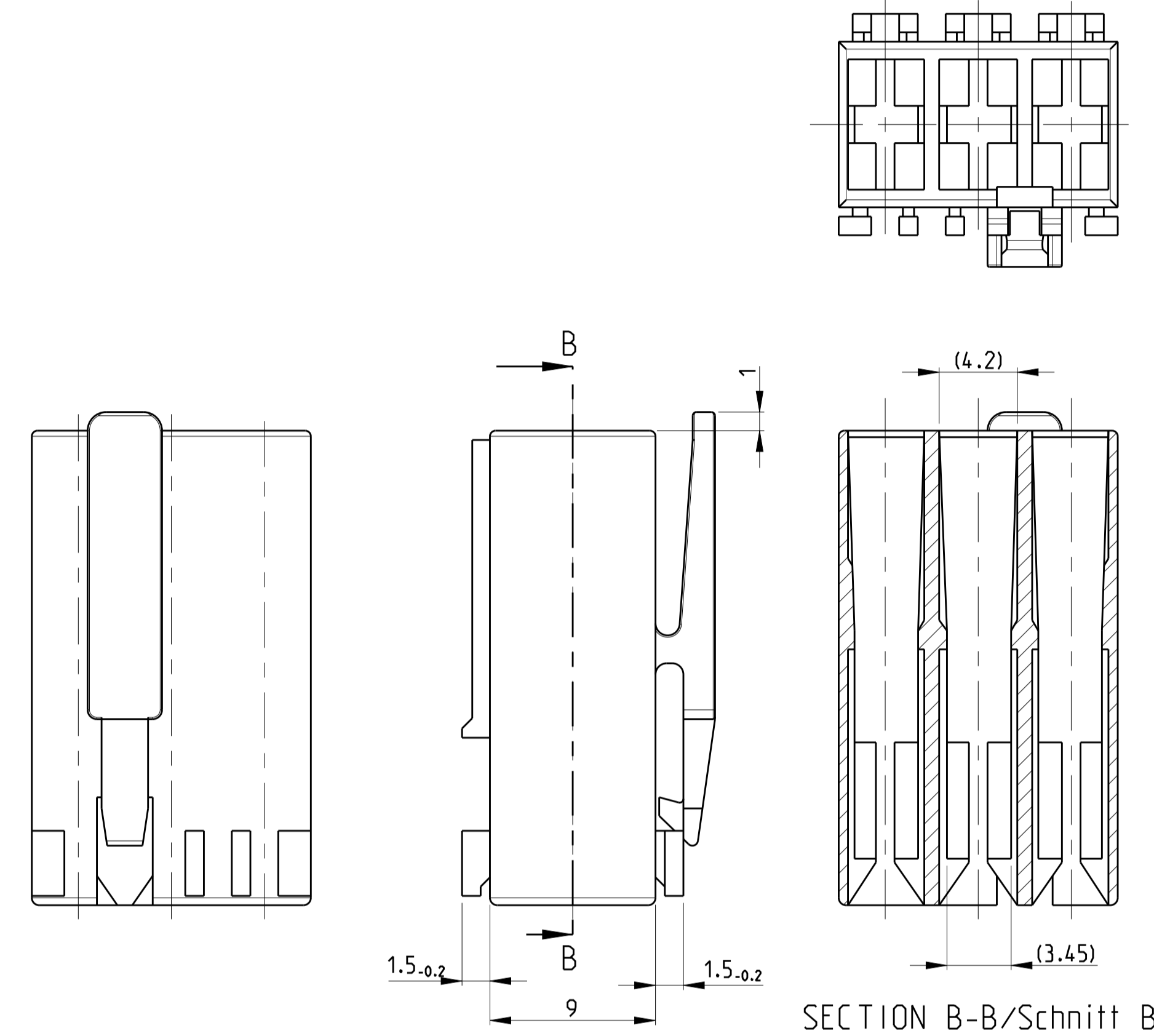
ALL OTHER DIMENSIONS SEE SHEET 1 OF 3

KEY LAYOUT DESCRIPTION



PAY ATTENTION !  
DIFFERENT CAVITY GEOMETRY AND LOCKING LATCH OVERHANG  
Bitte beachten !  
Unterschiedliche Kammergeometrie und Rasthakenuberstand.

FOR 2 POS. AND 3 POS.



ALL OTHER DIMENSIONS SEE SHEET 1 OF 3  
Alle anderen Masse siehe Seite 1 von 3

REV	DESCRIPTION	DATE	DWN	APVD
0-1241959-5		25		20
4-1241959-4		20		15
2-1241959-4		20		15
0-1241959-4		20		15
2-1241817-5		25		20
0-1241817-5		25		20
3-1241817-4		20		15
2-1241817-4		20		15
0-1241817-4		20		15
2-1241983-2		10		5
1-1241983-2		10		5
0-1241983-2		10		5
8-1241983-2		10		5
5-1241983-3		10		5
6-1241983-2		10		5
9-1241961-8		15		10
6-1241961-8		15		10
5-1241961-8		15		10
4-1241961-8		15		10
7-1241961-8		15		10
1-1241961-8		15		10
3-1241961-8		15		10
2-1241961-8		15		10
2-1241961-7		15		10
1-1241961-7		15		10
9-1241961-9		15		10
0-1241961-6		15		10
3-1241961-3		10		5
2-1241961-2		10		5
5-1241961-2		10		5
4-1241961-3		10		5
7-1241961-2		10		5
7-1241961-3		10		5
6-1241961-3		10		5
3-1241961-2		10		5
5-1241961-3		10		5
6-1241961-2		10		5
0-1241961-3		10		5
8-1241961-2		10		5
9-1241961-2		10		5
0-1241961-2		10		5
9-969484-9		15		10
2-969484-8		15		10
4-969484-8		15		10
0-969484-8		15		10
9-969484-7		15		10
8-969484-7		15		10
7-969484-7		15		10
6-969484-7		15		10
5-969484-7		15		10
4-969484-7		15		10
3-969484-7		15		10
2-969484-7		15		10
1-969484-7		15		10
0-969484-7		15		10
9-969484-6		15		10
8-969484-6		15		10
7-969484-6		15		10
6-969484-6		15		10
5-969484-6		15		10
4-969484-6		15		10
3-969484-6		15		10
2-969484-6		15		10
1-969484-6		15		10
0-969484-6		15		10
9-969484-3		10		5
8-969484-3		10		5
7-969484-3		10		5
6-969484-3		10		5
5-969484-3		10		5
4-969484-3		10		5
3-969484-3		10		5
2-969484-3		10		5
1-969484-3		10		5
0-969484-3		10		5
9-969484-2		10		5
8-969484-2		10		5
7-969484-2		10		5
6-969484-2		10		5
5-969484-2		10		5
4-969484-2		10		5
3-969484-2		10		5
2-969484-2		10		5
1-969484-2		10		5
0-969484-2		10		5
9-969484-1		10		5
8-969484-1		10		5
7-969484-1		10		5
6-969484-1		10		5
5-969484-1		10		5
4-969484-1		10		5
3-969484-1		10		5
2-969484-1		10		5
1-969484-1		10		5
0-969484-1		10		5

SPECIAL VERSION: UL94 V0 & GWT 750 NF & CTI 350						
5-1241961-7	3		15	10	PA66	NATURAL A
1-1241961-9	3	6	15	10		NATURAL A
7-1241961-7	3		15	10		NATURAL A

SPECIAL VERSION: UL94 V2 & GWT 750 NF						
6-2178575-7	3	4	15	10	PA6 GF15	NATURAL A

SPECIAL VERSION: UL94 V0 & GWT 750 NF						
3-2178412-7	3		15	10	PA66	NATURAL 1
4-2178412-7	3	6	15	10	UL94 V0 & GWT 750 NF	NATURAL 1
8-2178412-2	2		10	5		NATURAL 1

UL94 V0 & GWT 750 NF						
2315717-1	2		10	5		NATURAL 1
2315717-2	2		10	5		NATURAL 1
2315717-3	2		10	5		NATURAL 1
2315717-4	4	6	20	15	PA66	NATURAL 1
2315717-5	4		20	15	UL94 V0 & GWT 750 NF	NATURAL 1
2315717-6	3		15	10		NATURAL 1
2315717-7	3		15	10		NATURAL 1

SPECIAL MATERIAL						
1955507-4	4		20	15	PA66	NATURAL 1
1955506-2	2	6	10	5	UL 94 V0	NATURAL 1

PART NO	POS	DIMENSION C	DIM A	DIM B	MATERIAL	COLOUR /Farbe	REV./Rev.
6-1241961-7	3		15	10	PA 6 UL94V-2	NATURAL	1
4-1241961-7	3		15	10	PA 6 UL94V-2	NATURAL	A
3-1241961-7	3	4	15	10	PA 6 UL94V-2	NATURAL	A
1-1955422-7	3		15	10	PA 66 UNFILLED UL94 V0	NATURAL	A
5-1955422-7	3		15	10	PA 66 UNFILLED UL94 V0	NATURAL	A
4-1955422-3	2	6	10	5	PA 66 UNFILLED UL94 V0	NATURAL	A
2-1241817-3	3	4 or 6	15	10	PA 66 UL94 V-2	Green	E
0-1955422-6	3		15	10	PA 66 UNFILLED UL94 V0	NATURAL	A
8-1241961-8	3		15	10			C
0-1241961-8	3		15	10	PA 6 UL94V-2	natural	A
8-1241961-3	2		10	5			C
3-1241961-1	2		10	5	PA 6 UL94 V-2	NATURAL	C
0-1955422-1	2		10	5	PA 66 UNFILLED UL94 V0	NATURAL	A

THIS DRAWING IS A CONTROLLED DOCUMENT.

DIMENSIONS: mm

TOLERANCES UNLESS OTHERWISE SPECIFIED:

0 PLC	±0.2
1 PLC	±0.2
2 PLC	±0.2
3 PLC	±0.2
4 PLC	±0.2
ANGLES	±0.1
FINISH	★*

MATERIAL: SEE TABLE SHEET 2 OF 3

WEIGHT: -

Customer Drawing

DATE: 18-10-07

CHK: K. Muriz

APVD: T. Klenner

PRODUCT SPEC: 108-18049

APPLICATION SPEC:

SIZE: A1

CAGE CODE: 00779

DRAWING NO: 1241961

RESTRICTED TO: -

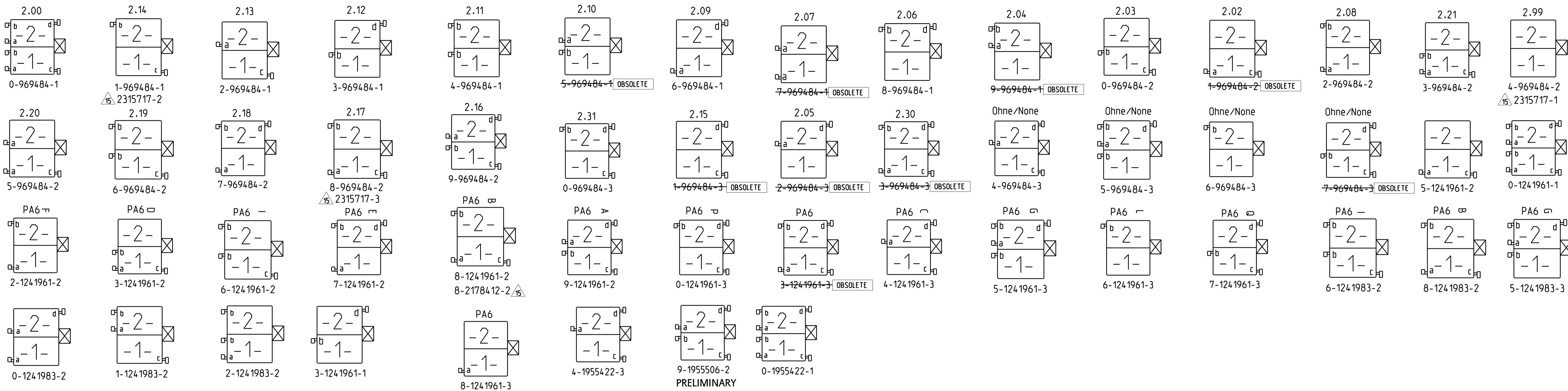
SCALE: 5:1

SHEET: 2 OF 3

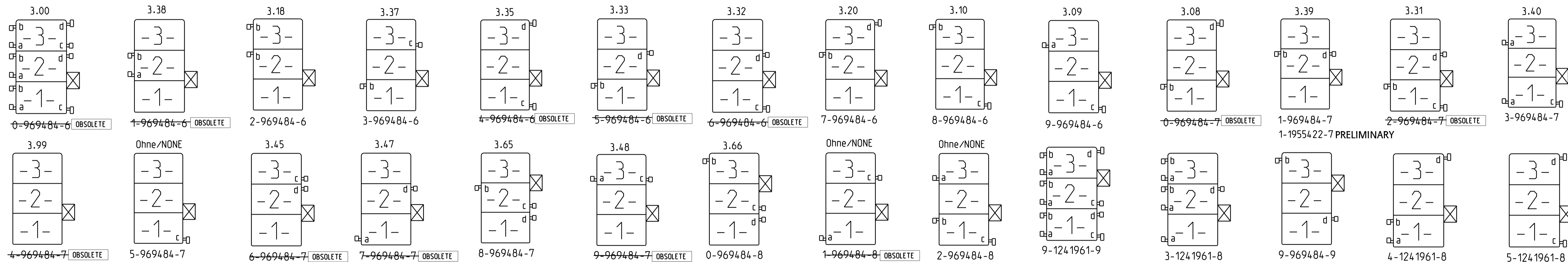
REV: C

4805 (3/11)

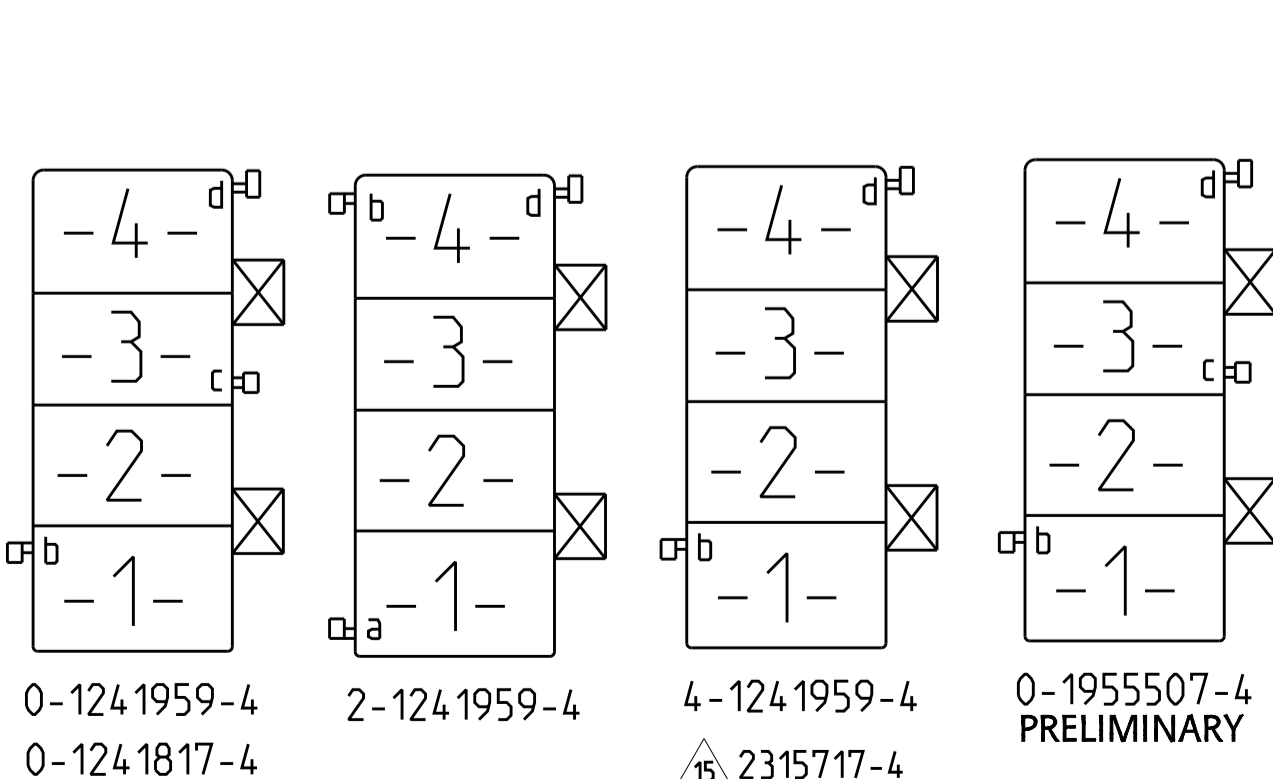
### 2 POSITION VARIANTS



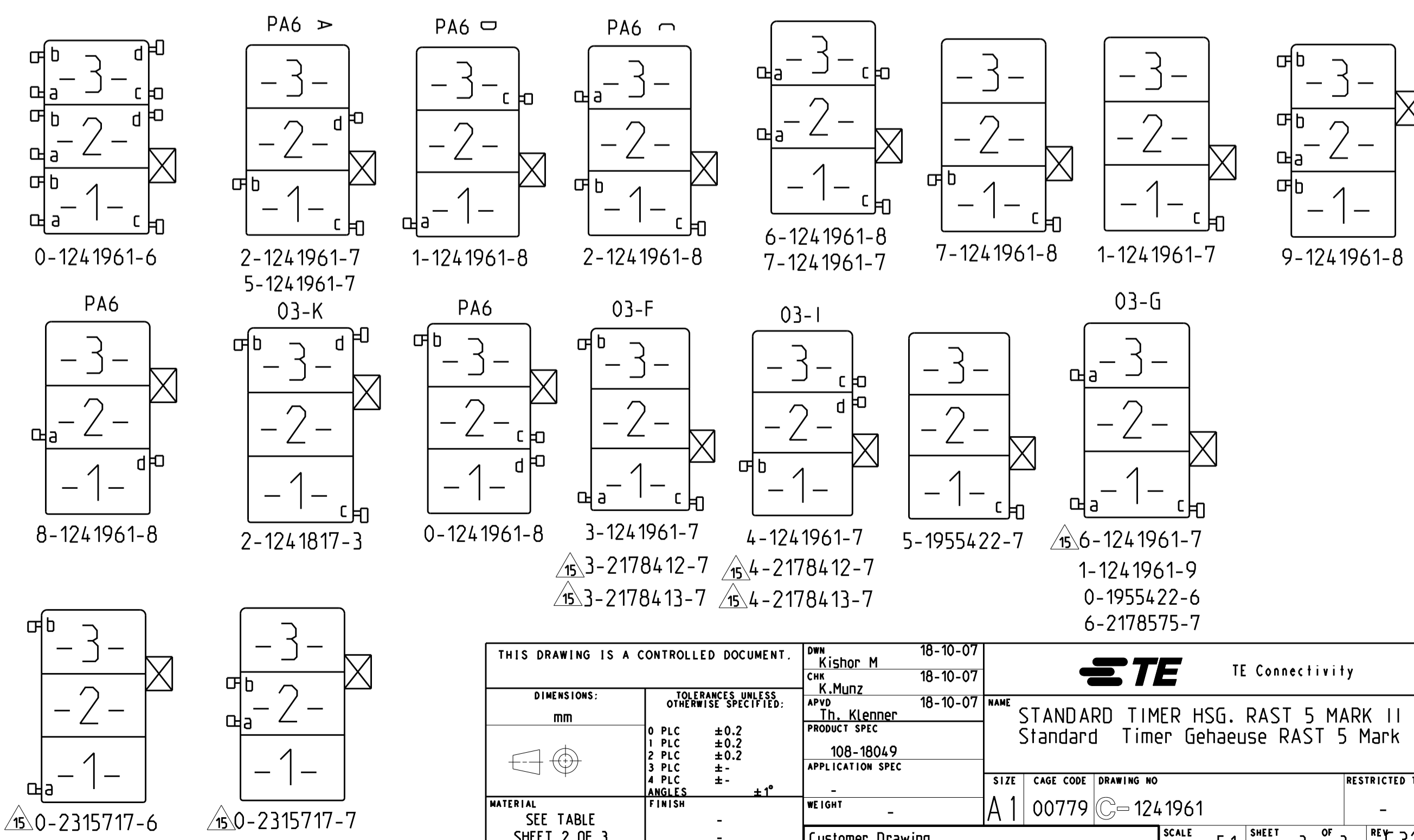
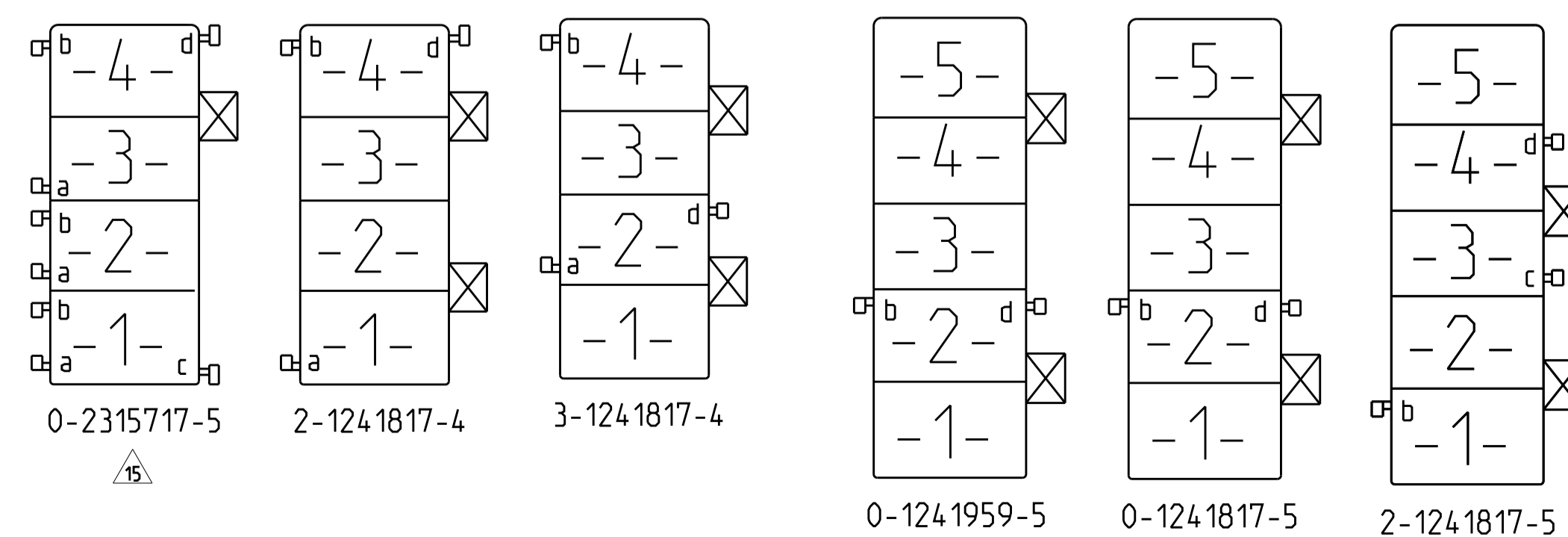
### 3 POSITION VARIANTS



### 4 POSITION VARIANTS



### 5 POSITION VARIANTS



THIS DRAWING IS A CONTROLLED DOCUMENT.		OWN: Kishor M. 18-10-07	 TE Connectivity
DIMENSIONS: mm		CHK: K. Muriz 18-10-07	
TOLERANCES UNLESS OTHERWISE SPECIFIED:		APVD: T. Klenner 18-10-07	NAME: STANDARD TIMER HSG. RAST 5 MARK II Standard Timer Gehäuse RAST 5 Mark II
0 PLC ±0.2		PRODUCT SPEC: 108-18049	
1 PLC ±0.2		APPLICATION SPEC: -	SIZE: A1
2 PLC ±0.2		WEIGHT: -	CAGE CODE: 00779
3 PLC ±0.2		Customer Drawing	DRAWING NO: 1241961
4 PLC ±0.2		SCALE: 5:1	SHEET: 3 of 3
ANGLES: -		REVISIONS: -	REV: C32
FINISH: -			