

4

3

2

1

THIS DRAWING IS UNPUBLISHED.

RELEASED FOR PUBLICATION

© COPYRIGHT

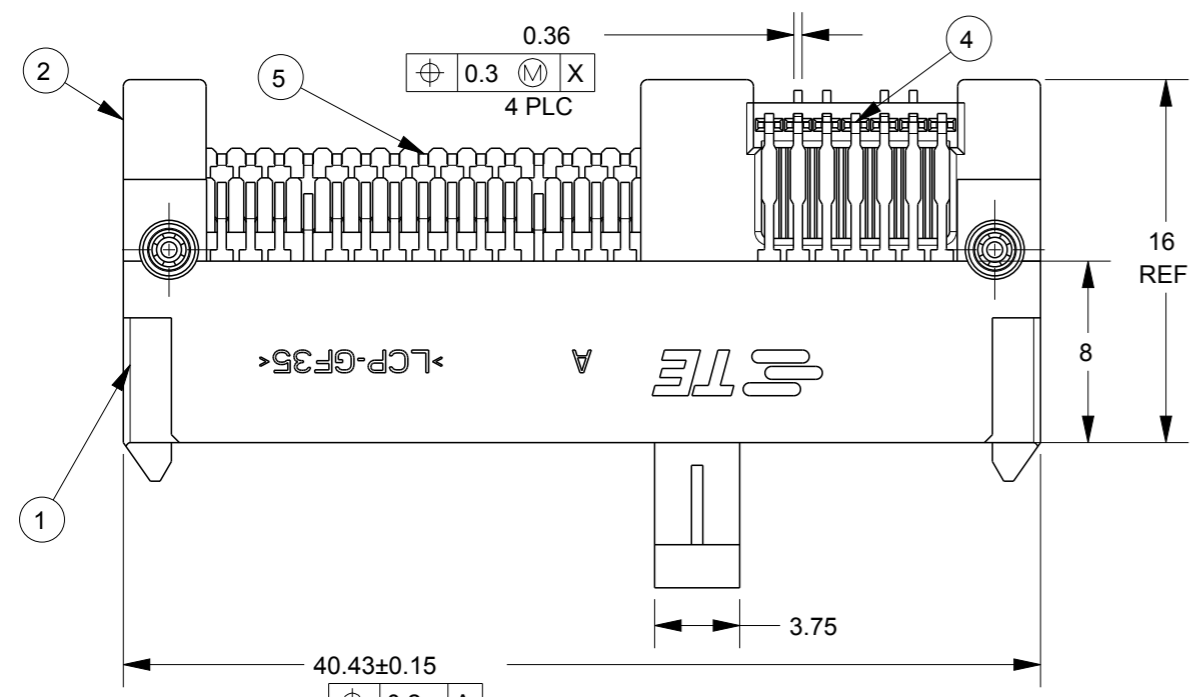
ALL RIGHTS RESERVED.

LOC
DY

DIST
-

REVISIONS

P	LTR	DESCRIPTION	DATE	DWN	APVD
C		ECR-12-013539	6AUG2012	VP	HK



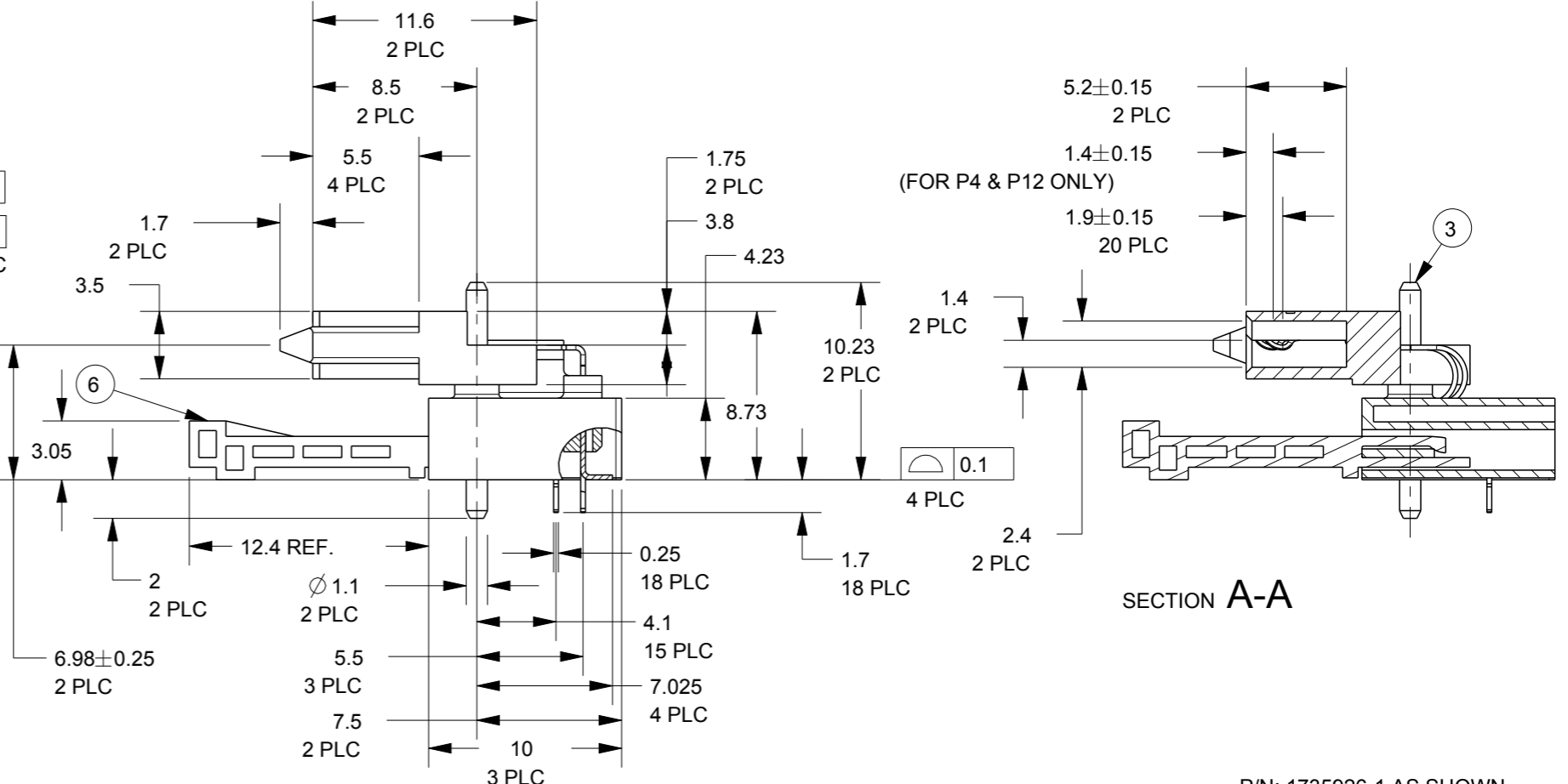
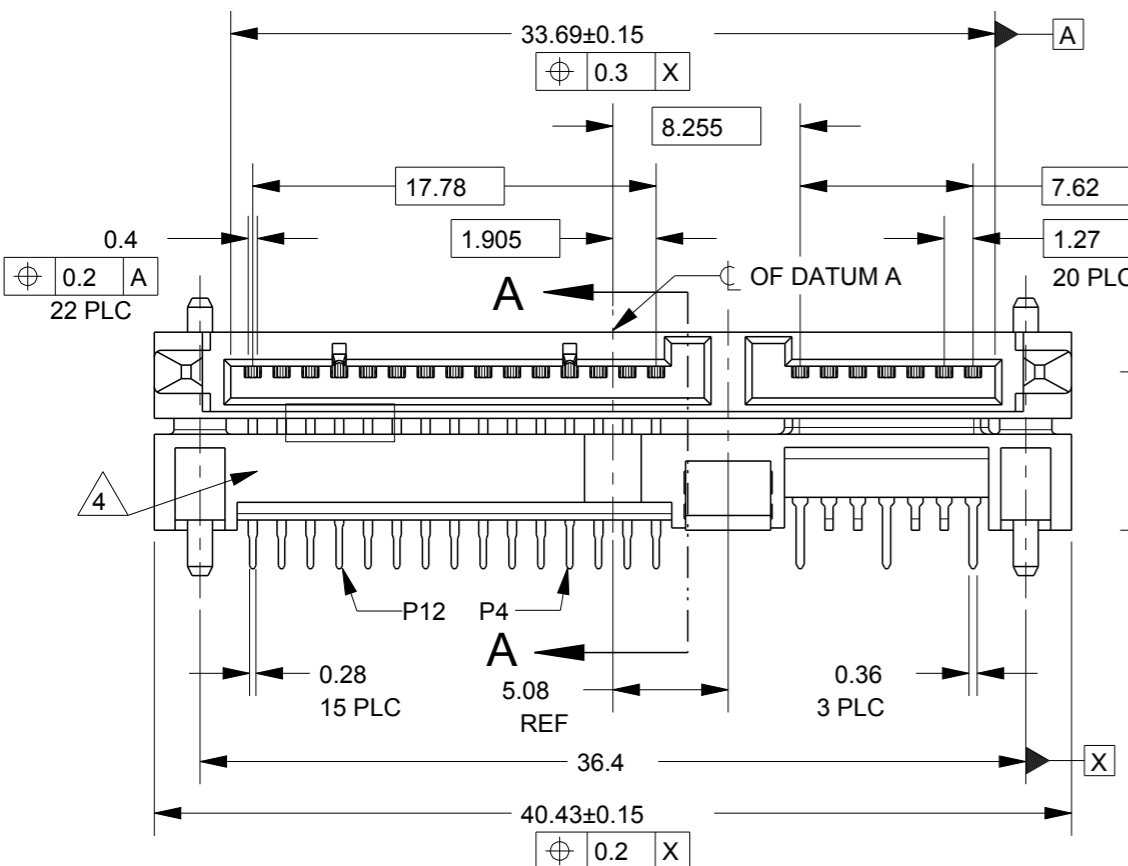
PART LIST	ITEM NO
CAP	6
POWER CONTACT	5
SIGNAL CONTACT	4
PIN	3
LOWER HOUSING	2
UPPER HOUSING	1

1 MATERIAL:
 HOUSING & CAP: THERMOPLASTIC HIGH TEMP., UL94V-0,
 COLOR: BLACK
 CONTACT: PHOSPHOR BRONZE
 PIN: BRASS
 EMBOSS TAPE: PS, COLOR: CLEAR
 COVER TAPE: PET

2 FINISH:
 CONTACT: 0.2µm GOLD PLATING ON CONTACT AREA
 2~5µm MATTE TIN PLATING ON SOLDER TAILS
 1.27µm NICKEL UNDERPLATED OVER ALL
 PIN: 2~5µm MATTE TIN PLATING OVER ALL
 1.27µm NICKEL UNDERPLATED OVER ALL

3 PIN MUST BE SOLDERED WITH PCB

4 DATE CODE AND ASSY MACHINE ID

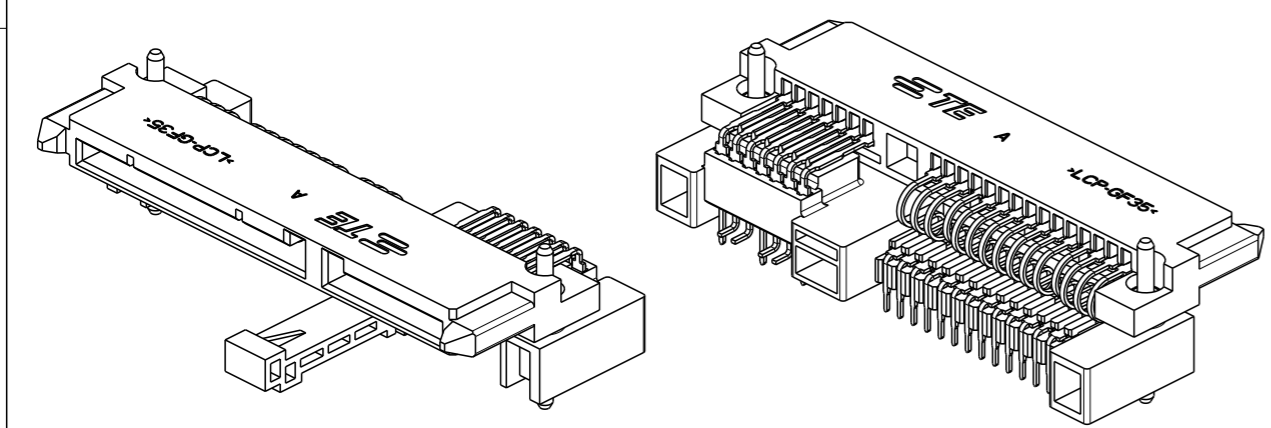
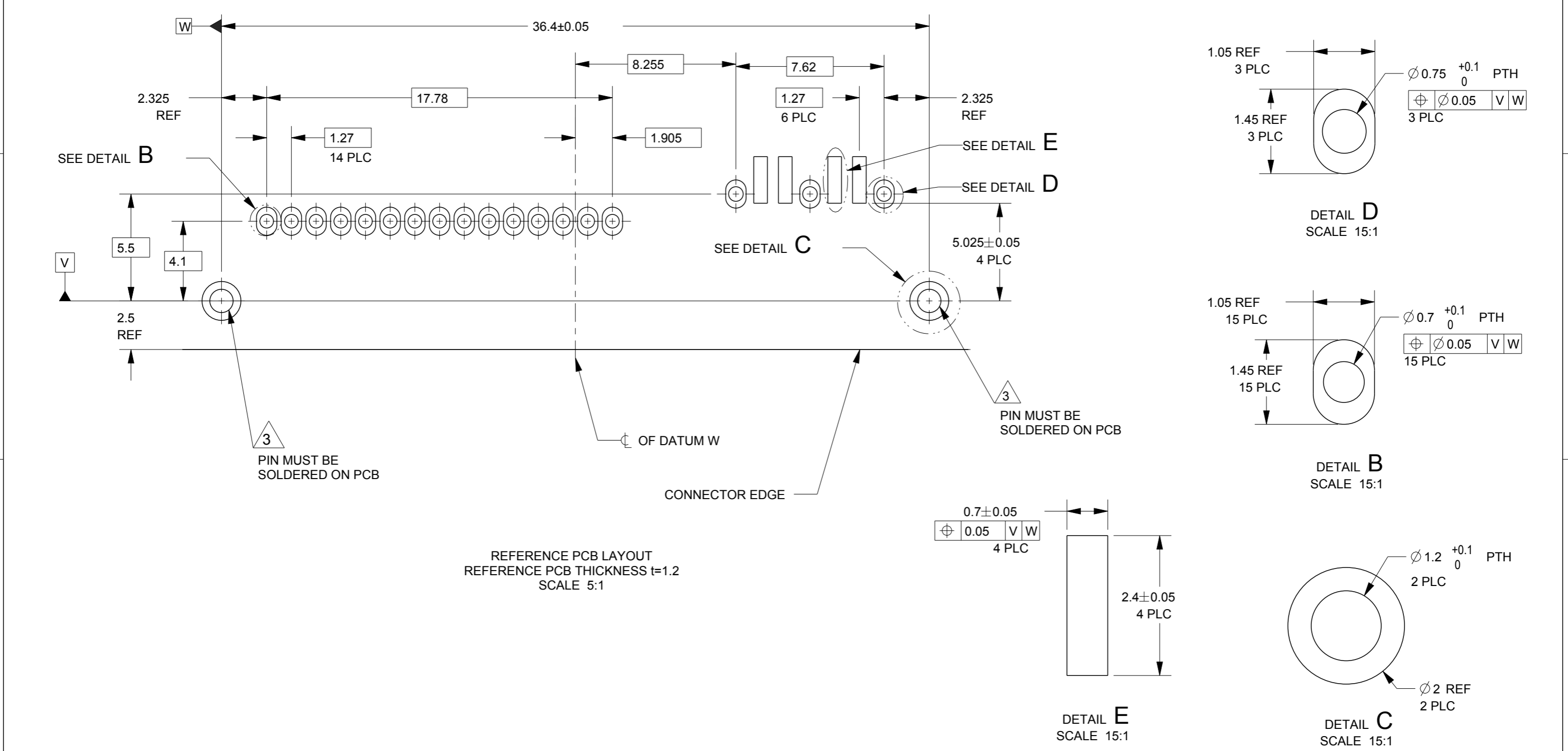


P/N: 1735926-1 AS SHOWN

THIS DRAWING IS A CONTROLLED DOCUMENT.		DWN 30MAY2011 JASON CHOW	TE Connectivity													
DIMENSIONS: mm		CHK SF LEONG														
TOLERANCES UNLESS OTHERWISE SPECIFIED:		APVD SF LEONG	NAME REC ASSY A-FREE SATA H6.98 6 GBPS													
<table border="1"> <tr> <td>0 PLC</td> <td>±0.2</td> </tr> <tr> <td>1 PLC</td> <td>±0.2</td> </tr> <tr> <td>2 PLC</td> <td>±0.2</td> </tr> <tr> <td>3 PLC</td> <td>±0.2</td> </tr> <tr> <td>4 PLC</td> <td>±0.2</td> </tr> <tr> <td>ANGLES</td> <td>±3°</td> </tr> </table>		0 PLC	±0.2	1 PLC	±0.2	2 PLC	±0.2	3 PLC	±0.2	4 PLC	±0.2	ANGLES	±3°	PRODUCT SPEC 108-78274	SIZE A3	
0 PLC	±0.2															
1 PLC	±0.2															
2 PLC	±0.2															
3 PLC	±0.2															
4 PLC	±0.2															
ANGLES	±3°															
MATERIAL 1		FINISH 2	APPLICATION SPEC -	CAGE CODE 00779												
		WEIGHT 3.04g	DRAWING NO 1735926	RESTRICTED TO -												
		CUSTOMER DRAWING	SCALE 4:1	SHEET 1 OF 3												
				REV C												

THIS DRAWING IS UNPUBLISHED. RELEASED FOR PUBLICATION
 © COPYRIGHT ALL RIGHTS RESERVED.

LOC	DIST	REVISIONS					
DY	-	P	LTR	DESCRIPTION	DATE	DWN	APVD
				SEE SHEET 1			



THIS DRAWING IS A CONTROLLED DOCUMENT.		DWN		 TE Connectivity			
DIMENSIONS: mm		CHK					
TOLERANCES UNLESS OTHERWISE SPECIFIED:		APVD					
0 PLC ±0.2 1 PLC ±0.2 2 PLC ±0.2 3 PLC ±0.2 4 PLC ±0.2 ANGLES ±3°		PRODUCT SPEC					
MATERIAL		FINISH		NAME			
				REC ASSY A-FREE SATA H6.98 6 GBPS			
		WEIGHT		SIZE	CAGE CODE	DRAWING NO	RESTRICTED TO
				A3	00779	C-1735926	-
CUSTOMER DRAWING				SCALE	SHEET	OF	REV
				2:1	2	3	C

THIS DRAWING IS UNPUBLISHED.

RELEASED FOR PUBLICATION

© COPYRIGHT

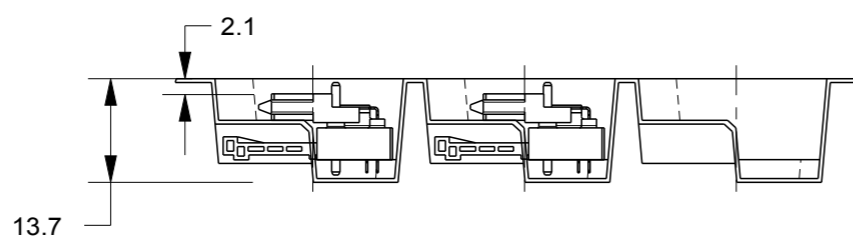
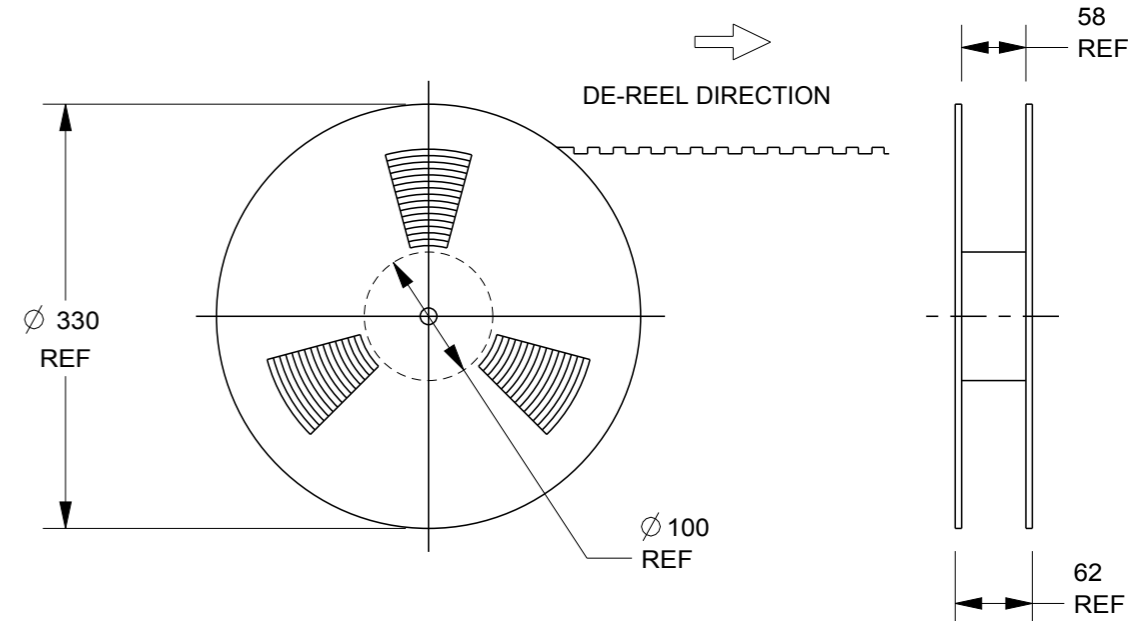
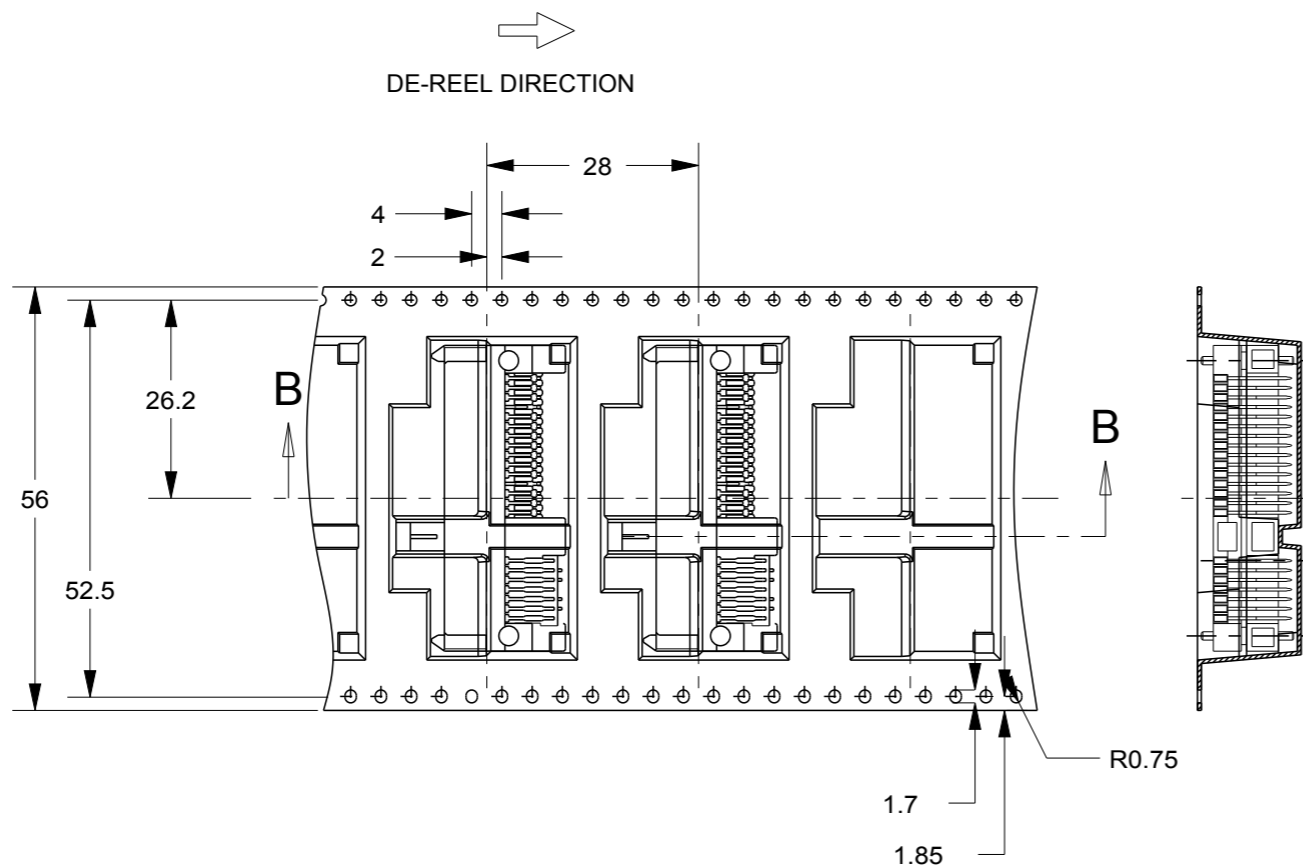
ALL RIGHTS RESERVED.

LOC
DY

DIST
-

REVISIONS

P	LTR	DESCRIPTION	DATE	DWN	APVD
		SEE SHEET 1			



B-B

THIS DRAWING IS A CONTROLLED DOCUMENT.		DWN			
DIMENSIONS: mm		CHK			
		APVD			
		PRODUCT SPEC			
TOLERANCES UNLESS OTHERWISE SPECIFIED:		NAME		REC ASSY	
0 PLC ±0.3		APPLICATION SPEC		A-FREE SATA H6.98	
1 PLC ±0.3		WEIGHT		6 GBPS	
2 PLC ±0.3		CUSTOMER DRAWING		SIZE	RESTRICTED TO
3 PLC ±0.3		SCALE 3:1		A3	-
4 PLC ±0.3		SHEET 3 OF 3		CAGE CODE	DRAWING NO
ANGLES ±3°		REV C		00779	C-1735926
FINISH		SCALE 3:1			
MATERIAL	1	SHEET 3 OF 3			