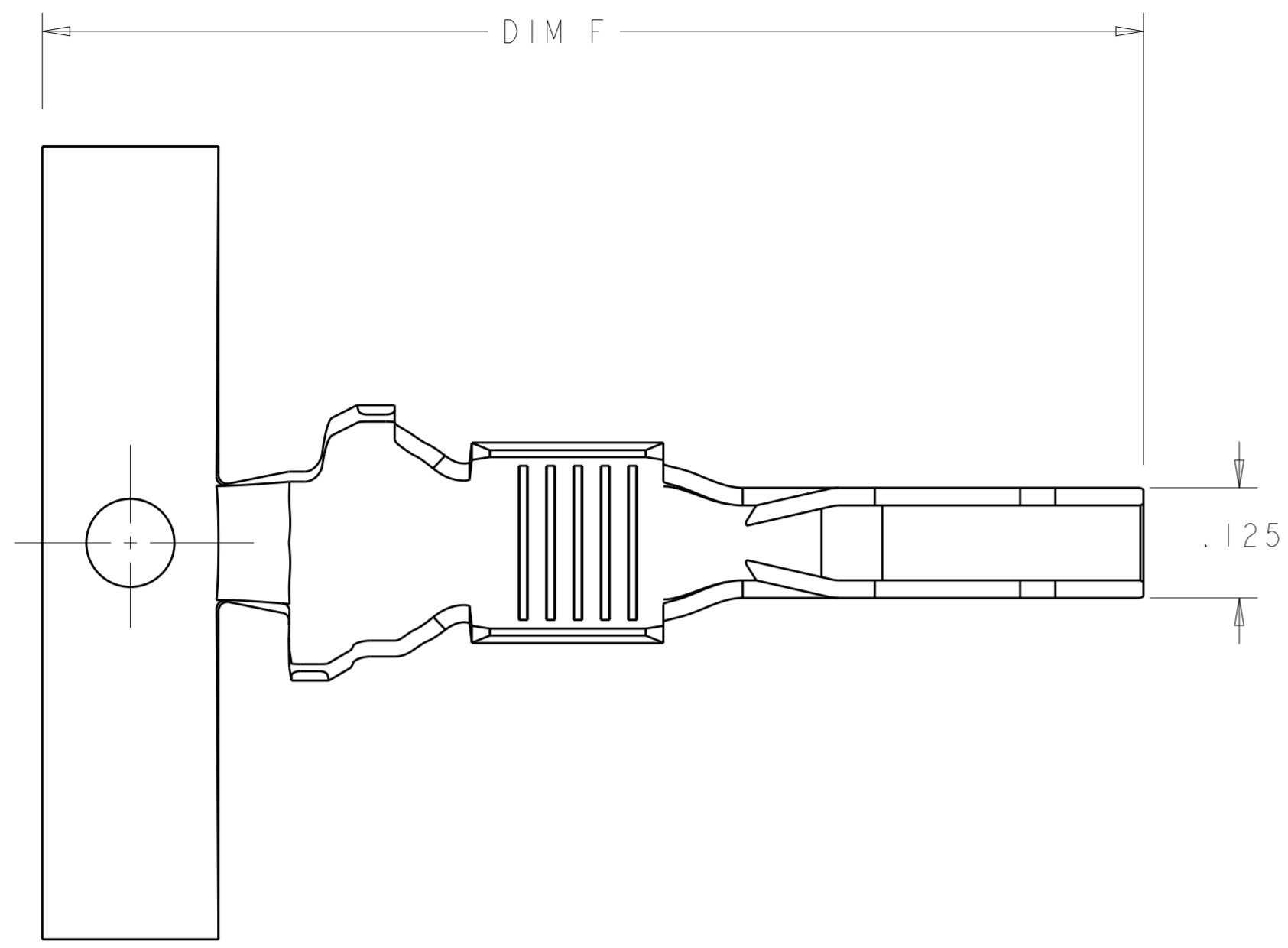
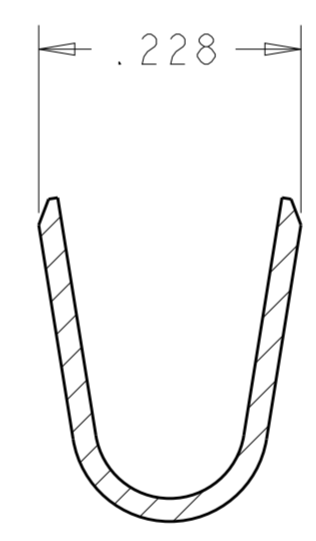
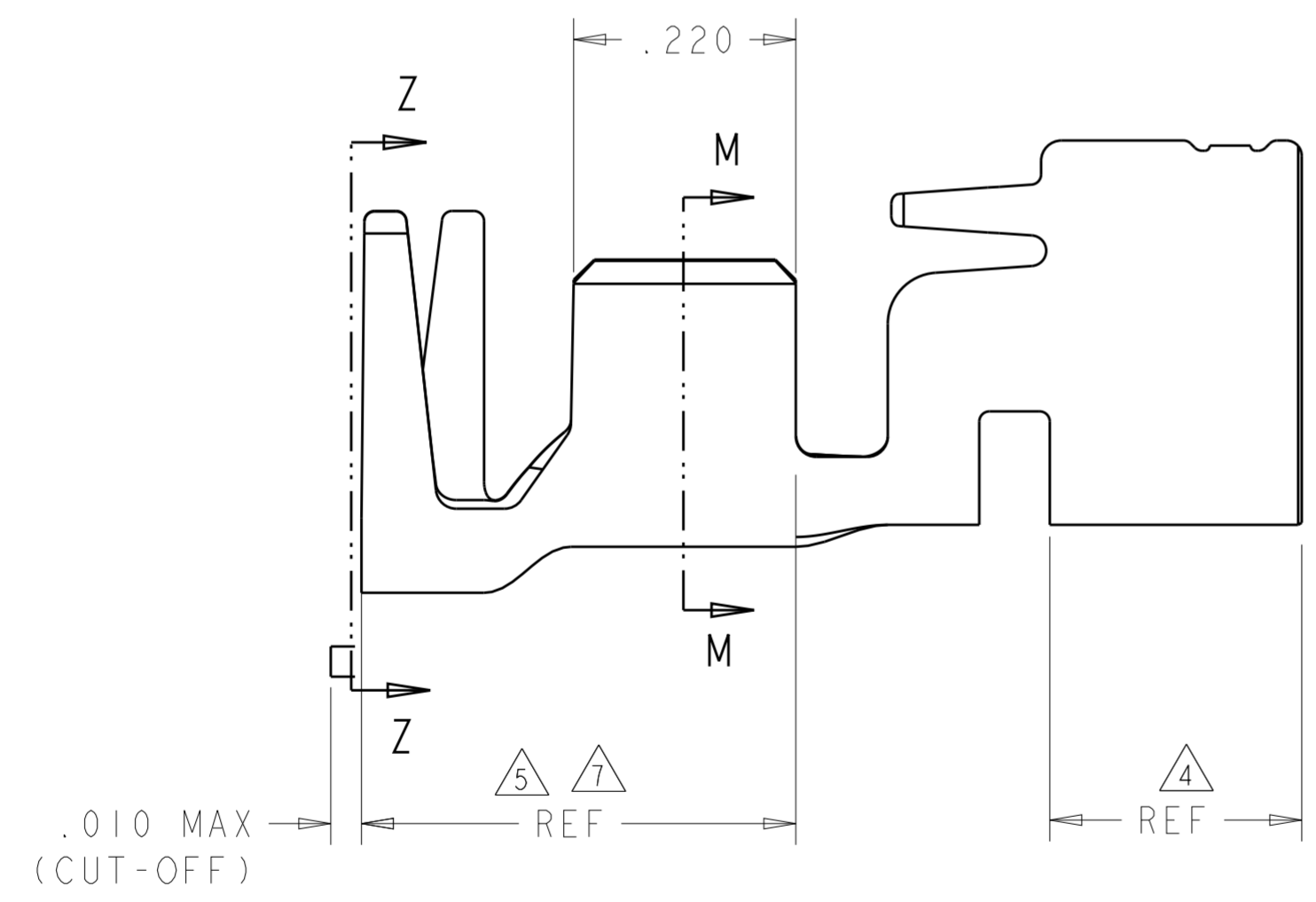


THIS DRAWING IS UNPUBLISHED. RELEASED FOR PUBLICATION 20
 © COPYRIGHT 20 BY TYCO ELECTRONICS CORPORATION. ALL RIGHTS RESERVED.

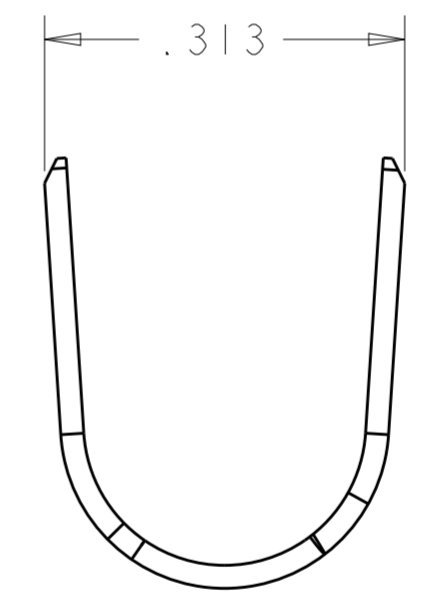
LOC	DIST	REVISIONS					
GP	00	P	LTR	DESCRIPTION	DATE	DWN	APVD
		I		REV PER OS12-0055-05	25JAN2005	RG	MP
		A		RELEASED PER OS15-0019-05	05APR2005	RG	PD
		B		REV PER OS15-0090-05	13MAY2005	RG	PD
		BI		REV PER ECO-14-002957	28FEB2014	OL	SZ



1. WIRE RANGE: 8 - 10 AWG
2. INSULATION RANGE: .176 - .272
- 3 FINISH: NICKEL PLATE ALL OVER 0.000050 MIN THICK
- 4 FINISH: NOBLE METAL PLATING ON CONTACT FUNCTIONAL AREA
- 5 FINISH: TIN IN AREA INDICATED 0.000050 - 0.000100 THK.
6. MATERIAL: HIGH CONDUCTIVITY COPPER ALLOY
- 7 FINISH: TIN-LEAD IN AREA INDICATED 0.000050 - 0.000100 THK.



SECTION M-M



SECTION Z-Z

1.200	3 4 5	STD	1-1600960-8
1.250	3 4 5	MFBL	1-1600960-7
1.200	3 4 7	STD	1-1600960-0
1.250	3 4 7	MFBL	1600960-9
DIM F REF	FINISH	DESCRIPTION	PART NUMBER

<small>THIS DRAWING IS A CONTROLLED DOCUMENT FOR TYCO ELECTRONICS CORPORATION. IT IS SUBJECT TO CHANGE AND THE CONTROLLING ENGINEERING ORGANIZATION SHOULD BE CONTACTED FOR THE LATEST REVISION.</small>		DWN R. GRZYBOWSKI CHK P. D'AMATO APVD P. D'AMATO	19 JAN 2005 tyco Electronics Tyco Electronics Harrisburg, PA 17105-3608
DIMENSIONS: INCHES 	TOLERANCES UNLESS OTHERWISE SPECIFIED: 0 PLC ± 1 PLC ±.10 2 PLC ±.05 3 PLC ±.005 4 PLC ±.0020 ANGLES ± FINISH	PRODUCT SPEC 108-2157 APPLICATION SPEC 114-13112 WEIGHT -	NAME VERTICAL BULKHEAD CABLE RECEPTACLE POWER CONTACT MULTI-BEAM XL SIZE CAGE CODE DRAWING NO RESTRICTED TO A200779 C-1600960 -
SEE NOTES	SEE NOTES	CUSTOMER DRAWING	SCALE 8:1 SHEET 1 OF 1 REV BI