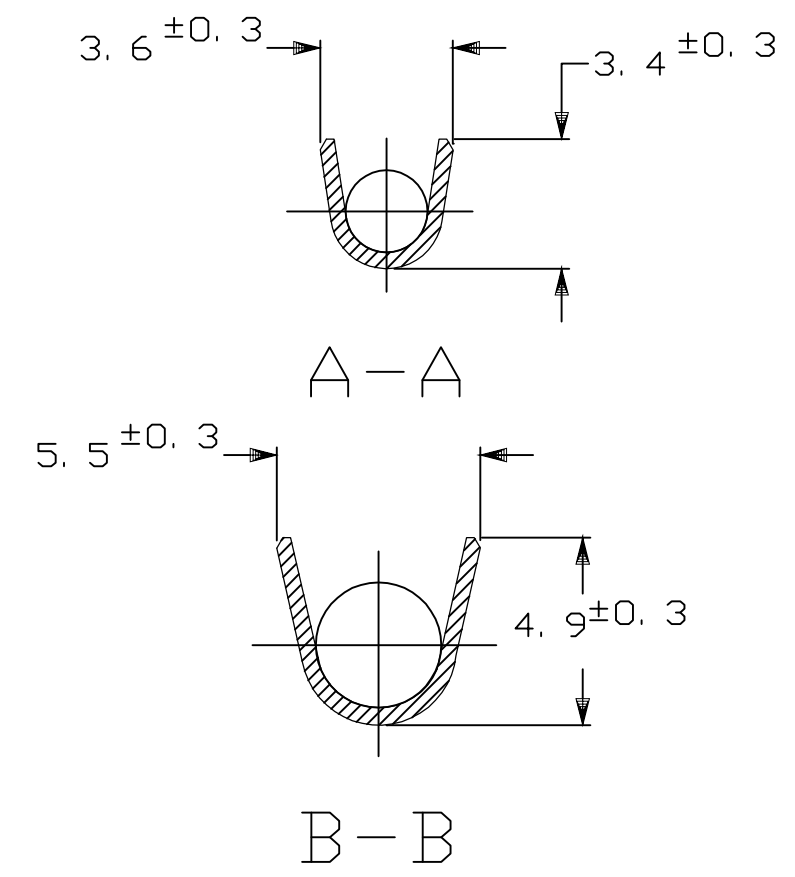
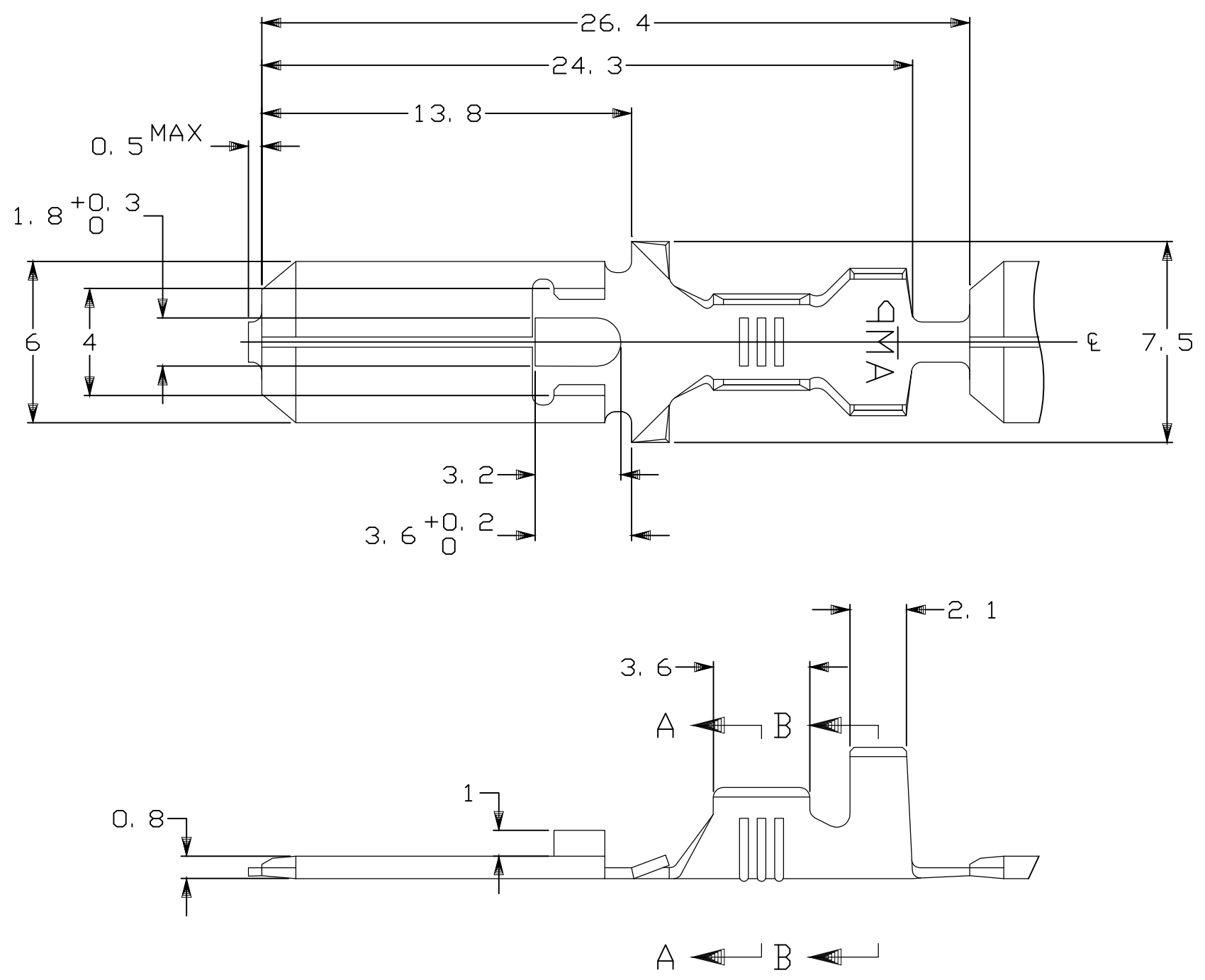


THIS DRAWING IS UNPUBLISHED. RELEASED FOR PUBLICATION  
 © COPYRIGHT - By - ALL RIGHTS RESERVED.

LOC	DIST	REVISIONS		
J	-	P	LTR	DESCRIPTION
				DATE
				DWN
				APVD
		C3	REVISED PER ECO-11-005030	11MAR11
				RK
				HMR



△ REVERSE REEL OF 170340-3  
 △ 170340-3、逆巻リール

△	---	PRE-TIN BRASS t0.41	---	1-170340-3
	---	PRE-TIN BRASS t0.41	179462-3	170340-3
	---	BRASS t0.41	---	170340-1
	FINISH	MATERIAL	LOOSE PIECE NUMBER	PART NUMBER

THIS DRAWING IS A CONTROLLED DOCUMENT.	
DIMENSIONS: 単位: 耗 mm	TOLERANCES UNLESS OTHERWISE SPECIFIED: 一般公差
0 PLC ± -	1 PLC 10 ± - ±0.2
2 PLC 30 ± - ±0.25	3 PLC ANGLE: ±3°
4 PLC ± -	ANGLES ± -
MATERIAL 材料 SEE TABLE	FINISH 仕上 SEE TABLE

DWN	19AUG98
A.YAMAGUCHI	
CHK	26AUG98
K.BETSUI	
APVD	26AUG98
K.BETSUI	
PRODUCT SPEC	108-5147
製品規格	
APPLICATION SPEC	114-5052
取付適用規格	
WEIGHT	0.76g

WIRE RANGE 包合電線断面積	<0.5~2.27mm SQ> #20~#14	INSULATION DIA 被覆外径	2.1~3.4 DIA
		TE Connectivity	
		NAME 名称	
250 SERIES TAB WITHOUT LATCH		250シリーズ ラッチ無しタブ	
SIZE	A3	CAGE CODE	00779
DRAWING NO 番号	C=170340		RESTRICTED TO
CUSTOMER DRAWING		SCALE 尺度	5:1
		SHEET	1 OF 1
		REV	C3