



# MINI COMPRESSION LOCK



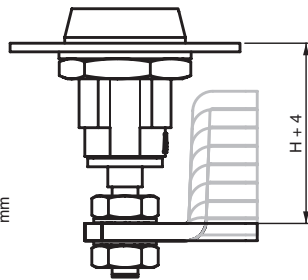
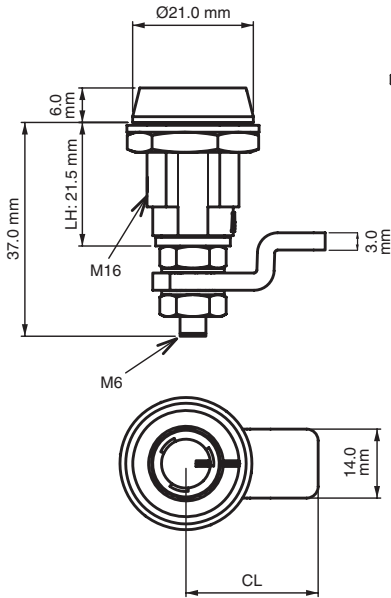
\*Example with cam. Cam sold separately.

### Specifications

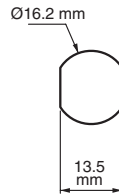
- Material:
  - Housing: Zinc Alloy (Zamak) DIN-EN 1774-ZnAl4Cu1
  - Driver: Zinc Alloy (Zamak) DIN-EN 1774-ZnAl4Cu1
  - Knob: PA6 GFR 30
  - Cam: Steel
  - Gasket: Rubber
  - Finish: Chrome or black coated
- 4 mm compression ratio

### Features

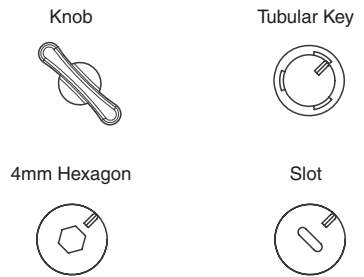
- Used for enclosures that require better sealing under vibrating conditions
- Provides noise isolation
- Driver and cam alternatives available
- Applications: Electric panels, machinery covers, railway applications, construction equipment



### Cut Out



### Drivers



### Dust Cap



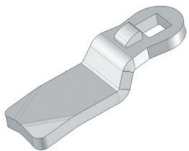
### Specifications

- Order separately
- Material: Polyurethane

### Item Number

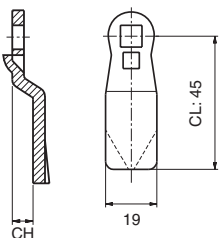
140A1

Item Number		Driver	Cam
Zinc Alloy / Chrome	Zinc Alloy / Black		
140116400	140126400	4mm Hexagon	Select Cam Below
140119300	140129300	Tubular key	Select Cam Below
140119400	140129400	Knob	Select Cam Below



Material: Steel  
Finish: Zinc plated  
Thickness: 4 mm

### Steel Cam



Item Number	CL	CH	H min	H max
30400606	0.0	23.0	26.2	29.4
30400607	1.0	23.0	25.2	28.4
30400608	3.8	23.0	22.4	25.6
30400609	7.0	23.0	19.2	22.4
30400610	10.2	23.0	16.0	19.2
30400611	13.4	23.0	12.8	16.0
30400612	16.6	23.0	9.6	12.8
30400613	19.8	23.0	6.4	9.6
30400614	23.0	23.0	3.2	6.4