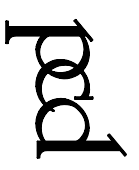


- NOTES:
- MATERIALS:
    - BODY: POLYETHERIMIDE PER MIL-P-46184.
    - GROMMET: SILICONE BLEND ELASTOMER PER ZZ-R-765.
    - CONTACT RETAINERS: STAINLESS STEEL 301, 1/2 HARD.
    - PIN CONTACTS: COPPER ALLOY, HARD GOLD PLATE PER MIL-G-45204, TYPE I, GRADE C, CLASS 1.
  - PERFORMANCE SPECIFICATIONS:
    - OPERATING TEMP: -65° TO 200°C
    - INSULATION RESISTANCE: 5000 MEGOHMS MIN @ 25°C
    - DIELECTRIC WITHSTANDING VOLTAGE: 1500 VRMS AT SEA LEVEL AND 200 VRMS AT 110,000 FT. ALTITUDE.
    - CURRENT RATING: 13 AMPS
    - VIBRATION AND SHOCK: PER MIL-T-81714, PARAGRAPH 3.5.5 AND 3.5.8.
    - MODULE SUPPLIED WITH SEVEN (7) M39029/22-193 SOCKET CONTACTS AND TWO (2) MS27488-16 SEALING PLUGS.

REV	ECN	APP'D
A	5132	

**SPECIFICATION DRAWING**

ENGR  
A. PATRIE 2/29/00

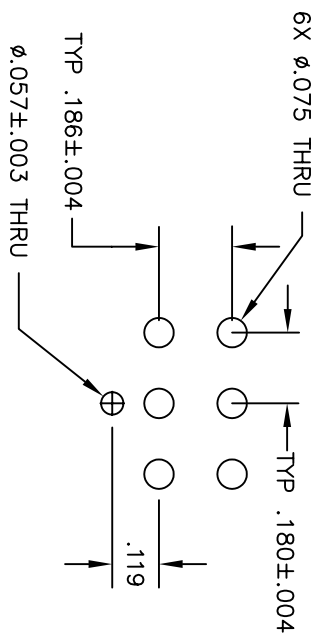


TITLE  
SOCKET MODULE, SIZE 16  
PCB MOUNT

RECOMMENDED PCB THICKNESS = 0.062 +/- .008

PART NO.	DIM "L"
SJP016000	.187
SJP016010	.250

**PRINTED CIRCUIT BOARD CONFIGURATION**



DIMENSIONS	ANSI Y14.5M UNITS: INCHES ACAD FILE
------------	---

TOLERANCES	.XX ±.01 .XXX ±.005 ANGLES ±2°
------------	--------------------------------------

PROJECTION	
------------	--

CHKD	APPD
------	------

SIZE	DWG NO.
A	SJP016000

CODE: 58982	SCALE: 2X	SHEET 1 OF 1
-------------	-----------	--------------

THIS DOCUMENT CONTAINS PROPRIETARY INFORMATION WHICH IS THE CONFIDENTIAL PROPERTY OF PCD, INC. PEABODY, MA, USA