

- NOTE 1. THIS PRODUCT IS DELIVERED SEPARATELY.
 2 AS SHOWN IN THE FIGURE, THIS PRODUCT SHALL BE USED ASSEMBLED TO A CONNECTOR UNIT 'DH3+B-17S'. A CLAMP 'DH-17-CMB(6.3)' IS NEEDED WHEN ASSEMBLING THE UNIT.
 3. THIS PRODUCT SHALL BE MATED WITH A RECEPTACLE 'DH60-17P+' WHICH ASSEMBLED LOCK SCREWS 'DH-LNA***'.
 4 A RECOMMENDED SCREW TIGHTENING TORQUE TO THE LOCK SCREWS TO BE FROM 0.06 TO 0.07 N · m.
 5 A RECOMMENDED SCREW TIGHTENING TORQUE FOR COVERS TO BE FROM 0.1 TO 0.15 N · m.

NO.	MATERIAL	FINISH . REMARKS	NO.	MATERIAL	FINISH . REMARKS
3	STAINLESS STEEL	PLATING : NICKEL 0.1 μm MIN	5	STEEL	TRIVALENT BLACK CHROMATE
2	PC	UL94V-0 (BLACK)	4	STEEL	OVER PLATING : NICKEL 2 μm MIN UNDER PLATING : COPPER 1 μm MIN M2×0.4
1					

UNITS	SCALE	COUNT	DESCRIPTION OF REVISIONS	DESIGNED	CHECKED	DATE
mm	2 : 1	3	DIS-E-002831	TU. TANIGUCHI	KN. ICHIKAWA	09.06.25

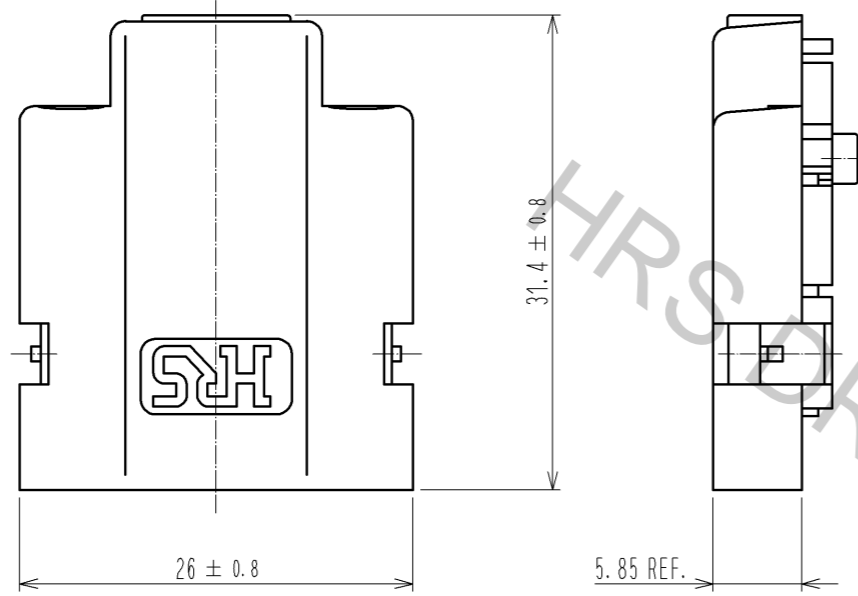
APPROVED	DATE	DRAWING NO.
A0. SUZUKI	09.04.16	EDC3-126586-00
CHECKED	DATE	PART NO.
MO. SHIMOYAMA	09.04.16	DH-17-CV1B
DESIGNED	DATE	CODE NO.
TS. ITO	09.04.16	CL244-0009-6-00
DRAWN	DATE	
TS. ITO	09.04.16	

1 2 3 4 5 6 7 8

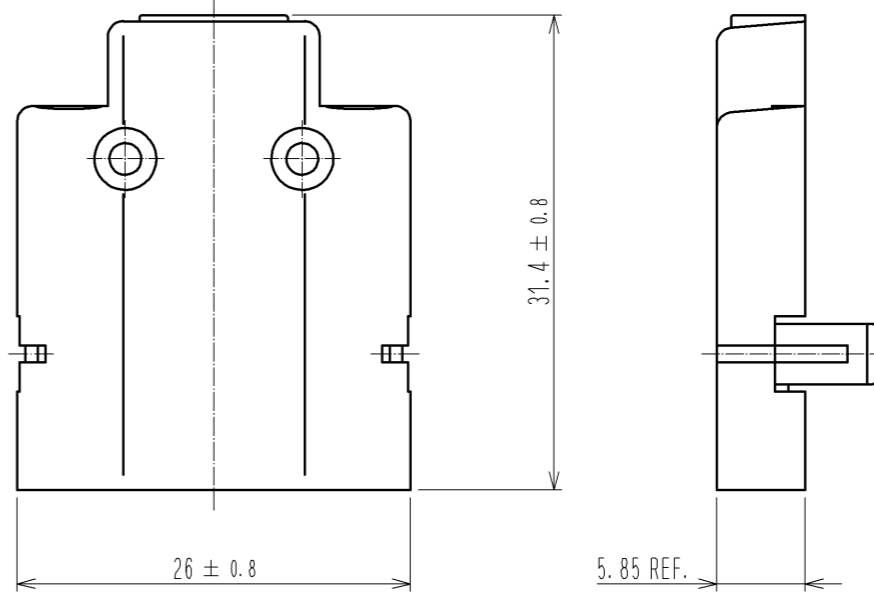
A
B
C
D
E
F

A
B
C
D
E
F

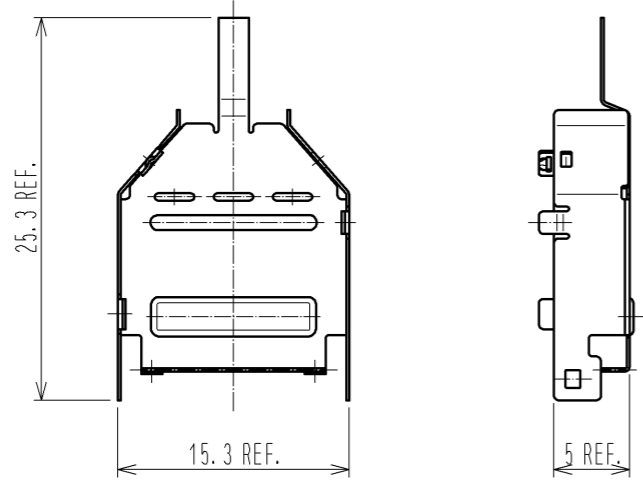
REF No. ①



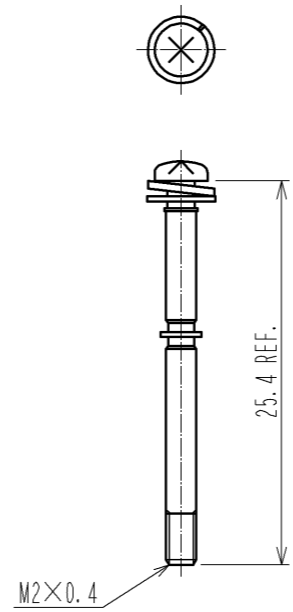
REF No. ②



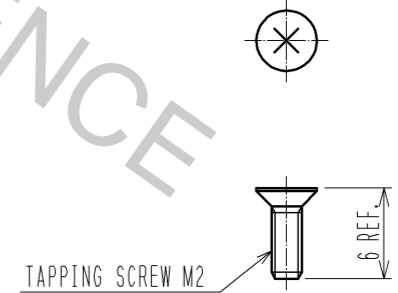
REF No. ③



REF No. ④



REF No. ⑤



HRS	DRAWING NO.	EDC3-126586-00	2/2
	PART NO.	DH-17-CV1B	
	CODE NO.	CL244-0009-6-00	