



**MICROCHIP**

---

**EVB-LAN9354  
Evaluation Board  
User's Guide**

---

---

**Note the following details of the code protection feature on Microchip devices:**

- Microchip products meet the specification contained in their particular Microchip Data Sheet.
- Microchip believes that its family of products is one of the most secure families of its kind on the market today, when used in the intended manner and under normal conditions.
- There are dishonest and possibly illegal methods used to breach the code protection feature. All of these methods, to our knowledge, require using the Microchip products in a manner outside the operating specifications contained in Microchip's Data Sheets. Most likely, the person doing so is engaged in theft of intellectual property.
- Microchip is willing to work with the customer who is concerned about the integrity of their code.
- Neither Microchip nor any other semiconductor manufacturer can guarantee the security of their code. Code protection does not mean that we are guaranteeing the product as "unbreakable."

Code protection is constantly evolving. We at Microchip are committed to continuously improving the code protection features of our products. Attempts to break Microchip's code protection feature may be a violation of the Digital Millennium Copyright Act. If such acts allow unauthorized access to your software or other copyrighted work, you may have a right to sue for relief under that Act.

---

Information contained in this publication regarding device applications and the like is provided only for your convenience and may be superseded by updates. It is your responsibility to ensure that your application meets with your specifications. MICROCHIP MAKES NO REPRESENTATIONS OR WARRANTIES OF ANY KIND WHETHER EXPRESS OR IMPLIED, WRITTEN OR ORAL, STATUTORY OR OTHERWISE, RELATED TO THE INFORMATION, INCLUDING BUT NOT LIMITED TO ITS CONDITION, QUALITY, PERFORMANCE, MERCHANTABILITY OR FITNESS FOR PURPOSE. Microchip disclaims all liability arising from this information and its use. Use of Microchip devices in life support and/or safety applications is entirely at the buyer's risk, and the buyer agrees to defend, indemnify and hold harmless Microchip from any and all damages, claims, suits, or expenses resulting from such use. No licenses are conveyed, implicitly or otherwise, under any Microchip intellectual property rights unless otherwise stated.

**Trademarks**

The Microchip name and logo, the Microchip logo, dsPIC, FlashFlex, flexPWR, JukeBlox, KEELOQ, KEELOQ logo, Kleer, LANCheck, MediaLB, MOST, MOST logo, MPLAB, OptoLyzer, PIC, PICSTART, PIC<sup>32</sup> logo, RightTouch, SpyNIC, SST, SST Logo, SuperFlash and UNI/O are registered trademarks of Microchip Technology Incorporated in the U.S.A. and other countries.

The Embedded Control Solutions Company and mTouch are registered trademarks of Microchip Technology Incorporated in the U.S.A.

Analog-for-the-Digital Age, BodyCom, chipKIT, chipKIT logo, CodeGuard, dsPICDEM, dsPICDEM.net, ECAN, In-Circuit Serial Programming, ICSP, Inter-Chip Connectivity, KleerNet, KleerNet logo, MiWi, MPASM, MPF, MPLAB Certified logo, MPLIB, MPLINK, MultiTRAK, NetDetach, Omniscient Code Generation, PICDEM, PICDEM.net, PICKit, PICTail, RightTouch logo, REAL ICE, SQI, Serial Quad I/O, Total Endurance, TSHARC, USBCheck, VariSense, ViewSpan, WiperLock, Wireless DNA, and ZENA are trademarks of Microchip Technology Incorporated in the U.S.A. and other countries.

SQTP is a service mark of Microchip Technology Incorporated in the U.S.A.

Silicon Storage Technology is a registered trademark of Microchip Technology Inc. in other countries.

GestIC is a registered trademark of Microchip Technology Germany II GmbH & Co. KG, a subsidiary of Microchip Technology Inc., in other countries.

All other trademarks mentioned herein are property of their respective companies.

© 2015, Microchip Technology Incorporated, Printed in the U.S.A., All Rights Reserved.

ISBN: 978-1-63277-588-7

**QUALITY MANAGEMENT SYSTEM  
CERTIFIED BY DNV  
= ISO/TS 16949 =**

*Microchip received ISO/TS-16949:2009 certification for its worldwide headquarters, design and wafer fabrication facilities in Chandler and Tempe, Arizona; Gresham, Oregon and design centers in California and India. The Company's quality system processes and procedures are for its PIC® MCUs and dsPIC® DSCs, KEELOQ® code hopping devices, Serial EEPROMs, microperipherals, nonvolatile memory and analog products. In addition, Microchip's quality system for the design and manufacture of development systems is ISO 9001:2000 certified.*

**Object of Declaration: EVB-LAN9354**

### EU Declaration of Conformity

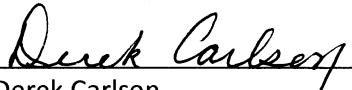
This declaration of conformity is issued by the manufacturer.

The development/evaluation tool is designed to be used for research and development in a laboratory environment. This development/evaluation tool is not a Finished Appliance, nor is it intended for incorporation into Finished Appliances that are made commercially available as single functional units to end users under EU EMC Directive 2004/108/EC and as supported by the European Commission's Guide for the EMC Directive 2004/108/EC (8<sup>th</sup> February 2010).

This development/evaluation tool complies with EU RoHS2 Directive 2011/65/EU.

For information regarding the exclusive, limited warranties applicable to Microchip products, please see Microchip's standard terms and conditions of sale, which are printed on our sales documentation and available at [www.microchip.com](http://www.microchip.com).

Signed for and on behalf of Microchip Technology Inc. at Chandler, Arizona, USA



Derek Carlson

VP Development Tools



Date

NOTES:

## Table of Contents

<b>Preface</b> .....	<b>7</b>
Introduction.....	7
Document Layout .....	7
Conventions Used in this Guide .....	8
The Microchip Web Site .....	9
Development Systems Customer Change Notification Service .....	9
Customer Support .....	9
Document Revision History .....	10
 <b>Chapter 1. Overview</b>	
1.1 Introduction .....	11
1.1.1 References .....	12
1.1.2 Terms and Abbreviations .....	12
 <b>Chapter 2. Board Details</b>	
2.1 Board Details .....	14
2.1.1 Power .....	14
2.1.2 Power-on Reset .....	15
2.1.3 Clock .....	15
 <b>Chapter 3. Board Configuration</b>	
3.1 Strap Options .....	16
3.1.1 Jumpers J4:J15 .....	16
3.1.1.1 GPIO/LED POL/LED Configurations .....	17
3.1.1.2 Serial Management Mode Configuration .....	18
3.1.1.3 EEPROM Size Configuration .....	18
3.1.1.4 Energy-Efficient Ethernet Configuration .....	18
3.1.1.5 1588 Enable Configuration .....	19
3.1.1.6 PHY Address Configuration .....	19
3.1.2 GPIO 6 & GPIO 7 Input and Output Configurations .....	19
3.1.3 Link Partner Duplex/Speed Configurations .....	19
3.1.4 P0 Configurations .....	20
3.1.5 RMIIX Clock Configurations .....	20
3.1.6 GPIO Header .....	21
3.1.7 I2C Aardvark Header .....	21
3.1.8 Copper and Fiber Mode Selections .....	21
3.1.8.1 Copper Mode .....	23
3.1.8.2 Fiber Mode .....	22
3.1.8.3 FX-LOS Fiber Mode Strap .....	23
3.2 LEDs .....	23
3.3 Test Points .....	23
3.4 Mechanicals .....	24

**Appendix A. EVB-LAN9354 Evaluation Board**

A.1 Introduction ..... 25

**Appendix B. EVB-LAN9354 Evaluation Board Schematics**

B.1 Introduction ..... 26

**Appendix C. Bill of Materials (BOM)**

C.1 Introduction ..... 34

**Worldwide Sales and Service ..... 38**

---

---

## Preface

---

---

### NOTICE TO CUSTOMERS

All documentation becomes dated, and this manual is no exception. Microchip tools and documentation are constantly evolving to meet customer needs, so some actual dialogs and/or tool descriptions may differ from those in this document. Please refer to our web site ([www.microchip.com](http://www.microchip.com)) to obtain the latest documentation available.

Documents are identified with a “DS” number. This number is located on the bottom of each page, in front of the page number. The numbering convention for the DS number is “DSXXXXA”, where “XXXX” is the document number and “A” is the revision level of the document.

For the most up-to-date information on development tools, see the MPLAB® IDE online help. Select the Help menu, and then Topics to open a list of available online help files.

## INTRODUCTION

This chapter contains general information that will be useful to know before using the EVB-LAN9354. Items discussed in this chapter include:

- [Document Layout](#)
- [Conventions Used in this Guide](#)
- [The Microchip Web Site](#)
- [Development Systems Customer Change Notification Service](#)
- [Customer Support](#)
- [Document Revision History](#)

## DOCUMENT LAYOUT

This document describes how to use the EVB-LAN9354 Evaluation Board as a development tool for the LAN9354 three-port 10/100 managed Ethernet switch. The manual layout is as follows:

- **Chapter 1. “Overview”** – Shows a brief description of the EVB-LAN9354 Evaluation Board.
- **Chapter 2. “Getting Started”** – Includes instructions on how to get started with the EVB-LAN9354 Evaluation Board.
- **Chapter 3. “Board Configuration”** – Provides information about the EVB-LAN9354 Evaluation Board battery charging features.
- **Appendix A. “EVB-LAN9354 Evaluation Board”** – This appendix shows the EVB-LAN9354 Evaluation Board.
- **Appendix B. “EVB-LAN9354 Evaluation Board Schematics”** – This appendix shows the EVB-LAN9354 Evaluation Board schematics.
- **Appendix C. “Bill of Materials (BOM)”** – This appendix includes the EVB-LAN9354 Evaluation Board Bill of Materials (BOM).

## CONVENTIONS USED IN THIS GUIDE

This manual uses the following documentation conventions:

### DOCUMENTATION CONVENTIONS

Description	Represents	Examples
<b>Arial font:</b>		
Italic characters	Referenced books	<i>MPLAB® IDE User's Guide</i>
	Emphasized text	...is the <i>only</i> compiler...
Initial caps	A window	the Output window
	A dialog	the Settings dialog
	A menu selection	select Enable Programmer
Quotes	A field name in a window or dialog	"Save project before build"
Underlined, italic text with right angle bracket	A menu path	<u>File</u> > <i>Save</i>
Bold characters	A dialog button	Click <b>OK</b>
	A tab	Click the <b>Power</b> tab
N'Rnnnn	A number in verilog format, where N is the total number of digits, R is the radix and n is a digit.	4'b0010, 2'hF1
Text in angle brackets < >	A key on the keyboard	Press <Enter>, <F1>
<b>Courier New font:</b>		
Plain Courier New	Sample source code	#define START
	Filenames	autoexec.bat
	File paths	c:\mcc18\h
	Keywords	_asm, _endasm, static
	Command-line options	-Opa+, -Opa-
	Bit values	0, 1
	Constants	0xFF, 'A'
Italic Courier New	A variable argument	<i>file.o</i> , where <i>file</i> can be any valid filename
Square brackets [ ]	Optional arguments	mcc18 [options] <i>file</i> [options]
Curly brackets and pipe character: {   }	Choice of mutually exclusive arguments; an OR selection	errorlevel {0 1}
Ellipses...	Replaces repeated text	var_name [, var_name...]
	Represents code supplied by user	void main (void) { ... }



## THE MICROCHIP WEB SITE

Microchip provides online support via our web site at [www.microchip.com](http://www.microchip.com). This web site is used as a means to make files and information easily available to customers. Accessible by using your favorite Internet browser, the web site contains the following information:

- **Product Support** – Data sheets and errata, application notes and sample programs, design resources, user's guides and hardware support documents, latest software releases and archived software
- **General Technical Support** – Frequently Asked Questions (FAQs), technical support requests, online discussion groups, Microchip consultant program member listing
- **Business of Microchip** – Product selector and ordering guides, latest Microchip press releases, listing of seminars and events, listings of Microchip sales offices, distributors and factory representatives

## DEVELOPMENT SYSTEMS CUSTOMER CHANGE NOTIFICATION SERVICE

Microchip's customer notification service helps keep customers current on Microchip products. Subscribers will receive e-mail notification whenever there are changes, updates, revisions or errata related to a specified product family or development tool of interest.

To register, access the Microchip web site at [www.microchip.com](http://www.microchip.com), click on Customer Change Notification and follow the registration instructions.

The Development Systems product group categories are:

- **Compilers** – The latest information on Microchip C compilers, assemblers, linkers and other language tools. These include all MPLAB C compilers; all MPLAB assemblers (including MPASM assembler); all MPLAB linkers (including MPLINK object linker); and all MPLAB librarians (including MPLIB object librarian).
- **Emulators** – The latest information on Microchip in-circuit emulators. This includes the MPLAB REAL ICE and MPLAB ICE 2000 in-circuit emulators.
- **In-Circuit Debuggers** – The latest information on the Microchip in-circuit debuggers. This includes MPLAB ICD 3 in-circuit debuggers and PICkit 3 debug express.
- **MPLAB IDE** – The latest information on Microchip MPLAB IDE, the Windows Integrated Development Environment for development systems tools. This list is focused on the MPLAB IDE, MPLAB IDE Project Manager, MPLAB Editor and MPLAB SIM simulator, as well as general editing and debugging features.
- **Programmers** – The latest information on Microchip programmers. These include production programmers such as MPLAB REAL ICE in-circuit emulator, MPLAB ICD 3 in-circuit debugger and MPLAB PM3 device programmers. Also included are nonproduction development programmers such as PICSTART Plus and PIC-kit 2 and 3.

## CUSTOMER SUPPORT

Users of Microchip products can receive assistance through several channels:

- Distributor or Representative
- Local Sales Office
- Field Application Engineer (FAE)
- Technical Support

Customers should contact their distributor, representative or field application engineer (FAE) for support. Local sales offices are also available to help customers. A listing of sales offices and locations is included in the back of this document.

Technical support is available through the web site at:

<http://www.microchip.com/support>

### **DOCUMENT REVISION HISTORY**

#### **Revision A (July 2015)**

- Initial Release of this Document.

---

---

## Chapter 1. Overview

---

---

### 1.1 INTRODUCTION

The LAN9354 is a fully featured, three-port 10/100 managed Ethernet switch designed for industrial and embedded applications where performance, flexibility, ease of integration and system cost control are required.

The LAN9354 combines all the functions of a 10/100 switch system, including the switch fabric, packet buffers, buffer manager, media access controllers (MACs), PHY transceivers, and serial management. IEEE 1588v2 is supported via the integrated IEEE 1588v2 hard-ware time stamp unit, which supports end-to-end and peer-to-peer transparent clocks.

The LAN9354 complies with the IEEE 802.3 (full/half-duplex 10BASE-T and 100BASE-TX) Ethernet protocol, IEEE 802.3az Energy Efficient Ethernet (EEE) (100Mbps only), and 802.1D/802.1Q management protocol specifications, enabling compatibility with industry standard Ethernet and Fast Ethernet applications.

100BASE-FX is supported via an external fiber transceiver and cable diagnostics (short, open and length) is included on the internal twisted pair copper interface.

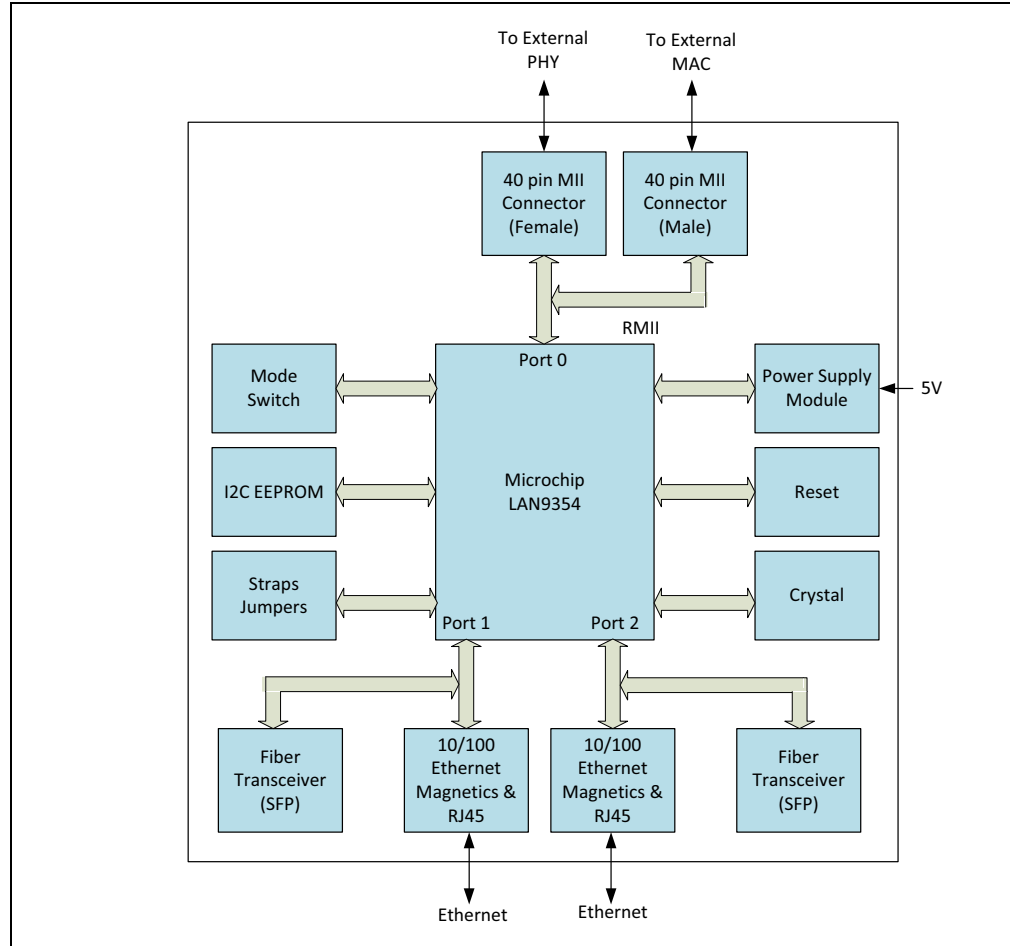
The EVB-LAN9354 is an Evaluation Board (EVB) that utilizes the LAN9354 to provide a fully-functional three-port Ethernet switch with Single RMII. The EVB-LAN9354 provides two fully integrated MAC/PHY internet ports (Ports 1 & 2) via on-board RJ45 connectors. Port 0 provides two MII port connectors which support the following:

- An external RMII-Capable MAC (with LAN9354 in PHY mode), via the on-board 40-pin male MII connector
- An external RMII-Capable PHY (with LAN9354 in MAC mode), via the on-board 40-pin female MII connector

Power is supplied to the board via a +5V external wall mount power supply.

The EVB-LAN9354 includes a 64K x 8 I2C EEPROM that may be used to automatically load configuration settings from the EEPROM into the device at reset. An I2C host adapter interface header (10-pin, 2x5) is provided to simplify I2C based configuration. A simplified block diagram of the EVB-LAN9354 can be seen in [Figure 1-1](#).

**FIGURE 1-1: EVB-LAN9354 BLOCK DIAGRAM**



**1.1.1 References**

Concepts and material available in the following documents may be helpful when reading this document. Visit [www.microchip.com](http://www.microchip.com) for the latest documentation.

Document	Location
LAN9354 datasheet	Visit <a href="http://www.microchip.com">www.microchip.com</a>
AN8-13 Suggested Magnetics	<a href="http://www.microchip.com/wwwAppNotes/AppNotes.aspx?appnote=en562793">http://www.microchip.com/wwwAppNotes/AppNotes.aspx?appnote=en562793</a>
EVB-LAN9354 Evaluation Board Schematic	Visit <a href="http://www.microchip.com">www.microchip.com</a>

---

---

### 1.1.2 Terms and Abbreviations

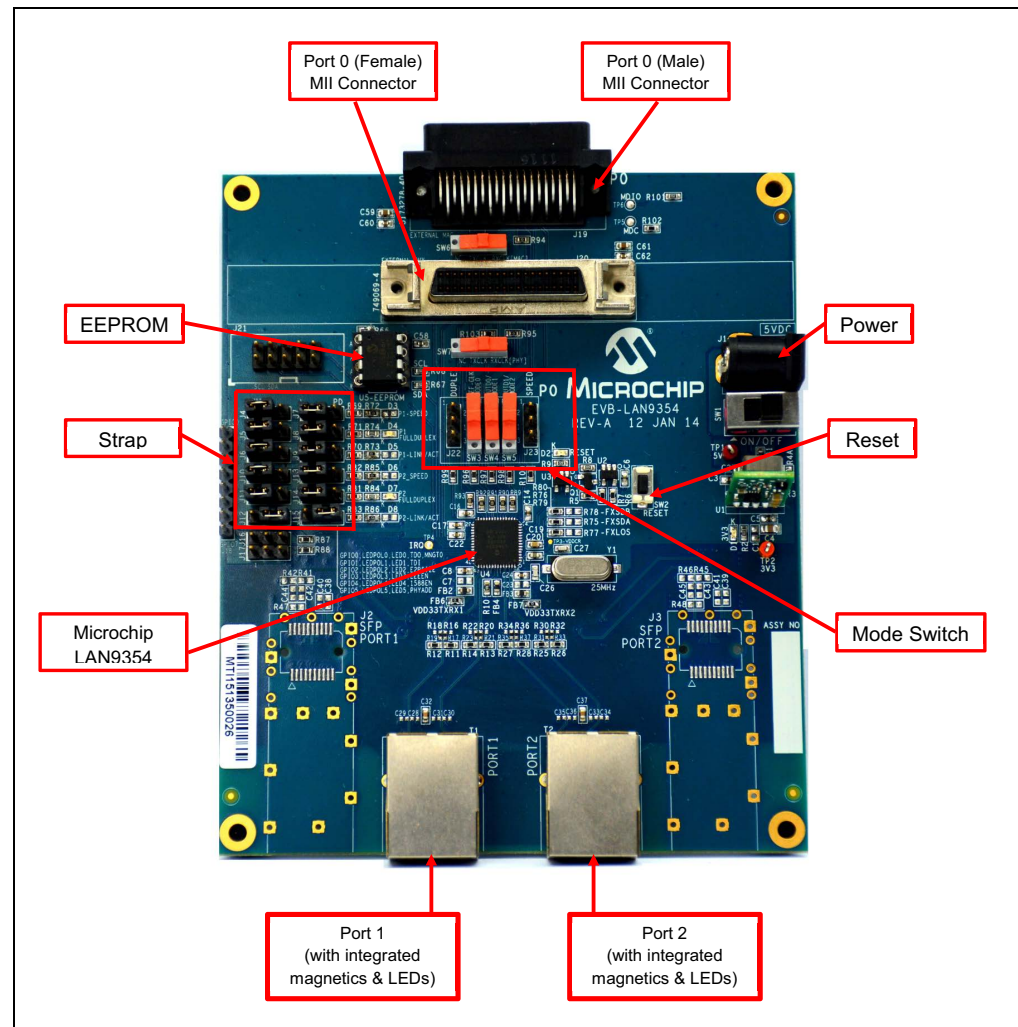
- **EVB** - Evaluation Board
- **DNP** - Do Not Populate
- **100BASE-TX** - 100 Mbps Fast Ethernet, IEEE802.3u Compliant
- **GPIO** - General Purpose I/O
- **MII** - Media Independent Interface
- **RMII** - Reduced Media Independent Interface
- **EEE** - Energy-Efficient Ethernet
- **SFP** - Small Form-factor Pluggable
- **SFF** - Small Form Factor
- **SMI** - Serial Management Interface

## Chapter 2. Board Details

### 2.1 BOARD DETAILS

The following sections describe the various board features, including jumpers, LEDs, test points, system connections, and switches. A top view of the EVB-LAN9354 is shown in Figure 2-1.

**FIGURE 2-1: LAN9354 BOARD REV-A**



#### 2.1.1 Power

DC 5V is applied through (J1) DC Socket, powered by a +5V external wall adapter switch (SW1) need to be ON position for the 5V to reach the 3.3V regulator. Glowing of Green LED (D1) indicates successful generation of 3.3V o/p. This Power is supplied to the LAN9354 and it has internal 1.2 V regulator which supplies power to the internal core logic.

### 2.1.2 Power-on Reset

A power-on reset occurs whenever power is initially applied to the LAN9354 or if the power is removed and reapplied to the LAN9354. This event resets all circuitry within the LAN9354. After initial power-on, the LAN9354 can be reset by pressing the reset switch (SW2). The reset LED D2 will assert (red) when the LAN9354 is in reset condition.

For stability, a delay of approximately 180ms is added from the +3.3V o/p to reset release.

### 2.1.3 Clock

The LAN9354 requires a fixed-frequency 25 MHz clock ( $\pm 50$  ppm) source for use by the internal clock oscillator and PLL. This is typically provided by attaching a 25 MHz crystal to the OSCI and OSCO pins. Optionally, this clock can be provided by driving the OSCI input pin with a single-ended 25 MHz clock source.

---

---

## Chapter 3. Board Configuration

---

---

### 3.1 STRAP OPTIONS

The following tables describe the default settings and jumper descriptions for the EVB-LAN9354. These defaults are the recommended configurations for evaluation of the LAN9354. These settings may be changed as needed, however, any deviation from the defaults settings should be approached with care and knowledge of the schematics and datasheet. An incorrect jumper setting may disable the board.

#### 3.1.1 Jumpers J4:J15

Jumpers J4 through J15 set various functions of the LAN9354. They can also be used as GPIOs, LED drivers. When used as LED drivers, as they are on the EVB-LAN9354, they are connected a specific way to set the strap value to a "1", and another way to set the strap value to a "0". Figure 3-1 illustrates the schematics connections with the D3 circuit as a pull-up, and the D4 circuit as a pull-down. To illuminate D3, the LAN9354 will drive the cathode of the D3 low. To illuminate D4, the LAN9354 will drive the cathode of the D4 high.

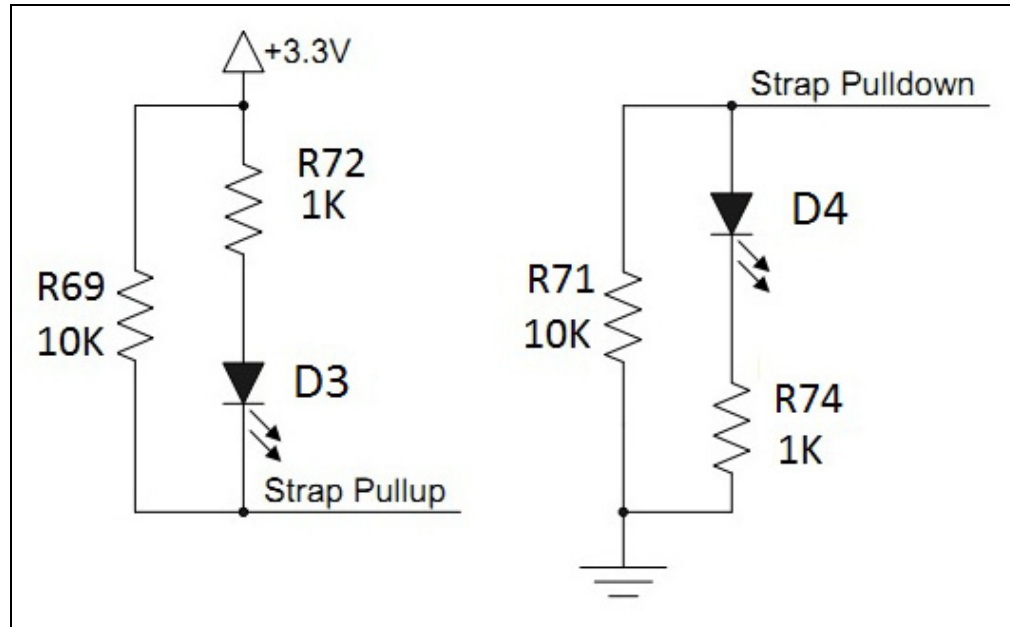
The J4 - J15 jumpers must be configured in pairs to identical settings in order to realize the D3 circuit or the D4 circuit. The pairings are as follows:

- J4 & J7
- J6 & J9
- J5 & J8
- J11 & J14
- J10 & J13
- J12 & J15

The following subsections detail the jumper pair settings, their associated strap settings, and the functional effects of setting the straps. All strap values are read during power-up and on the rising edge of nRST signal. Once the strap value is set, the LAN9354 will drive the LED's high or low for illumination according the strap value. For other designs which may use these pins as GPIOs refer to LAN9354 datasheet for additional information. In those cases, internal default straps must be changed by an I2C or SMI master or through EEPROM fields.



**FIGURE 3-1: LED STRAP CIRCUIT**



**3.1.1.1 GPIO/LED POL/LED CONFIGURATIONS:**

GPIO/LED POL/LED configuration straps are used to configure the default polarity of LEDs, GPIOs through jumpers as shown below in Table 3-1.

**TABLE 3-1: GPIO/LED POL/LED CONFIGURATIONS**

Header	Pin Settings	Signal Name	Strap Value	Description
J4 & J7	1-2(default)	LEDPOL0 /GPIO0 /LED0	1	The LED (D3) is set as active LOW.
	2-3		0	The LED (D3) is set as active HIGH.
J5 & J8	1-2(default)	LEDPOL1 /GPIO1 /LED1	1	The LED (D4) is set as active LOW.
	2-3		0	The LED (D4) is set as active HIGH.
J6 & J9	1-2(default)	LEDPOL2 /GPIO2 /LED2	1	The LED (D5) is set as active LOW.
	2-3		0	The LED (D5) is set as active HIGH.
J10 & J13	1-2(default)	LEDPOL3 /GPIO3 /LED3	1	The LED (D6) is set as active LOW.
	2-3		0	The LED (D6) is set as active HIGH.

**TABLE 3-1: GPIO/LED POL/LED CONFIGURATIONS (CONTINUED)**

Header	Pin Settings	Signal Name	Strap Value	Description
J11 & J14	1-2(default)	LEDPOL4 /GPIO4 /LED4	1	The LED (D7) is set as active LOW.
	2 -3		0	The LED (D7) is set as active HIGH.
J12 & J15	1-2(default)	LEDPOL5 /GPIO5 /LED5	1	The LED (D8) is set as active LOW.
	2 -3		0	The LED (D8) is set as active HIGH.

**3.1.1.2 SERIAL MANAGEMENT MODE CONFIGURATION**

Serial Management Mode selection strap is used to configure the default value of the Serial Management Mode Strap hard-strap (serial\_mngt\_mode\_strap) through jumpers as shown below in Table 3-2.

**TABLE 3-2: SERIAL MANAGEMENT MODE CONFIGURATION**

Header	Pin Settings	serial_mngt_mode_strap	Description
J4 & J7	2-3	0	SMI Managed Mode
J4 & J7	1-2 (default)	1	I2C Managed Mode

**3.1.1.3 EEPROM SIZE CONFIGURATION:**

The EEPROM size configuration strap (J6 & J9) determines the supported EEPROM size range. A low selects 1Kbits (128 x 8) through 16Kbits (2K x 8)\_24C16. A high selects 32Kbits (4K x 8) through 512Kbits (64K x 8) or 4Mbits (512K x 8)\_24C512 as shown below in Table 3-3.

**TABLE 3-3: EEPROM SIZE CONFIGURATION**

Header	Pin Settings	eeeprom_size_strap Value	Description
J6 & J9	1-2 (default)	1	EEPROM size = 32K bits (4k x 8) through 512K bits (64K x 8)
	2 -3	0	EEPROM size = 1K bits (128 x 8) through 16K bits (2K x 8)

**3.1.1.4 ENERGY-EFFICIENT ETHERNET CONFIGURATION**

EEE\_EN configuration strap is used to configure the default value of the EEE Enable 2-1 soft-straps (EEE\_enable\_strap\_[2:1]) through jumpers as shown below in Table 3-4.

**TABLE 3-4: EEE\_EN CONFIGURATION**

Header	Pin Settings	EEE_enable_strap_[2:1] Value	Description
J10 & J13	1-2(default)	1	EEE Enable
	2 -3	0	EEE Disable

### 3.1.1.5 1588 ENABLE CONFIGURATION

Energy Efficient Ethernet configuration strap is used to configure the default value of the 1588 Enable soft-strap (1588\_enable\_strap) through jumpers as shown below in Table 3-5.

**TABLE 3-5: 1588 ENABLE CONFIGURATION**

Header	Pin Settings	1588_enable_strap Value	Description
J11 & J14	1-2 (default)	1	1588 Enable
	2-3	0	1588 Disable

### 3.1.1.6 PHY ADDRESS CONFIGURATION

PHY Address selection strap is used to configure the default value of the Switch PHY Address Select soft-strap (phy\_addr\_sel\_strap) through jumpers as shown below in Table 3-6.

**TABLE 3-6: PHY ADDRESSING**

Header	Pin Settings	PHY_ADDR_SEL_STRAP Value	VIRTUAL PHY 0 AND 1 DEFAULT ADDRESS VALUE	PHY A DEFAULT ADDRESS VALUE	PHY B DEFAULT ADDRESS VALUE
J12 & J15	1-2	1	1	2	3
	2-3 (default)	0	0	1	2

### 3.1.2 GPIO 6 & GPIO 7 Input and Output Configurations

GPIO 6 & 7 configuration straps are used to configure the default input value of the GPIO 6 and 7 through jumpers as shown below in Table 3-7 and Table 3-8.

**TABLE 3-7: GPIO 6 & 7 INPUT CONFIGURATION**

Header	Pin Settings	Input	Signal Name
J16	1-2	1	GPIO6
	2-3	0	
J17	1-2	1	GPIO7
	2-3	0	

**TABLE 3-8: GPIO 6 & 7 OUTPUT CONFIGURATION**

Header	Pin	Output	Signal Name
J16	2	Push Pull	GPIO6
J17	2	Push Pull	GPIO7

**Note:** By default, the jumpers settings for J16 & J17 will be OPEN.

### 3.1.3 Link Partner Duplex/Speed Configurations

The “duplex\_strap\_0” strap is used to determine the link partners duplex ability when in Port 0 RMII MAC mode through jumpers (J22) as shown below in Table 3-9.

The “speed\_strap\_0” strap is used to determine the link partners speed ability and to determine the parallel detect speed when in Port 0 RMII MAC mode through jumpers (J23) as shown below in Table 3-9.

**TABLE 3-9: EMULATED LINK PARTNER DEFAULT ADVERTISED ABILITY FOR PORT 0**

J28 (P0_DUPLEX)	J23 (P0_SPEED)	duplex_strap_0	speed_strap_0	ADVERTISED LINK PARTNER ABILITY
1-2	2-3	1	0	10BASE-T full-duplex (0010)
1-2	1-2	1	1	100BASE-X full-duplex (1000)
2-3	2-3	0	0	10BASE-T half-duplex (0001)
2-3	1-2	0	1	100BASE-X half-duplex (0100)

**Note:** By default, the jumpers settings for J22 & J23 will be OPEN.

### 3.1.4 Port 0 Mode Configurations

Port 0 Mode configuration straps from switches (SW3, SW4 & SW5) are used to configure the hard-straps such as Switch Port 0 Mode Strap (P0\_mode\_strap[1:0]), Switch Port 0 RMII Clock Direction Strap (P0\_rmii\_clock\_dir\_strap) and Switch Port 0 Clock Strength Strap (P0\_clock\_strength\_strap) as shown in Table 3-10.

**TABLE 3-10: PORT 0 MODE STRAP MAPPING**

P0_MODE2 (SW5)	P0_MODE1 (SW4)	P0_MODE0 (SW3)	MODE
1-3	1-3	X	RMII MAC clock in
1-3	1-2	1-3	RMII MAC clock out 12ma
1-3	1-2	1-2	RMII MAC clock out 16ma (Default)
1-2	1-3	X	RMII PHY clock in
1-2	1-2	1-3	RMII PHY clock out 12ma
1-2	1-2	1-2	RMII PHY clock out 16ma

**Note:** For Switches to short 1-3, Knob Position should be at 1-2 and vice versa.

### 3.1.5 RMII RX Clock Configurations

When LAN9354 is in MAC/PHY mode the reference clock routed either through TX or RX Clock as shown in Table 3-11 for Port 0.

**TABLE 3-11: RX CLOCK CONFIGURATIONS FOR PORT 0**

Switch Settings	DESCRIPTION	Mode
SW6 (1-3) (Default)	TX Clock used as a Reference Clock	RMII MAC

**TABLE 3-11: RX CLOCK CONFIGURATIONS FOR PORT 0**

Switch Settings	DESCRIPTION	Mode
SW6 (1-2)	RX Clock used as a Reference Clock	RMII MAC
SW7 (1-3) (Default)	Reference clock used as a TX clock	RMII PHY
SW7 (1-2)	Reference clock used as a RX clock	RMII PHY

**Note:** For Switches to short 1-3, Knob Position should be at 1-2 and vice versa.

### 3.1.6 GPIO Header

J18 connector is used for GPIO header. Respective pin details are given below in Table 3-12.

**TABLE 3-12: PIN NAMES FOR GPIO HEADER**

Signal Name	Pin Number
GPIO0	J18.1
GPIO1	J18.2
GPIO2	J18.3
GPIO3	J18.4
GPIO4	J18.5
GPIO5	J18.6
GPIO6	J18.7
GPIO7	J18.8

### 3.1.7 I2C Aardvark® Header

J21 connector is used for I2C Aardvark header. Respective pin details are given below in Table 3-13.

**TABLE 3-13: PIN NAMES FOR I2C AARDVARK HEADER**

Signal Name	Pin Number
I2C2_SCL	J21.1
I2C2_SDA	J21.3
GND	J21.2 & J21.10

### 3.1.8 Copper and Fiber Mode Selections

The LAN9354 supports 100BASE-TX (Copper) and 100BASE-FX (Fiber) modes. In 100BASE-FX operation, the presence of the receive signal is indicated by the external transceiver as either an open-drain, CMOS level, Loss of Signal (SFP) or a LVPECL Signal Detect (SFF).

This EVB supports 100BASE-TX (Copper) and 100BASE-FX (Fiber) in SFP mode. By default Copper Mode is active. Fiber Mode is supported as an assembly option. To select the Copper or Fiber Mode, the respective strap and signal routing resistor assembly options must to be configured.

**Note:** Vendor part number for SFP Transceiver: Finisar/FTLF1217P2.

### 3.1.8.1 COPPER MODE

The EVB-LAN9354 is set to Copper Mode by default. Table 3-14 details the required strap resistors settings for Copper Mode operation.

**TABLE 3-14: COPPER MODE STRAP RESISTORS**

Resistors	Signal Names	Description
R79 (10K)	FXLOSEN	Copper twisted pair for ports A and B further determined by FXSDENA and FXSDENB
R76, R80 (10K)	FXSDA/FXSDB	Configures Port 0 and Port 1 to Copper Mode

**Note:** R75, R77, and R78 must not be populated (DNP).

Additionally, the signal routing resistors detailed in Table 3-15 must be assembled for Copper Mode operation.

**TABLE 3-15: COPPER MODE SIGNAL ROUTING RESISTORS**

Resistors	Description
R17, R19, R21, R23	Port 0 Copper mode is Enabled
R31, R33, R35, R37	Port 1 Copper mode is Enabled

**Note:** R16, R18, R20, R22, R30, R32, R34, and R36 (0402 package) must not be populated (DNP).

### 3.1.8.2 FIBER MODE

The LAN9354 supports SFP type 100BASE-FX mode. To enable Fiber Mode, the respective strap and signal routing resistors must be configured.

**Note:** Copper Mode related resistors must be DNP while Fiber Mode is active (See **Section 3.1.8.1 “Copper Mode”**).

Table 3-16 details the required strap resistor settings for Fiber Mode operation.

**TABLE 3-16: FIBER MODE STRAP RESISTORS**

Resistors	Description
R77 (10K)	Configures Port 0 & 1 to FX_LOS Mode
R75, R78 (10K)	Configures Port 0 & 1 to Fiber mode, respectively

**Note:** R76, R79, and R80 must not be populated (DNP).

Additionally, the signal routing resistors detailed in Table 3-17 must be assembled for Fiber Mode operation.

**TABLE 3-17: FIBER MODE SIGNAL ROUTING RESISTORS**

Resistors	Description
R16, R18, R20, R22	Port 0 Fiber mode Enabled
R30, R32, R34, R36	Port 1 Fiber mode Enabled

**Note:** R17, R19, R21, R23, R31, R33, R35, and R37 (0402 package) must not be populated (DNP).

### 3.1.8.3 FX-LOS FIBER MODE STRAP

FX-LOS strap details are shown in Table 3-18. These strap settings determine if the ports are to operate in FX-LOS Fiber Mode or FX-SD/Copper Mode.

**TABLE 3-18: FX-LOS MODE STRAP SETTINGS**

R77 (10K)	R79 (10K)	Reference Voltage (v)	Function
Populate	DNP	3.3	A level above 2V selects FX-LOS for Port 0 and Port 1
Populate	Populate	1.5	A level of 1.5V selects FX-LOS for Port 0 and FX-SD / Copper twisted pair for Port 1, further determined by FXSDB
DNP	Populate	0 (Default)	A level of 0V selects FX-SD / Copper twisted pair for Ports 0 and 1, further determined by FXSDA, FXSDB

**Note:** The above strap details describe the LAN9354 function. This EVB does not support SFF Fiber Mode. Therefore, FX-SD related straps are not applicable.

## 3.2 LEDS

Table 3-19 describes the different LED references and their corresponding colors and indications

**TABLE 3-19: LEDS**

Reference	Color	Indication
D1	Green	3.3V Power active
D2	Red	LAN9354 is in reset condition
D4	Green	Full-duplex / Collision Port 1
D6	Green	Full-duplex / Collision Port 2

**Note:** Assumes the LED\_FUN field of the LED\_CFG register is 00b.

## 3.3 TEST POINTS

Table 3-20 describes the different test points and their corresponding connections.

**TABLE 3-20: TEST POINTS**

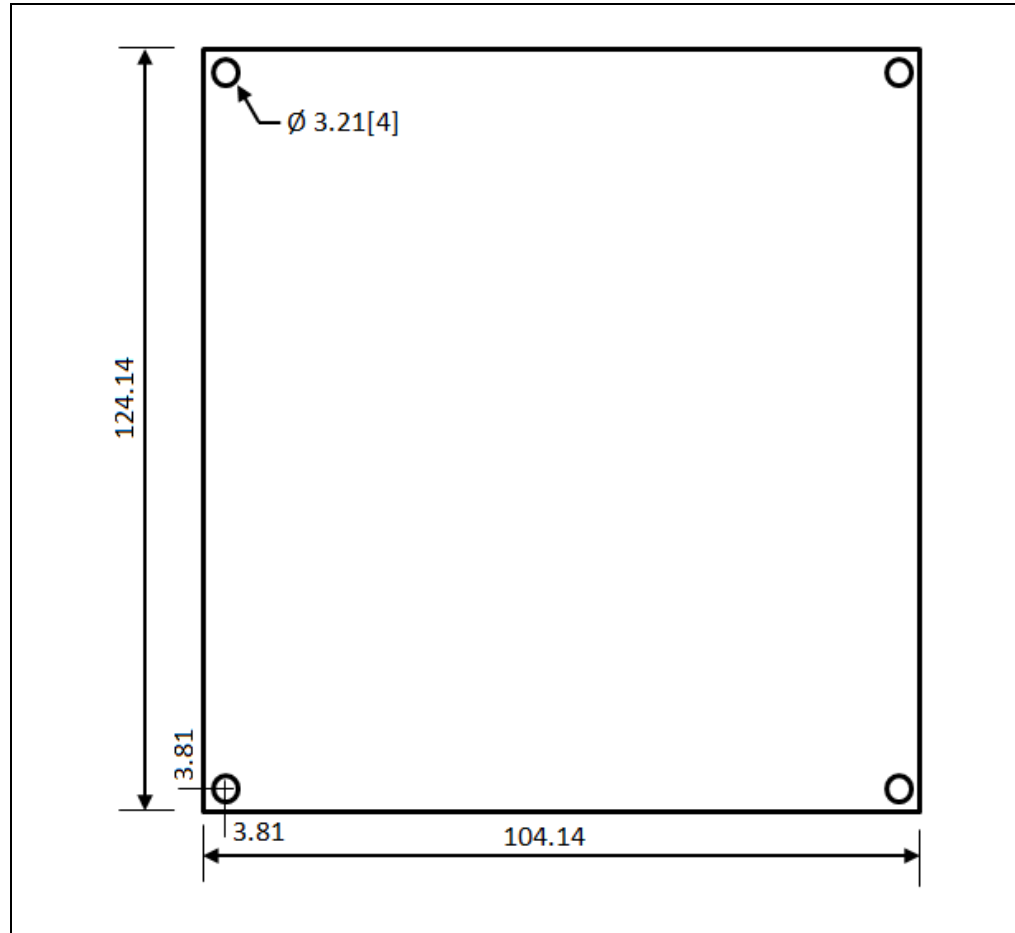
Test Points	Description	Connection
TP1	Single pin populated 5V	5V_EXT
TP2	Single pin populated 3V3	3V3
TP3	Single pin unpopulated VDDCR	VDDCR
TP4	Single pin unpopulated IRQ	IRQ
TP5	Single pin unpopulated P0_MDC	P0_MDC
TP6	Single pin unpopulated P0_MDIO	P0_MDIO
TP7	Single pin unpopulated P1_MDC	P1_MDC
TP8	Single pin unpopulated P1_MDIO	P1_MDIO
TP9	Single pin populated GND	GND
TP10	Single pin populated GND	GND

---

### 3.4 MECHANICALS

Figure 3-2 displays details for EVB-LAN9354 mechanical dimensions. Dimensions are in mm.

**FIGURE 3-2: LAN9354 EVB MECHANICAL DIMENSIONS**





---

---

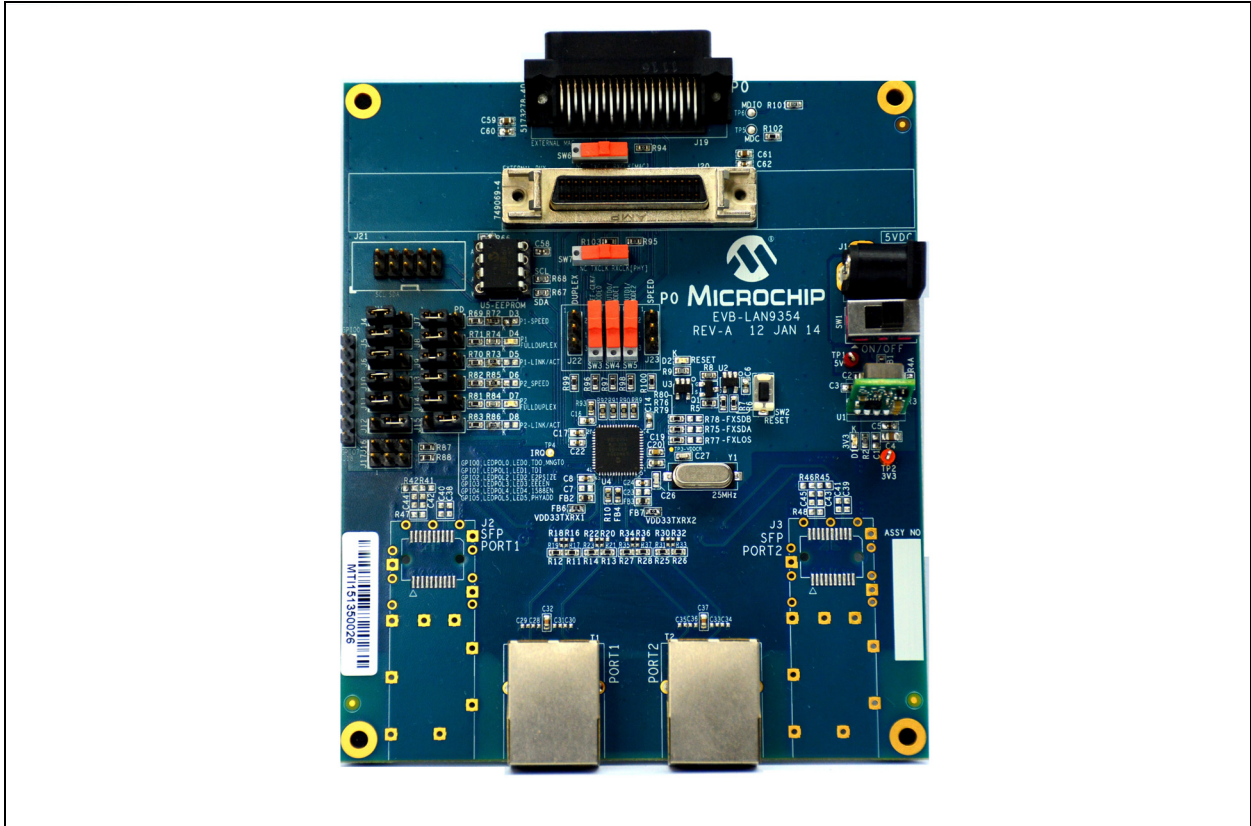
**Appendix A. EVB-LAN9354 Evaluation Board**

---

---

**A.1 INTRODUCTION**

This appendix shows the EVB-LAN9354 Evaluation Board.

**FIGURE A-1: EVB-LAN9354 EVALUATION BOARD**



---

---

## **Appendix B. EVB-LAN9354 Evaluation Board Schematics**

---

---

### **B.1 INTRODUCTION**

This appendix shows the EVB-LAN9354 Evaluation Board Schematics.

FIGURE B-1: EVB-LAN9354 EVALUATION BOARD SCHEMATIC 1

### EVB-LAN9354 Block Diagram

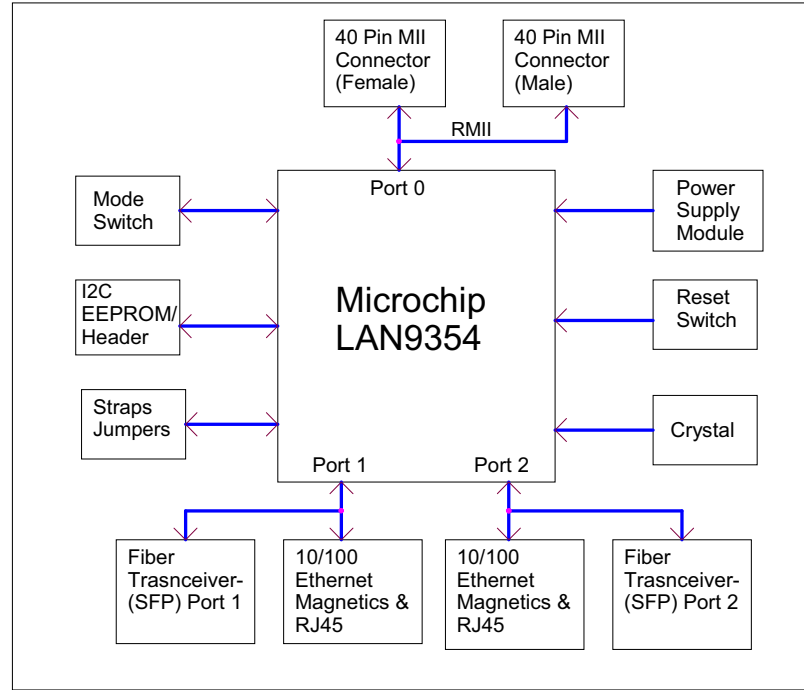


FIGURE B-2: EVB-LAN9354 EVALUATION BOARD SCHEMATIC 2

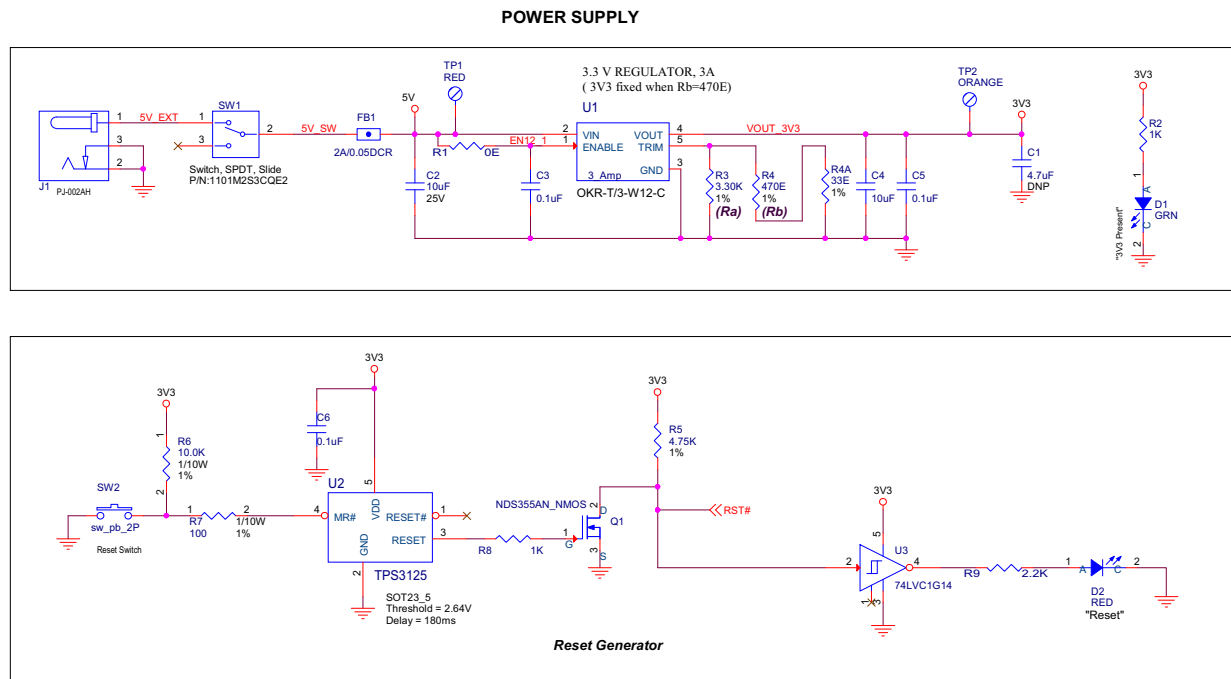
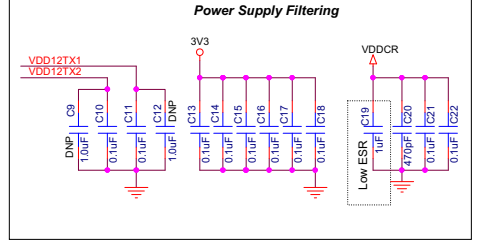
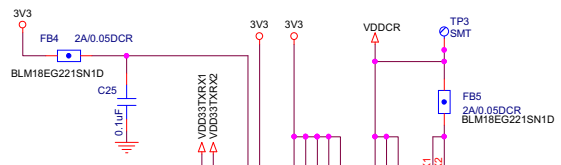
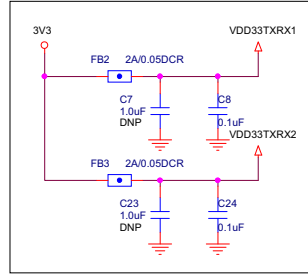


FIGURE B-3: EVB-LAN9354 EVALUATION BOARD SCHEMATIC 3



Note:  
OSC VSS need to connect to Chip gnd.

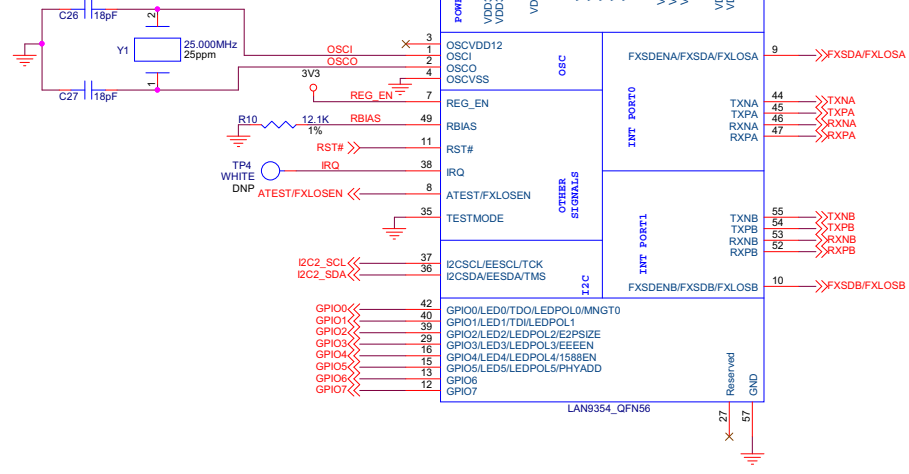


FIGURE B-4: EVB-LAN9354 EVALUATION BOARD SCHEMATIC 4

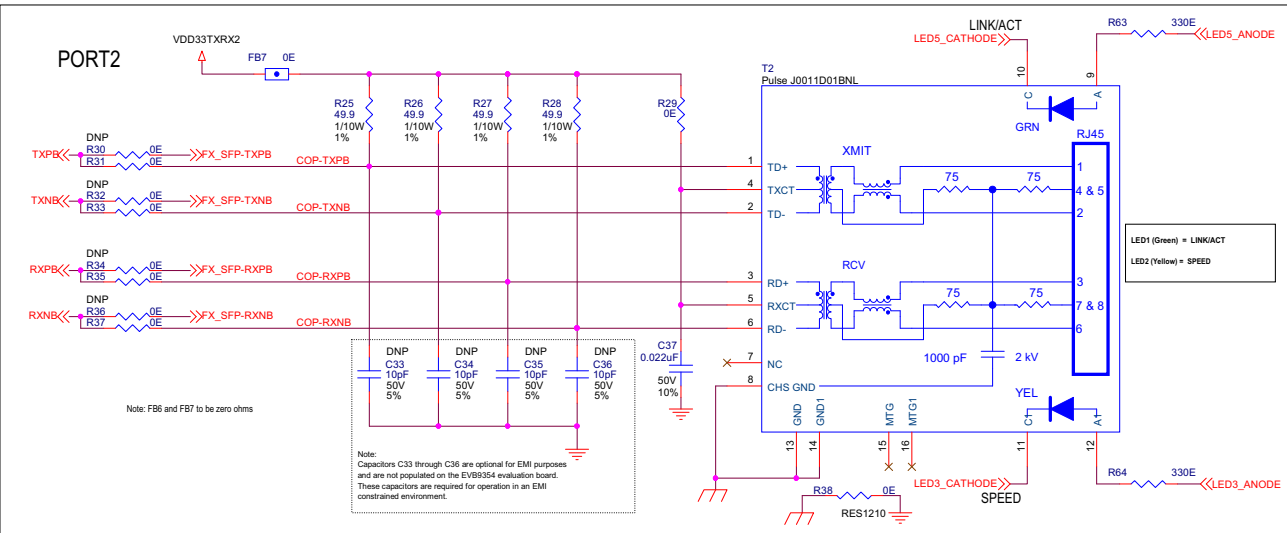
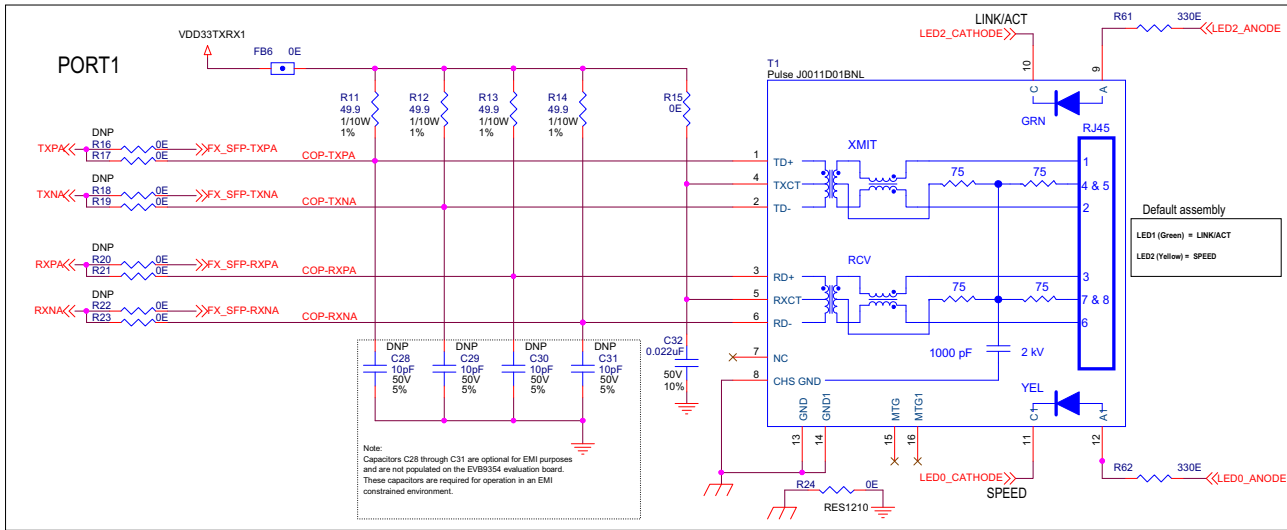
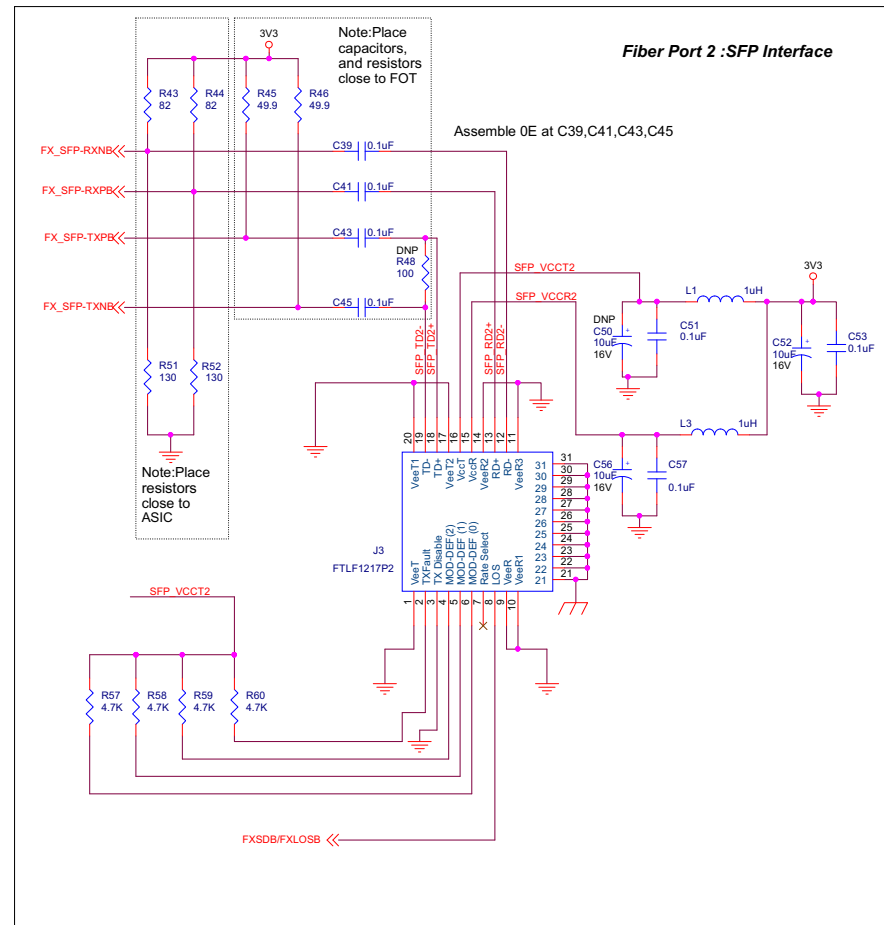
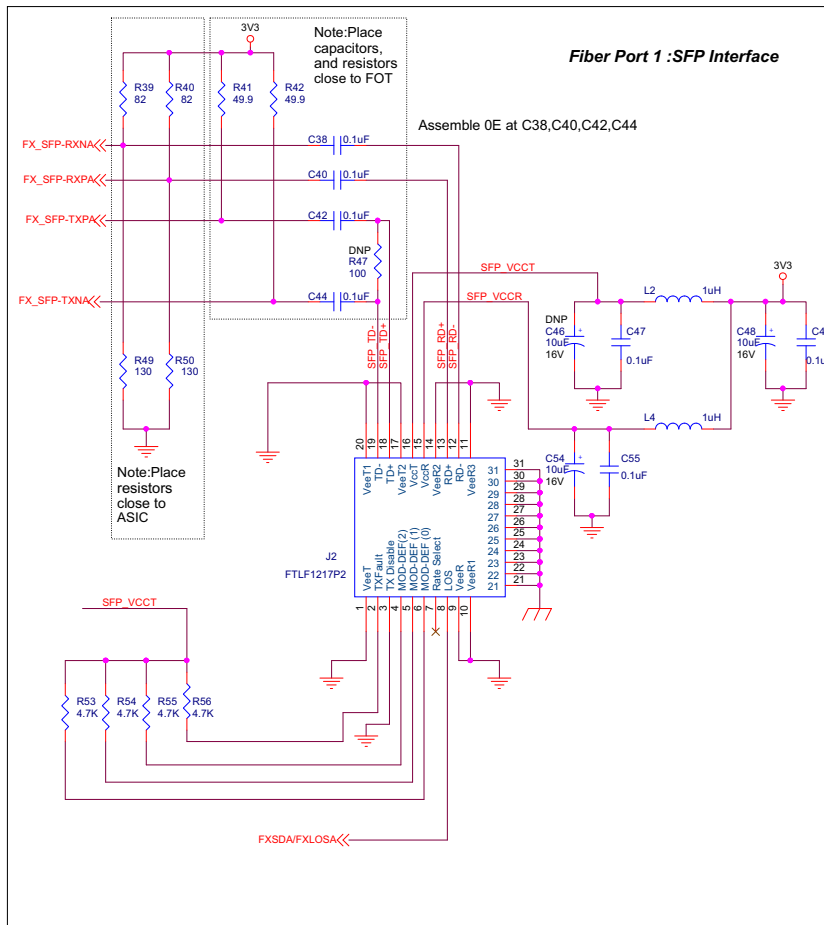


FIGURE B-5: EVB-LAN9354 EVALUATION BOARD SCHEMATIC 5



Note: Fiber mode related components are Not Populated on EVB (Default)

**FIGURE B-6: EVB-LAN9354 EVALUATION BOARD SCHEMATIC 6**

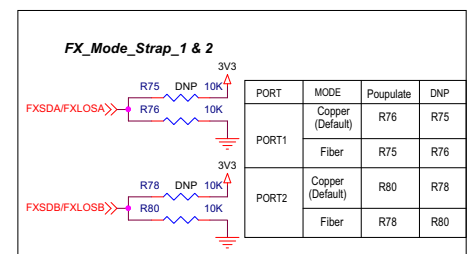
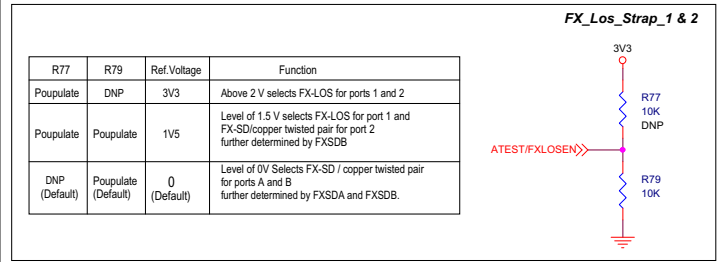
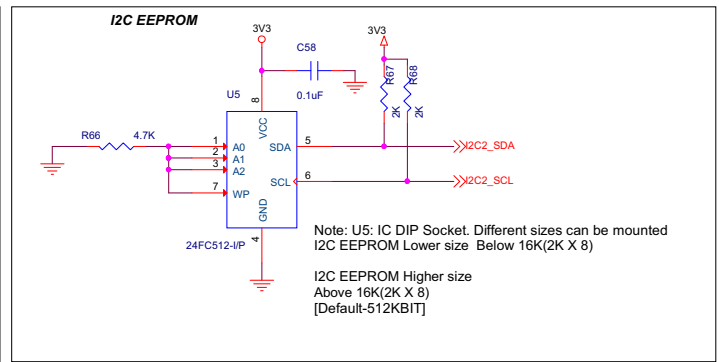
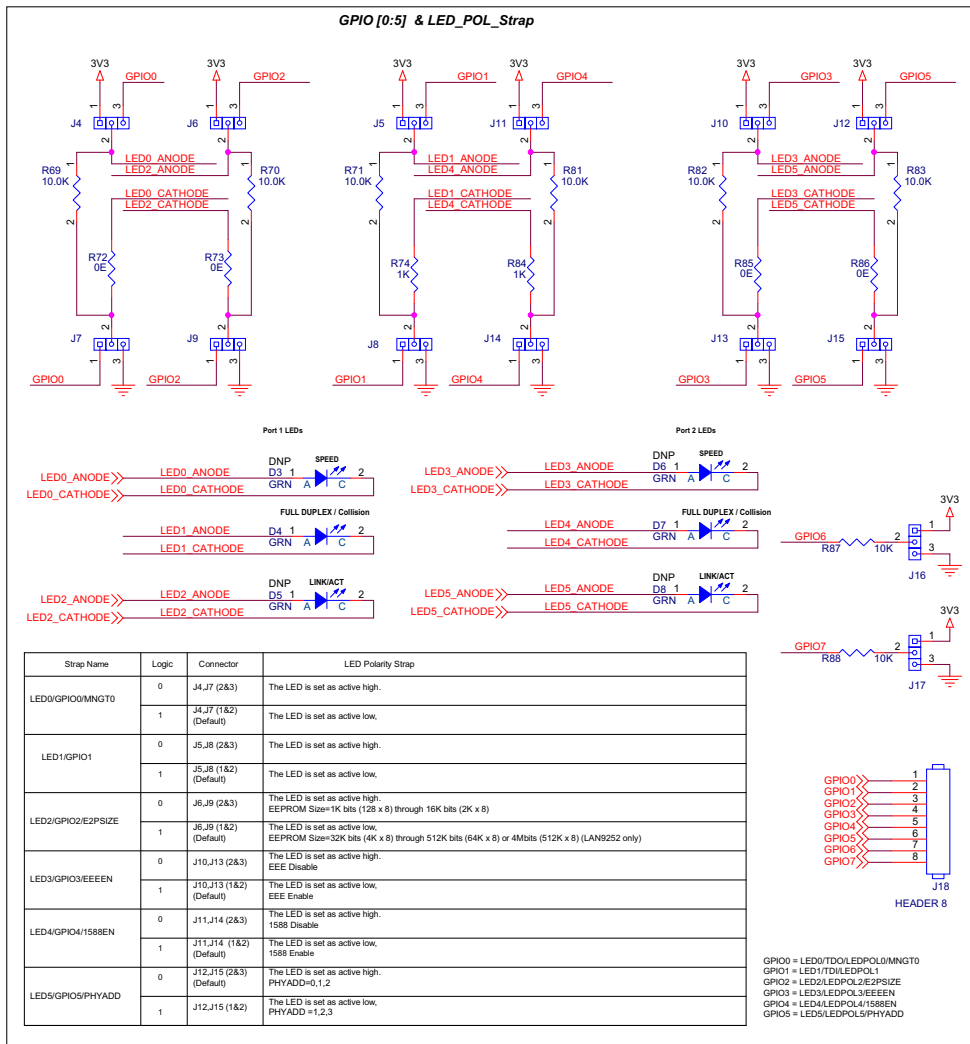
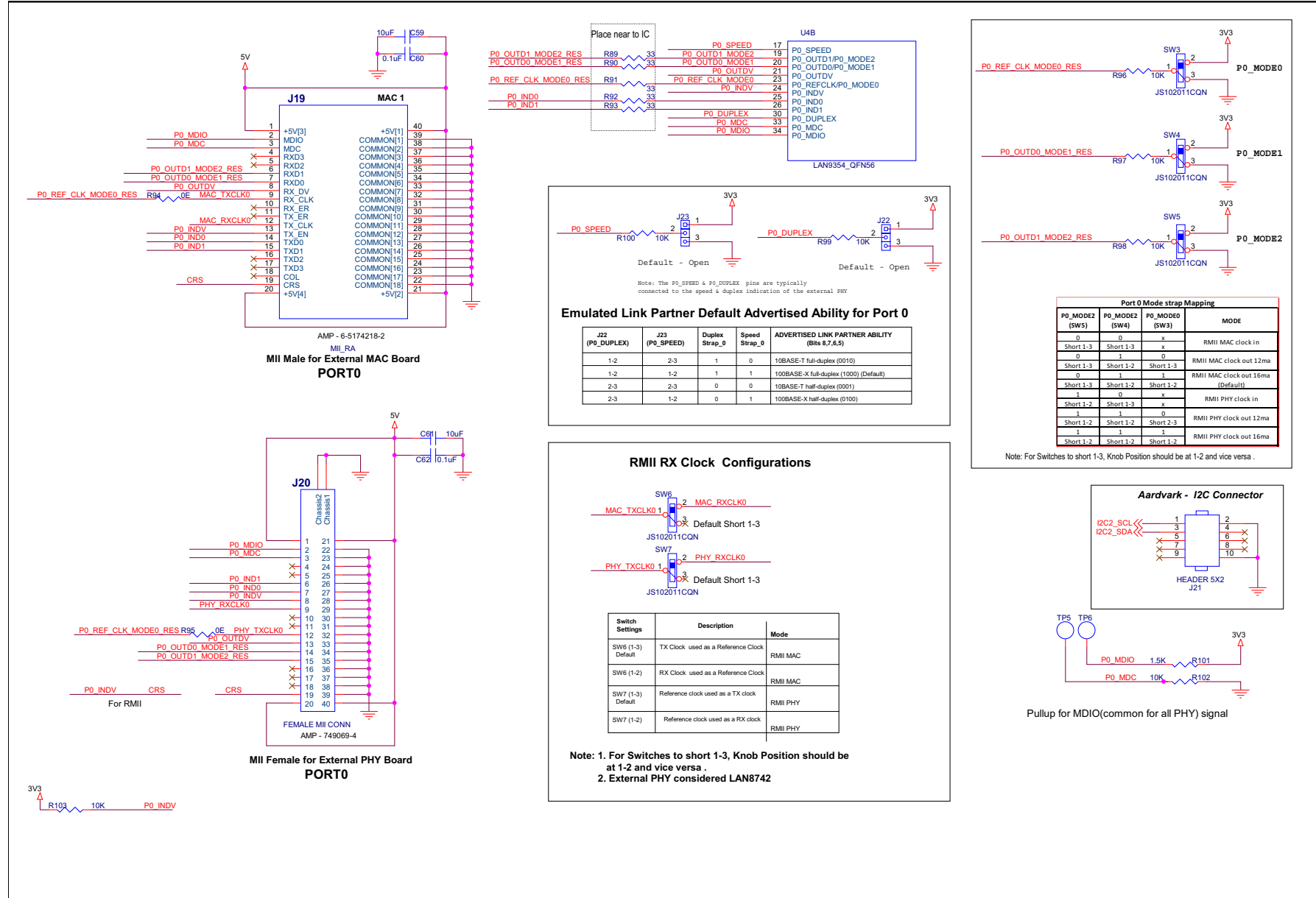




FIGURE B-7: EVB-LAN9354 EVALUATION BOARD SCHEMATIC 7





---

---

## **Appendix C. Bill of Materials (BOM)**

---

---

### **C.1 INTRODUCTION**

This appendix includes the EVB-LAN9354 Evaluation Board Bill of Materials (BOM).

Configuration: Two internal copper mode with higher size EEPROM (24FC512)

**TABLE C-1: EVB-LAN9354 EVALUATION BOARD BILL OF MATERIALS**

Item	Qty	Reference Designator(s)	Part	PCB Footprint	Manufacturer	Manufacturer Part Number
1	2	C2,C4	10uF	CAP0805	Murata	GRM21BR61E106KA73L
2	19	C3,C5,C6,C8,C10,C11,C13,C14,C15,C16,C17,C18,C21,C22,C24,C25,C58,C60,C62	0.1uF	CAP0603	Murata	GRM155R61E104KA7D
3	1	C19	1uF	CAP0603	Murata	GRM188R61C105KA93D
4	1	C20	470pF	CAP0603	Murata	GRM033R71E471KA01D
5	2	C26,C27	18pF	CAP0603	Murata	GRM1885C1H180JA01D
6	2	C32,C37	0.022uF	CAP0603	Kemet	C0603C223K5RACTU
7	2	C59,C61	10uF	CAP0603	TDK	C1608X5R0J106K080AB
8	3	D1,D4,D7	GRN	LED0603	Würth electronics	150 060 GS7 500 0
9	1	D2	RED	LED0603	Würth electronics	150 060 RS7 500 0
10	5	FB1,FB2,FB3,FB4,FB5	2A/0.05DCR	RES0603	Murata	BLM18EG221SN1D
11	1	J1	SKT_P-WR_2R0mm_4A_THRU_RA	th_conn_pwrjack_dc-210_rt	Cui Stack	PJ-002AH
12	16	J4,J5,J6,J7,J8,J9,J10,J11,J12,J13,J14,J15,J16,J17,J22,J23	HDR_1x3	TH_CONN_1X3P	FCI	68000-103HLF
13	1	J18	HEADER 8	TH_CONN_1X8P	FCI	68000-108HLF
14	1	J19	MII_RA	TH_CON-N_TE-5173278_40P	TE	5173278-2-ND
15	1	J20	FEMALE MII CONN	TH_CONN_MII-749069-4	TE	749069-4-ND
16	1	J21	HEADER 5X2	th_conn_2x5p_BOX	FCI	67997-210HLF
17	1	Q1	NDS355AN_NMOS	sot23-NDS	Fairchild	NDS355AN
18	7	R1,R94,R95,R72,R73,R85,R86	0E	RES0603	Panasonic	ERJ-3GEY0R00V
19	4	R2,R8,R74,R84	1K	RES0603	Panasonic	ERJ-3GEYJ102V
20	1	R3	3.30K	RES0603	Yageo America	9C06031A3301FKHFT
21	1	R4	470E	RES0603	BOURNS	CR0603-FX-4700ELF
22	1	R4A	33E	RES0603	BOURNS	CR0603-FX-33R0ELF
23	1	R5	4.75K	RES0603	Panasonic	ERJ-3EKF4751V
24	7	R6,R69,R70,R71,R81,R82,R83	10.0K	RES0603	Panasonic	ERJ-3EKF1002V
25	1	R7	100	RES0603	Panasonic	ERJ-3EKF1000V
26	1	R9	2.2K	RES0603	Panasonic	ERJ-3GEYJ222V
27	1	R10	12.1K	RES0603	Rohm	MCR01MZPF1202
28	8	R11,R12,R13,R14,R25,R26,R27,R28	49.9	RES0603	Yageo America	9C06031A49R9FKHFT

**TABLE C-1: EVB-LAN9354 EVALUATION BOARD BILL OF MATERIALS (CONTINUED)**

Item	Qty	Reference Designator(s)	Part	PCB Footprint	Manufacturer	Manufacturer Part Number
29	4	R15,R29, FB6,FB7	0E	RES0603	Panasonic	ERJ-3GEY0R00V
30	8	R17,R19,R21,R23,R31,R33,R35,R37	0E	RES0402	Panasonic	ERJ-2GE0R00X
31	2	R24,R38	0E	RES1210	Vishay	CRCW12100000Z0EA
32	4	R61,R62,R63,R64	330E	RES0603	Panasonic	ERJ-3GEYJ331V
33	2	R67,R68	2K	RES0603	Panasonic	ERJ-3GEYJ202V
34	12	R76,R79,R80,R87,R88,R96,R97,R98,R99,R100,R102,R103	10K	RES0603	Panasonic	ERJ-3EKF1002V
35	5	R89,R90,R91,R92,R93	33	RES0603	BOURNS	CR0603-FX-33R0ELF
36	1	R101	1.5K	RES0603	Panasonic	ERJ-3GEYJ152V
37	1	SW1	SW-SPDT-SLIDE	sw_ck_1101m2s3cqe2	C&K	1101M2S3CQE2
38	1	SW2	sw_pb_2P	sw_pb_2P	Panasonic	EVQ-PJU04K
39	5	SW3,SW4,SW5,SW6,SW7	JS102011CQN	TH_SW_SPST_3P_10x2p5	Würth electronics	450301014042
40	1	TP1	RED	TH_TP_60D40	Keystone	5000
41	1	TP2	ORANGE	TH_TP_60D40	Keystone	5003
42	2	T1,T2	Pulse - J0011D01BNL	th_conn_pulse_rj45_j0026	Pulse Electronics	553-1483-ND
43	1	U1	3_Amp	TH_DC-DC_VERT_5PIN_P67	Murata	OKR-T/3-W12-C
44	1	U2	TPS3125	SOT23_5	TI	TPS3125L30DBVR
45	1	U3	74LVC1G14	SOT23_5	TI	SN74LVC1G14DCKR
46	1	U4	LAN9354_QFN56	IC_QFN56_8X8MM	Microchip	LAN9354
47	1	U5	IC Base	IC_DIP8_300	Assmann WSW Components	AR08-HZL-TT-R
48	1	U5	24C512	IC_DIP8_300	Microchip	24FC512-I/P
49	1	Y1	25.000MHz	XTAL_HCM49	Cardinal Components Inc.	CSM1Z-A5B2C5-40-25.0D18-F

**NOTES:**



# MICROCHIP

## Worldwide Sales and Service

### AMERICAS

#### Corporate Office

2355 West Chandler Blvd.  
Chandler, AZ 85224-6199  
Tel: 480-792-7200  
Fax: 480-792-7277  
Technical Support:  
<http://www.microchip.com/support>

Web Address:

[www.microchip.com](http://www.microchip.com)

#### Atlanta

Duluth, GA  
Tel: 678-957-9614  
Fax: 678-957-1455

#### Austin, TX

Tel: 512-257-3370

#### Boston

Westborough, MA  
Tel: 774-760-0087  
Fax: 774-760-0088

#### Chicago

Itasca, IL  
Tel: 630-285-0071  
Fax: 630-285-0075

#### Cleveland

Independence, OH  
Tel: 216-447-0464  
Fax: 216-447-0643

#### Dallas

Addison, TX  
Tel: 972-818-7423  
Fax: 972-818-2924

#### Detroit

Novi, MI  
Tel: 248-848-4000

#### Houston, TX

Tel: 281-894-5983

#### Indianapolis

Noblesville, IN  
Tel: 317-773-8323  
Fax: 317-773-5453

#### Los Angeles

Mission Viejo, CA  
Tel: 949-462-9523  
Fax: 949-462-9608

#### New York, NY

Tel: 631-435-6000

#### San Jose, CA

Tel: 408-735-9110

#### Canada - Toronto

Tel: 905-673-0699  
Fax: 905-673-6509

### ASIA/PACIFIC

#### Asia Pacific Office

Suites 3707-14, 37th Floor  
Tower 6, The Gateway  
Harbour City, Kowloon

#### Hong Kong

Tel: 852-2943-5100  
Fax: 852-2401-3431

#### Australia - Sydney

Tel: 61-2-9868-6733  
Fax: 61-2-9868-6755

#### China - Beijing

Tel: 86-10-8569-7000  
Fax: 86-10-8528-2104

#### China - Chengdu

Tel: 86-28-8665-5511  
Fax: 86-28-8665-7889

#### China - Chongqing

Tel: 86-23-8980-9588  
Fax: 86-23-8980-9500

#### China - Dongguan

Tel: 86-769-8702-9880

#### China - Hangzhou

Tel: 86-571-8792-8115  
Fax: 86-571-8792-8116

#### China - Hong Kong SAR

Tel: 852-2943-5100  
Fax: 852-2401-3431

#### China - Nanjing

Tel: 86-25-8473-2460  
Fax: 86-25-8473-2470

#### China - Qingdao

Tel: 86-532-8502-7355  
Fax: 86-532-8502-7205

#### China - Shanghai

Tel: 86-21-5407-5533  
Fax: 86-21-5407-5066

#### China - Shenyang

Tel: 86-24-2334-2829  
Fax: 86-24-2334-2393

#### China - Shenzhen

Tel: 86-755-8864-2200  
Fax: 86-755-8203-1760

#### China - Wuhan

Tel: 86-27-5980-5300  
Fax: 86-27-5980-5118

#### China - Xian

Tel: 86-29-8833-7252  
Fax: 86-29-8833-7256

### ASIA/PACIFIC

#### China - Xiamen

Tel: 86-592-2388138  
Fax: 86-592-2388130

#### China - Zhuhai

Tel: 86-756-3210040  
Fax: 86-756-3210049

#### India - Bangalore

Tel: 91-80-3090-4444  
Fax: 91-80-3090-4123

#### India - New Delhi

Tel: 91-11-4160-8631  
Fax: 91-11-4160-8632

#### India - Pune

Tel: 91-20-3019-1500

#### Japan - Osaka

Tel: 81-6-6152-7160  
Fax: 81-6-6152-9310

#### Japan - Tokyo

Tel: 81-3-6880-3770  
Fax: 81-3-6880-3771

#### Korea - Daegu

Tel: 82-53-744-4301  
Fax: 82-53-744-4302

#### Korea - Seoul

Tel: 82-2-554-7200  
Fax: 82-2-558-5932 or  
82-2-558-5934

#### Malaysia - Kuala Lumpur

Tel: 60-3-6201-9857  
Fax: 60-3-6201-9859

#### Malaysia - Penang

Tel: 60-4-227-8870  
Fax: 60-4-227-4068

#### Philippines - Manila

Tel: 63-2-634-9065  
Fax: 63-2-634-9069

#### Singapore

Tel: 65-6334-8870  
Fax: 65-6334-8850

#### Taiwan - Hsin Chu

Tel: 886-3-5778-366  
Fax: 886-3-5770-955

#### Taiwan - Kaohsiung

Tel: 886-7-213-7828

#### Taiwan - Taipei

Tel: 886-2-2508-8600  
Fax: 886-2-2508-0102

#### Thailand - Bangkok

Tel: 66-2-694-1351  
Fax: 66-2-694-1350

### EUROPE

#### Austria - Wels

Tel: 43-7242-2244-39  
Fax: 43-7242-2244-393

#### Denmark - Copenhagen

Tel: 45-4450-2828  
Fax: 45-4485-2829

#### France - Paris

Tel: 33-1-69-53-63-20  
Fax: 33-1-69-30-90-79

#### Germany - Dusseldorf

Tel: 49-2129-3766400

#### Germany - Munich

Tel: 49-89-627-144-0  
Fax: 49-89-627-144-44

#### Germany - Pforzheim

Tel: 49-7231-424750

#### Italy - Milan

Tel: 39-0331-742611  
Fax: 39-0331-466781

#### Italy - Venice

Tel: 39-049-7625286

#### Netherlands - Drunen

Tel: 31-416-690399  
Fax: 31-416-690340

#### Poland - Warsaw

Tel: 48-22-3325737

#### Spain - Madrid

Tel: 34-91-708-08-90  
Fax: 34-91-708-08-91

#### Sweden - Stockholm

Tel: 46-8-5090-4654

#### UK - Wokingham

Tel: 44-118-921-5800  
Fax: 44-118-921-5820

01/27/15