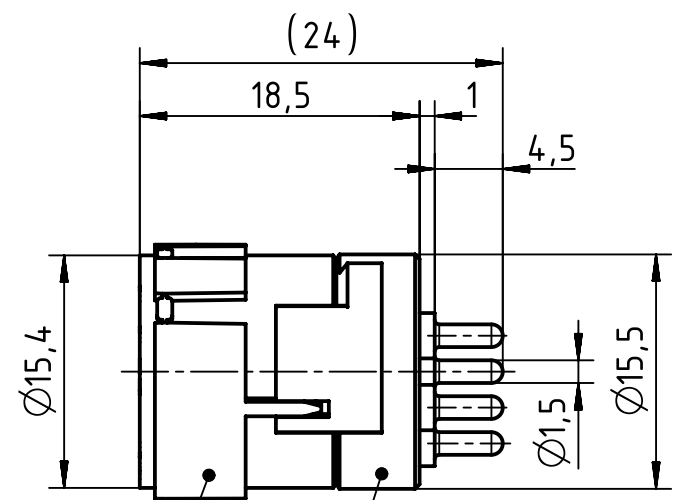
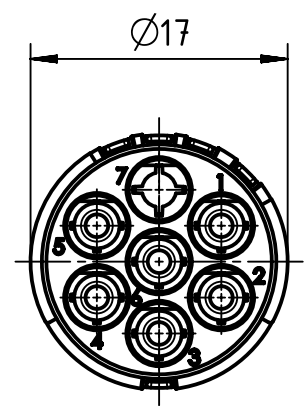
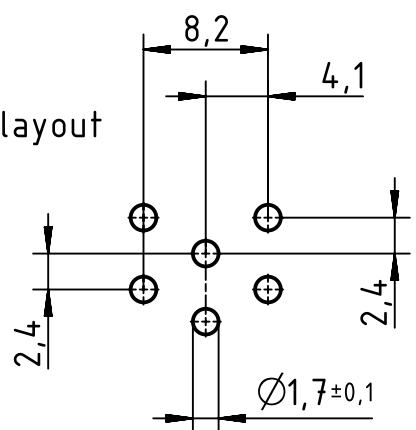
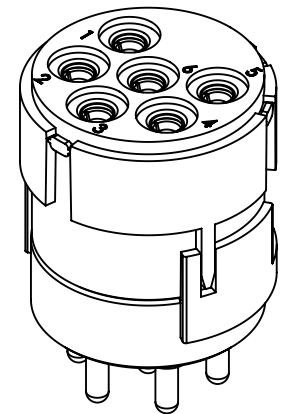


PCB layout



upper part, female

bottom part, female



	All Dimensions in mm Original Size DIN A4		Scale 2:1		Free size tol.		Ref.			
	All rights reserved Department EL PD - DE		Created by HELLMANN		Inspected by RIEPE		Standardisation RUETERA			
HARTING Electric GmbH & Co. KG D-32339 Espelkamp		Title Han M23 06 Female -E					Date 2017-02-23		State Final Release	
		Type TB					Number 09 15 106 2703		Doc-Key / ECM-Nr. 100706093/UGD/000/A 500000115496	
							Rev. A		Page 1/1	