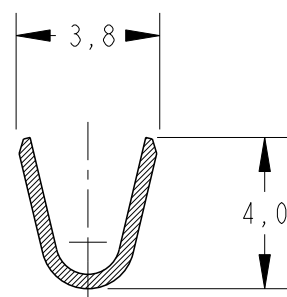
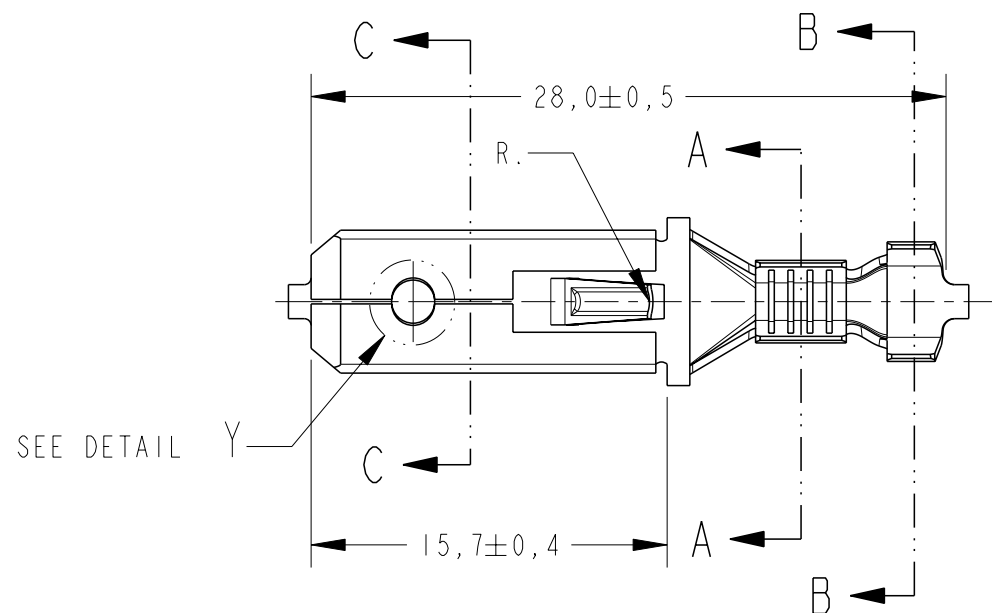


LOC AP

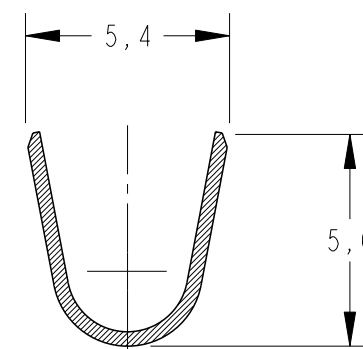
DIST -

REVISIONS

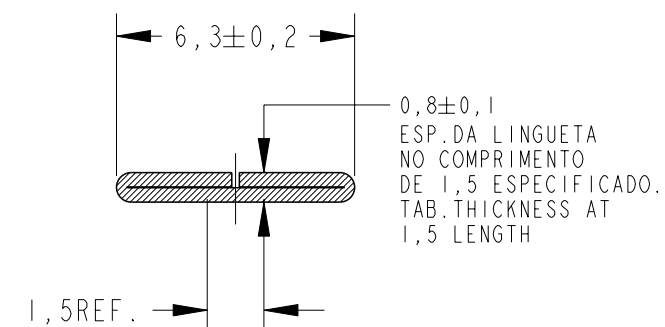
P	LTR	DESCRIPTION	DATE	DWN	APVD
	G4	REDRAW BY CAD	20AUG2012	NCL	DAO



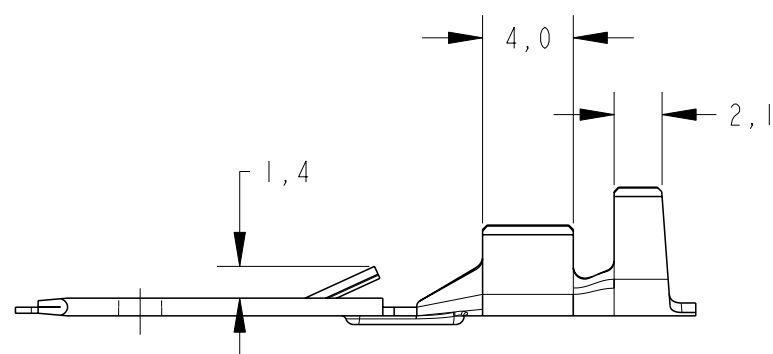
SECTION A-A SCALE 5:1



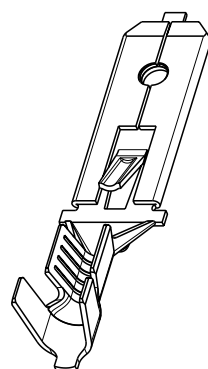
SECTION B-B SCALE 5:1



SECTION C-C SCALE 5:1



DETAIL Y SCALE 5:1 CONSTRUÇÃO OPCIONAL OPTIONAL CONSTRUCTION



PERSPECTIVE VIEW SCALE 2:1

INS. RANGE	WIRE RANGE	LOOSE PIECE	FINISH	MATERIAL	PART NUMBER
∅ 2,7-3,7mm	1,0-2,5mm <sup>2</sup>				
<b>OBSOLETE</b>	880654 -8	PRATEADO/SILVER PLATED	BRONZE FOSF./PHOSP BRONZE	880636 -8	
	880654 -7	PRATEADO/SILVER PLATED	LATÃO / BRASS	880636 -7	
<b>OBSOLETE</b>	880654 -6	PRÉ ESTANHADO/PRE-TIN	BRONZE FOSF./PHOSP BRONZE	880636 -6	
<b>OBSOLETE</b>	880654 -5	PRÉ ESTANHADO/PRE-TIN	LATÃO / BRASS	880636 -5	
<b>OBSOLETE</b>	880654 -4	ESTANHADO/ELECTRO-TIN	BRONZE FOSF./PHOSP BRONZE	880636 -4	
	880654 -3	---	BRONZE FOSF./PHOSP BRONZE	880636 -3	
	880654 -2	ESTANHADO/ELECTRO-TIN	LATÃO / BRASS	880636 -2	
	880654 -1	---	LATÃO / BRASS	880636 -1	

THIS DRAWING IS A CONTROLLED DOCUMENT.		DWN NCLAPRESA 13JUL2012	TE Connectivity <b>TERMINAL FASTIN-FASTON .250 TAB</b>			
DIMENSIONS: mm		CHK JRGOLDSCHMIDT 13JUL2012				
TOLERANCES UNLESS OTHERWISE SPECIFIED:		APVD DAOLIVEIRA 13JUL2012				
0 PLC ±- 1 PLC ±0,3 2 PLC ±- 3 PLC ±- 4 PLC ±- ANGLES ±1° FINISH SEE TABLE		PRODUCT SPEC -				
MATERIAL SEE TABLE		APPLICATION SPEC -	SIZE A3	CAGE CODE 00779	DRAWING NO C-880636	RESTRICTED TO -
CUSTOMER DRAWING			SCALE 3:1	SHEET 1 OF 1	REV G4	