

**SPECIFICATIONS:**

Analog I/Os: (See Note 1)

- 0 - 5 V DC output, 8 - 30 V DC input, 35 mA max.
- 0.5 - 4.5 V DC output, 8 - 30 V DC input, 35 mA max.
- 0 - 10 V DC output, 12 - 30 V DC input, 35 mA max.
- 4 - 20 mA DC output, 18 - 30 V DC input, 60 mA max. (75 C max.)

Measuring Ranges: See range table

Zero and Full Scale: SenSet Adjustable

Linearity Error: ±0.15% of FSO (Full Span Output) typical, ±0.25% max.

Resolution: 0.025% of FSO

Update Rate: 300 Hz nominal

Operating Temperature Range: -20 to 85 C (-40 to 105 C extended temp.)

Temperature coefficient: ≤±0.015% of FSO/K

Humidity: 95% RH non-condensing

Vibration: 5 - 20 Hz, 0.5 inch p-p; 20 - 2000 Hz, 4.2 g p-p

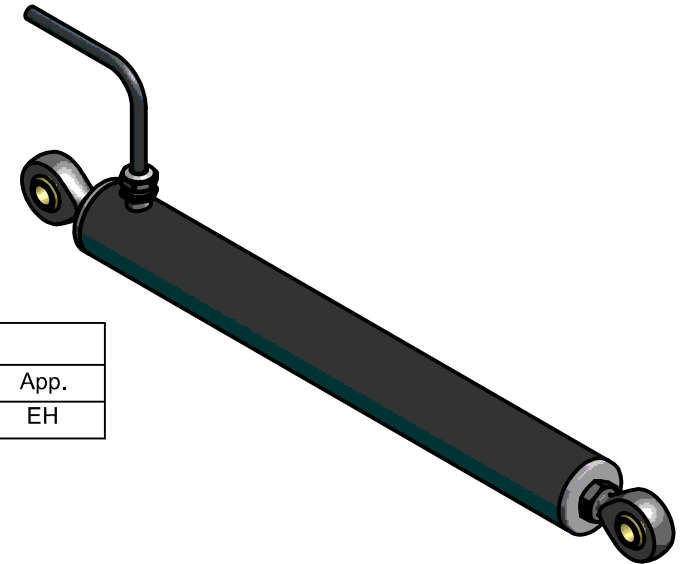
Shock: 1000 g, 11 msec.

Sealing: IEC IP-67

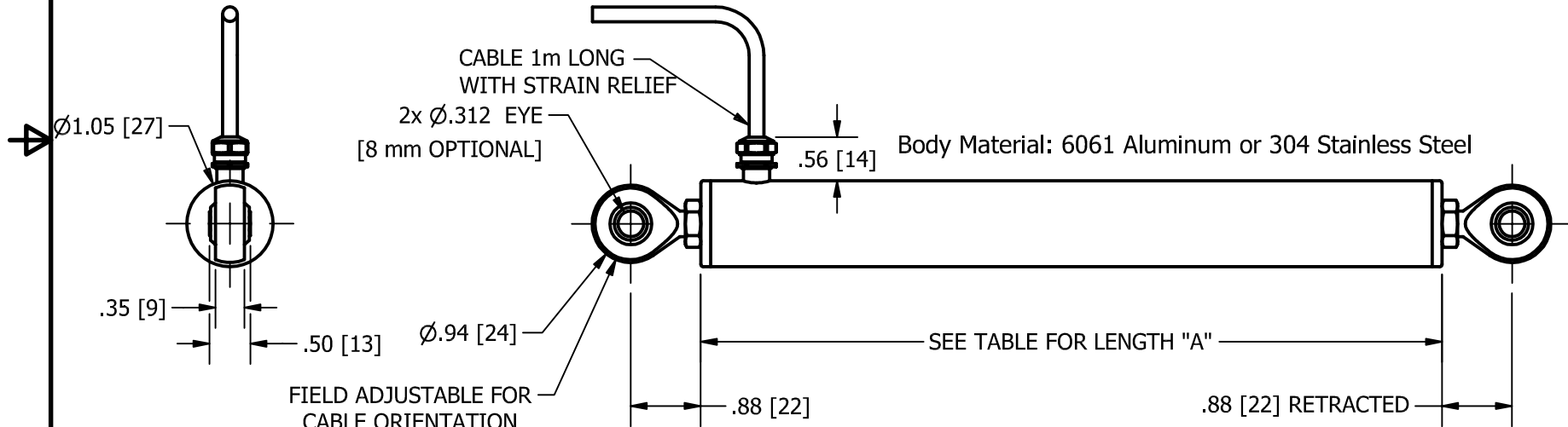
Note 1: Analog output is maximum with rod extended; see technical data sheet to specify reversed output.

Specifications are subject to change without notice.

I/O Function	Cable Color
+ Power Input	Red
Ground	Black
Analog output	Green
SenSet™	White



Rev	Description	Date	App.
A	Edit Specs, add Wire Table	2/5/15	EH



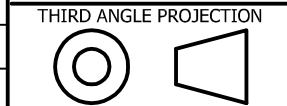
**UNIT LENGTH TABLE**

LINEAR RANGE	"A" BODY LENGTH
2.0 INCHES [50 mm]	5.00 INCHES [127.0 mm]
3.0 INCHES [75 mm]	6.00 INCHES [152.4 mm]
4.0 INCHES [100 mm]	7.00 INCHES [177.8 mm]
6.0 INCHES [150 mm]	9.00 INCHES [228.6 mm]
8.0 INCHES [200 mm]	11.00 INCHES [279.4 mm]
10.0 INCHES [250 mm]	13.00 INCHES [330.2 mm]

**UNLESS OTHERWISE SPECIFIED:**

1. DO NOT SCALE DRAWING
2. DIMENSIONS ARE IN INCHES
3. INTERPRET PER ANSI Y14.5M-1994
4. DEBURR/BREAK SHARP EDGES
5. DIMS ARE BEFORE FINISH
6. (DATA) FOR REFERENCE ONLY

DECIMAL	ANGULAR
.XX ±.010	±.5°
.XXX ±.005	



DRAWN G BARRETT 9/6/14 ENGINEER
CHECKED
QA
MFG
APPROVED: XX XXXXXX 9/6/14

**ALLIANCE SENSORS GROUP**

A DIVISION OF H. G. SCHAEVITZ LLC  
MOORESTOWN, NEW JERSEY USA [alliancesensors.com](http://alliancesensors.com)

**LRX-27-R SERIES OUTLINE**

SIZE A	DWG NO 3000-0013-XX	REV A
SCALE NONE	REV_11_20_14	SHEET 1 OF 1