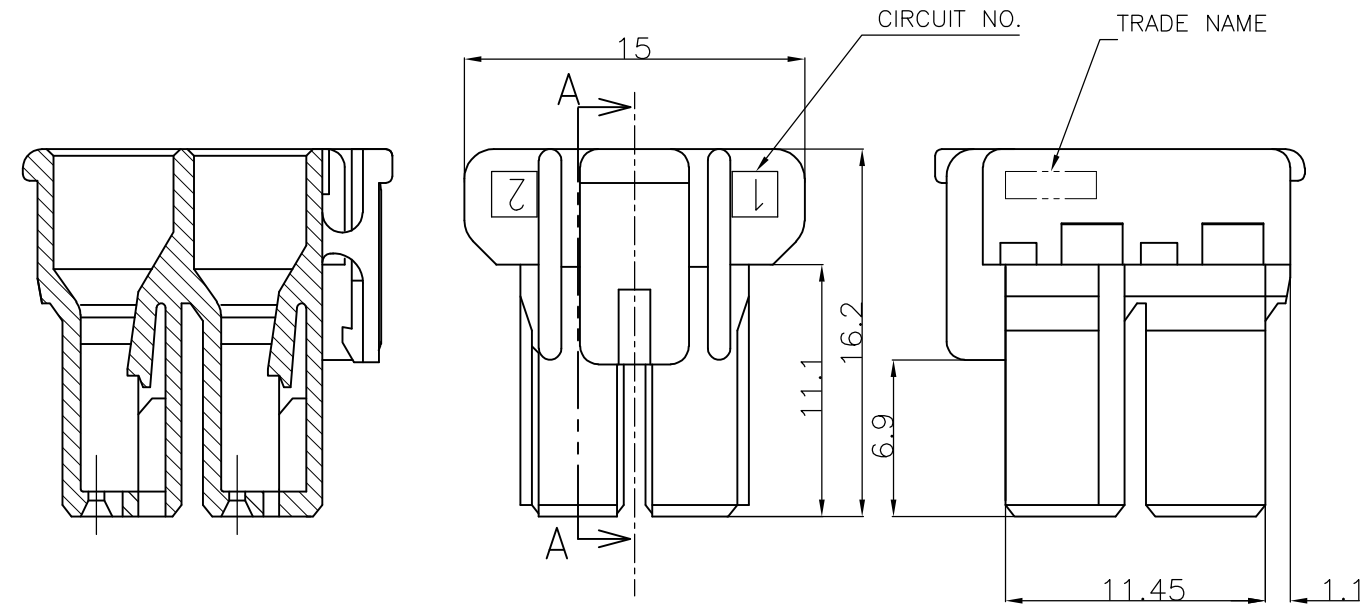
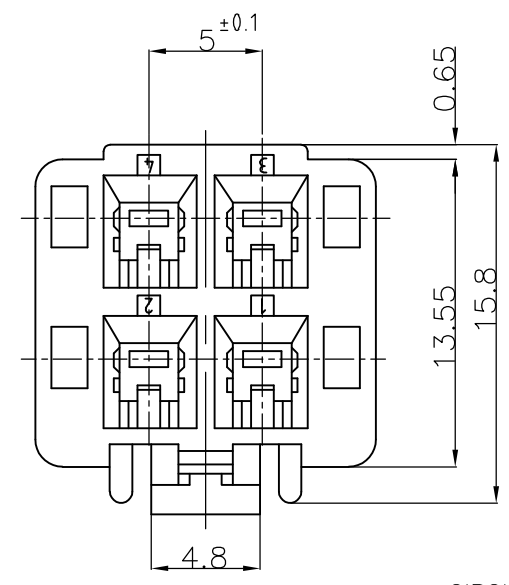
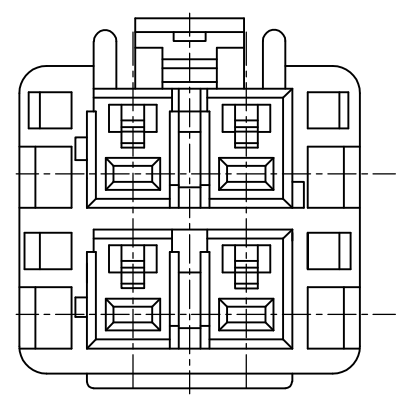


THIS DRAWING IS UNPUBLISHED. RELEASED FOR PUBLICATION
 © COPYRIGHT - By - ALL RIGHTS RESERVED.

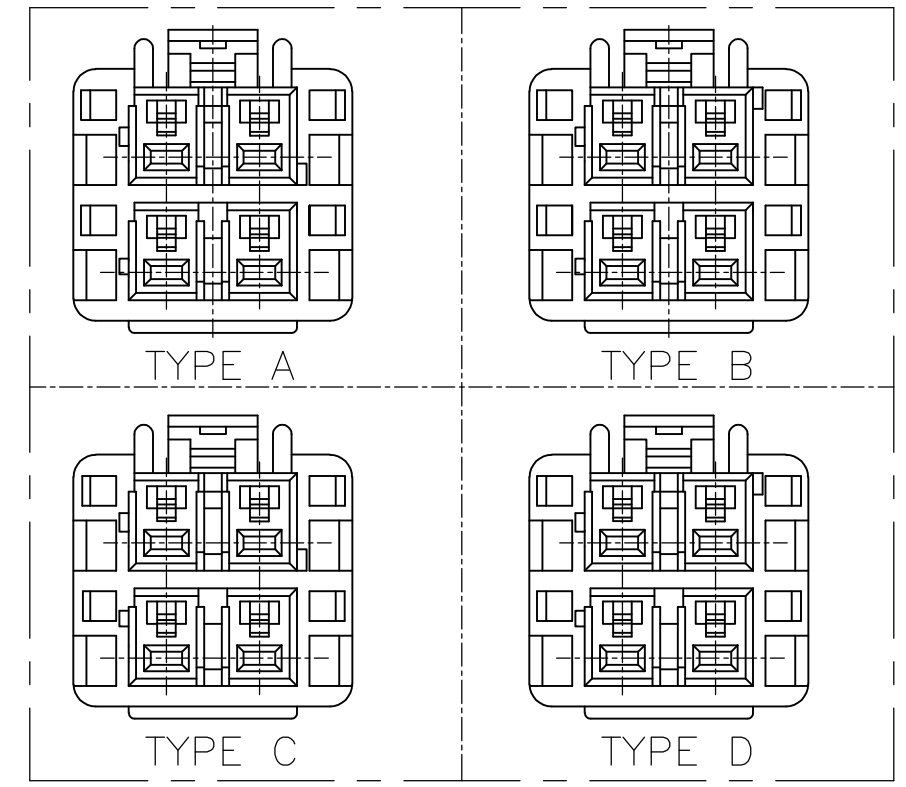
REVISIONS					
P	LTR	DESCRIPTION	DATE	DWN	APVD
	C2	REVISED PER ECR-16-007444	30MAY2016	NK	SC



SECT A-A



THE TYPE OF KEYING



- 1 MATING CONN. P/N
 HEADER ASS'Y :SEE TABLE
 REC CONTACT ;1376347-1,1376348-1
- 2 PARTS MEET IEC 60335-1 (GWT GLOW WIRE TEST 750 DEGREE SPEC)
- 3 NYLON 66, GWT, V-0.

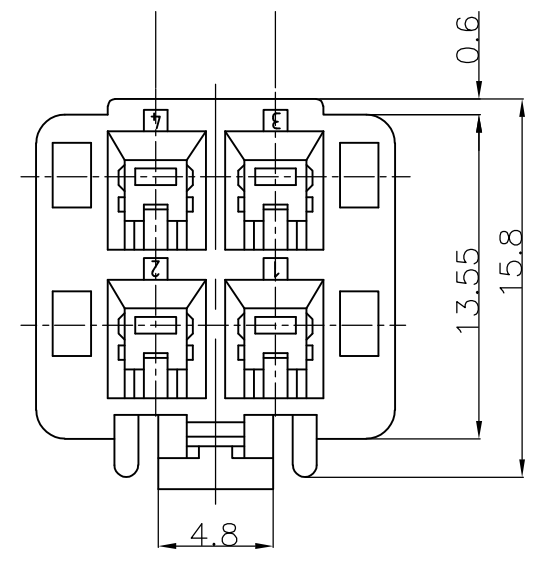
(HOSING)	(6/6 NYLON GRASS FILLED)
(NAME)	(MATERIAL)

3	1376394-1	3-1376386-4	TYPE D	YELLOW	4Pos	3-1376392-4
3	1376394-1	2-1376386-3	TYPE C	BLUE	4Pos	2-1376392-3
3	1376394-1	1-1376386-2	TYPE B	RED	4Pos	1-1376392-2
3	1376394-1	1376386-1	TYPE A	NATURAL	4Pos	1376392-1
	APPLICABLE PLATE. P/N	MATING CONN. P/N	THE TYPE OF KEYING	Color	Pos	PART NO.

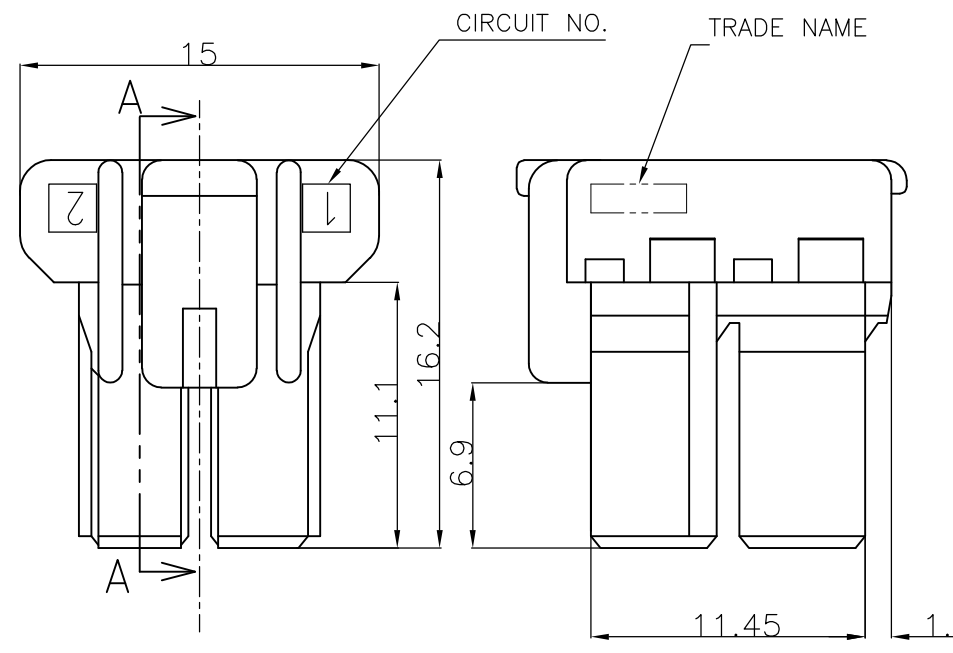
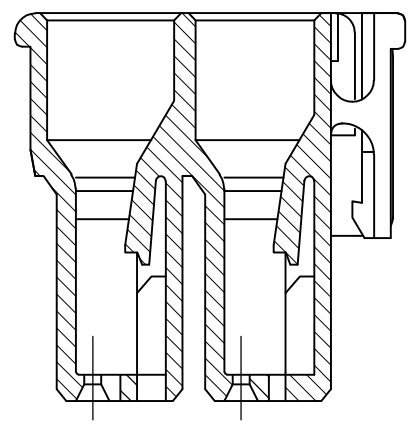
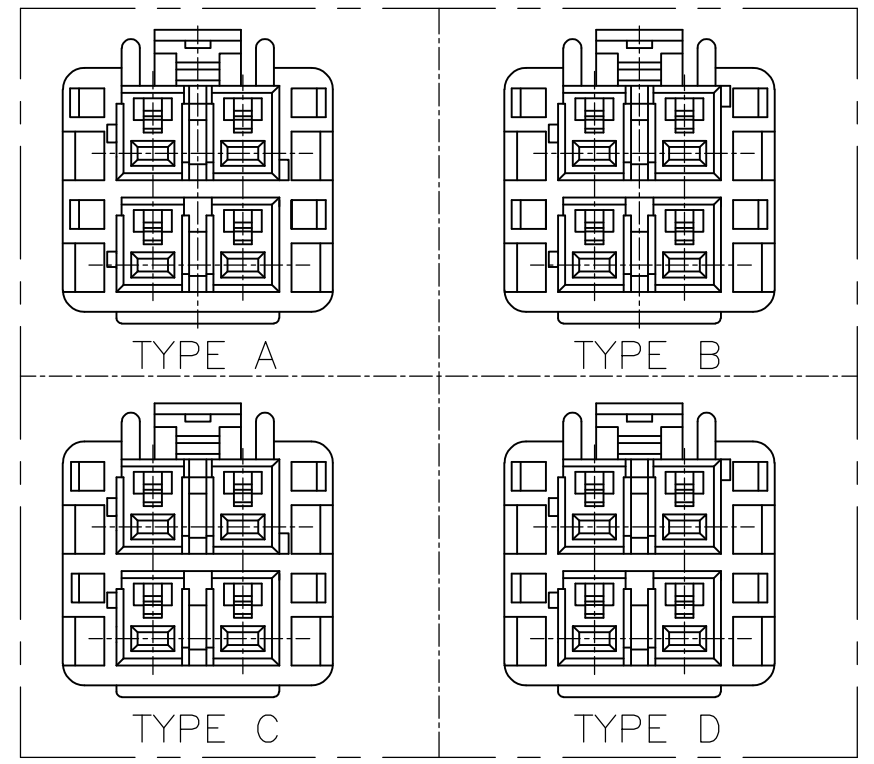
THIS DRAWING IS A CONTROLLED DOCUMENT.		DWN A.OISHI 31AUG00	TE Connectivity 5.0 POWER KEY CONNECTOR 4P PLUG HOUSING(2ROW)			
DIMENSIONS: mm		CHK Y.KASHIWA 28AUG'00				
TOLERANCES UNLESS OTHERWISE SPECIFIED:		APVD Y.KASHIWA 28AUG'00	NAME			
0 PLC ± 0.2 1 PLC ± 0.2 2 PLC ± 0.2 3 PLC ± 4 PLC ± ANGLES ± 1°		PRODUCT SPEC 108-5699	SIZE			
MATERIAL SEE TABLE		FINISH SEE TABLE	APPLICATION SPEC 114-5292		CAGE CODE A300779	DRAWING NO C-1376392
		CUSTOMER DRAWING		RESTRICTED TO	SCALE 3:1	SHEET 1 OF 2
				REV C2		

THIS DRAWING IS UNPUBLISHED. RELEASED FOR PUBLICATION
 © COPYRIGHT - By - ALL RIGHTS RESERVED.

REVISIONS					
P	LTR	DESCRIPTION	DATE	DWN	APVD
-	-	SEE SHEET 1	-	-	-



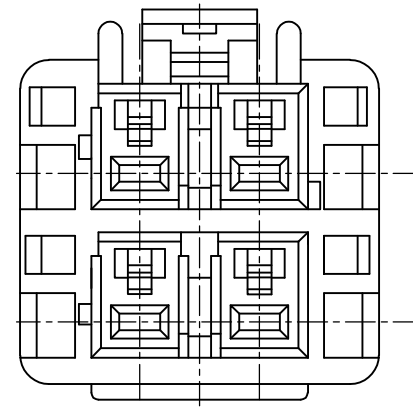
THE TYPE OF KEYING



1 MATING CONN. P/N
 HEADER ASS'Y :SEE TABLE
 REC CONTACT ;1376347-1,1376348-1

HOSING	6 / 6 NYLON
(NAME)	(MATERIAL)

SECT A-A



1376394-1	3-1376386-5	TYPE D	YELLOW	4Pos	3-1376392-5
1376394-1	2-1376386-4	TYPE C	BLUE	4Pos	2-1376392-4
1376394-1	1-1376386-3	TYPE B	RED	4Pos	1-1376392-3
1376394-1	1376386-2	TYPE A	NATURAL	4Pos	1376392-2
APPLICABLE PLATE. P/N	MATING CONN. P/N	THE TYPE OF KEYING	Color	Pos	PART NO.

THIS DRAWING IS A CONTROLLED DOCUMENT.		DWN A.OISHI 31AUG00	STE TE Connectivity		
DIMENSIONS: mm		CHK Y.KASHIWA 28AUG'00			
TOLERANCES UNLESS OTHERWISE SPECIFIED:		APVD Y.KASHIWA 28AUG'00	NAME 5.0 POWER KEY CONNECTOR 4P PLUG HOUSING(2ROW)		
0 PLC ± 0.2 1 PLC ± 0.2 2 PLC ± 0.2 3 PLC ± 4 PLC ± ANGLES ± 1°		PRODUCT SPEC 108-78863	APPLICATION SPEC 114-5292		
MATERIAL SEE TABLE		FINISH SEE TABLE	WEIGHT A300779	SIZE C-1376392	RESTRICTED TO -
CUSTOMER DRAWING			SCALE 3:1	SHEET 2 OF 2	REV C2