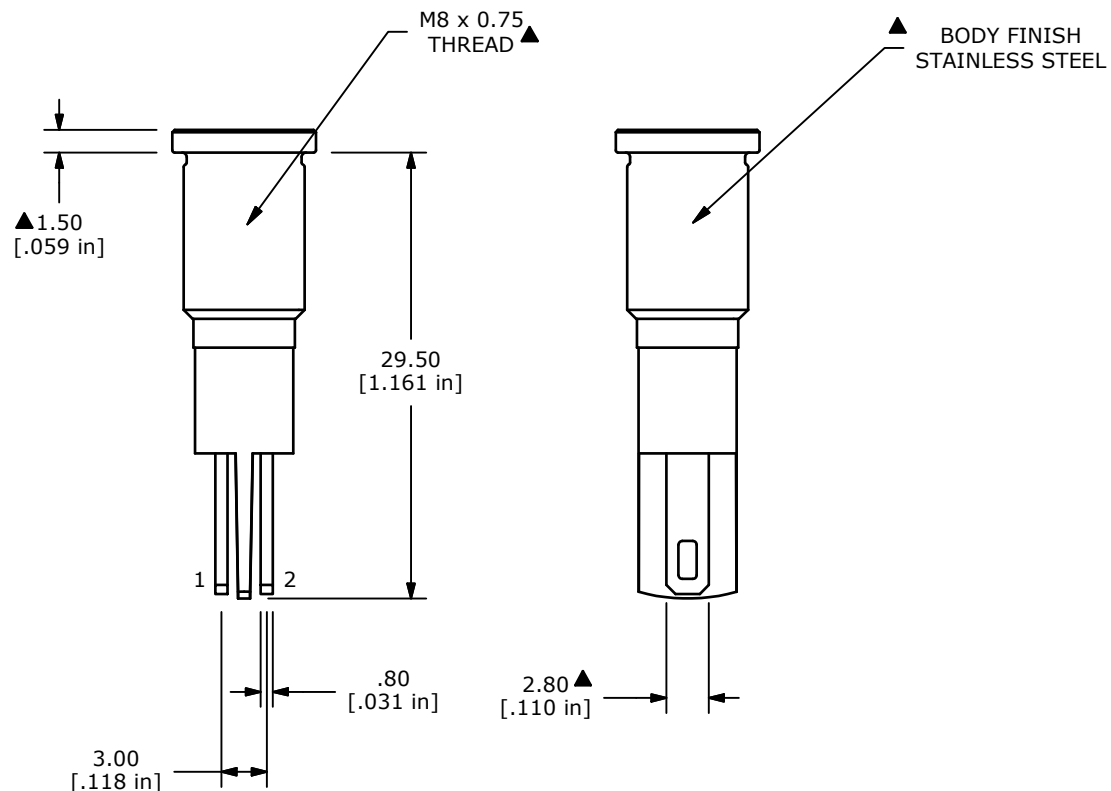
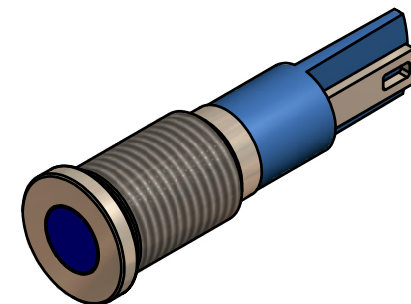
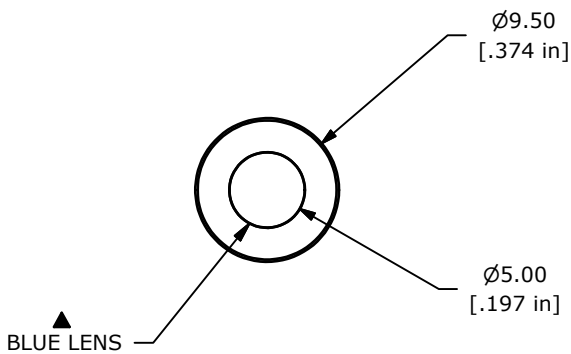
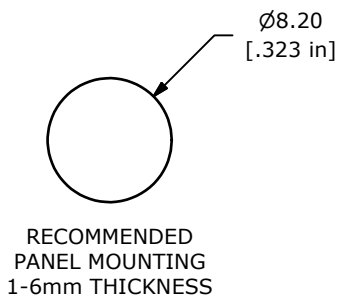


LED SCHEMATIC



- NOTE:
1. ALL DIMENSIONS IN MM [INCH]
  2. GENERAL TOLERANCE: X.X = ±0.4  
X.XX = ±0.25
  3. TERMINAL NUMBERS FOR REF ONLY
  4. OPERATING TEMP: -25°C to 55°C
  5. CURRENT RATING: 2mA-20mA
  - ▲ 6. LAMP VOLTAGE: 2.8V
  7. IP RATING: IP67
  8. ▲ DENOTES CRITICAL PARAMETER.
  9. HARDWARE SUPPLIED: O-RING AND HEXNUT
  10. 2002/95/EC (ROHS) COMPLIANT.



TITLE PVL08FLS41

A	22135	New Release	1/27/16	rc
REV	PCR NO	DESCRIPTION	DATE	BY

THE INFORMATION CONTAINED IN THIS DOCUMENT IS PROPRIETARY TO E-SWITCH AND IS NOT TO BE COPIED OR TRANSFERRED

SCALE 2:1	DATE 1/27/2016	DR rc	DWG 52-PVL08FLS41	REV A
--------------	-------------------	----------	----------------------	----------