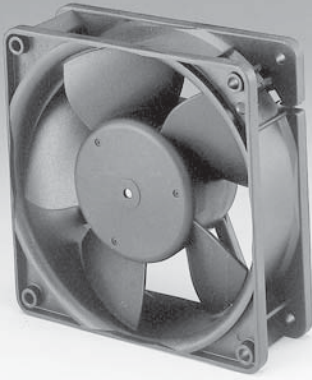


4200 Series

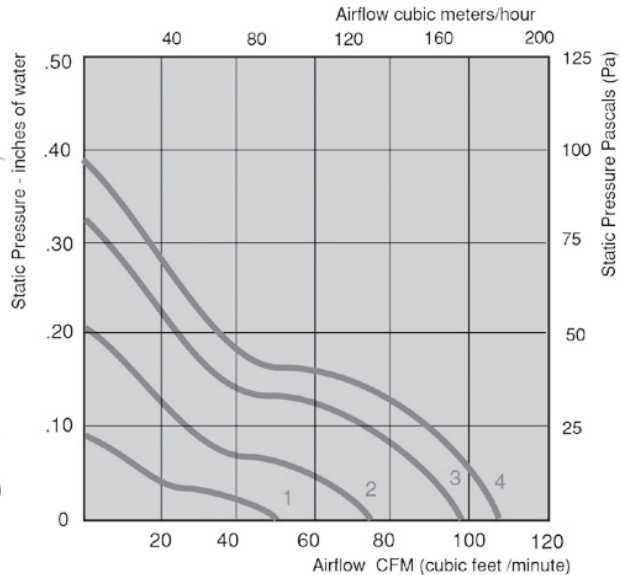
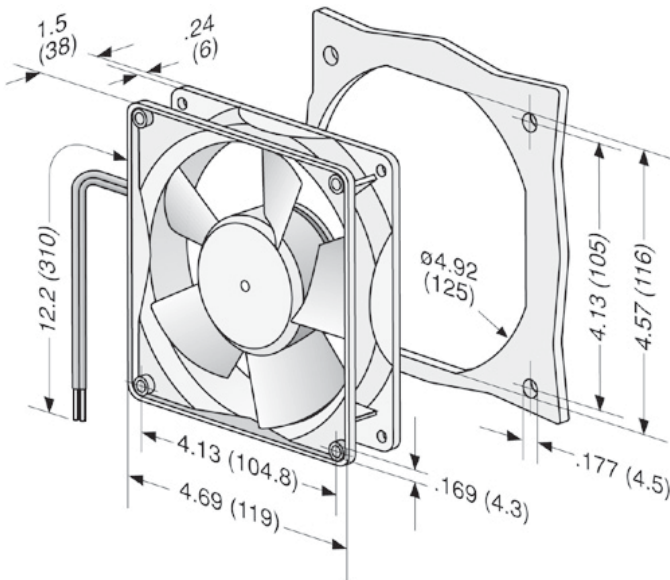
Tubeaxial

119x119x38mm



- DC fans with electronically commutated external rotor motor. Fully integrated commutation electronics.
- With electronic protection against reverse polarity, blocking and overloading by PTC-resistor; partially impedance protected.
- Mounting from either face using four 4.3 mm holes.
- Fan of fiberglass reinforced plastic. PBTP housing, PA impeller.
- Air exhaust over struts. Rotational direction CCW looking at rotor.
- Electrical connection via leads AWG 22, TR 64. Stripped and tinned ends.
- UL, CSA, VDE approvals on some models, please contact application engineering.

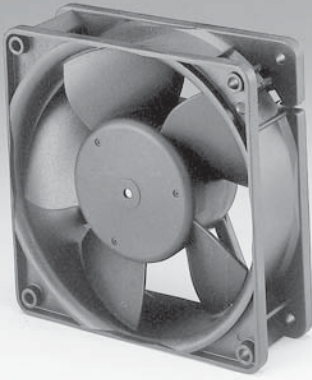
Part Number	Curve	CFM @ 0	VDC	Volt. Range	Power (W)	dBA	Max Amb. Temp C	Bearing Type	Features	Wgt. (lbs)
4212L	1	51	12	7 to 14.5	1.2	29	75	Ball	Leads	0.63
4212GM	2	75	12	7 to 14.5	2.2	38	75	Sintec	Leads	0.63
4212M	2	75	12	7 to 14.5	2.2	38	75	Ball	Leads	0.63
4292GM	2	75	12	7 to 14.5	2.2	38	75	Sintec	Terminals	0.63
4212	3	97	12	7 to 14.5	4.3	45	75	Ball	Leads	0.63
4212/2	3	97	12	7 to 14.5	4.3	45	75	Ball	Leads	0.63
4212/12	3	97	12	7 to 14.5	4.3	45	75	Ball	Leads	0.63
4292	3	97	12	7 to 14.5	4.3	45	75	Ball	Terminals	0.63
4212H	4	108	12	7 to 14.5	5.3	49	65	Ball	Leads	0.63
4214L	3	51	24	12 to 28	1.2	29	75	Ball	Leads	0.63
4214	3	97	24	12 to 28	4.3	45	75	Ball	Leads	0.63
4214G	3	97	24	12 to 28	4.3	45	75	Sintec	Leads	0.63
4294	3	97	24	12 to 28	4.3	45	75	Ball	Terminals	0.63



4200 Series cont.

Tubeaxial

119x119x38mm



- DC fans with electronically commutated external rotor motor. Fully integrated commutation electronics.
- With electronic protection against reverse polarity, blocking and overloading by PTC-resistor; partially impedance protected.
- Mounting from either face using four 4.3 mm holes.

- Fan of fiberglass reinforced plastic. PBTP housing, PA impeller.
- Air exhaust over struts. Rotational direction CCW looking at rotor.
- Electrical connection via leads AWG 22, TR 64. Stripped and tinned ends.
- UL, CSA, VDE approvals on some models, please contact application engineering.

Part Number	Curve	CFM @ 0	VDC	Volt. Range	Power (W)	dBA	Max Amb. Temp C	Bearing Type	Features	Wgt. (lbs)
4214GH	3	108	24	12 to 28	5.3	49	75	Sintec	Leads	0.63
4214H	4	108	24	12 to 28	5.3	49	65	Ball	Leads	0.63
4294H	4	108	24	12 to 28	5.3	49	65	Ball	Terminals	0.63
4218	3	97	48	36 to 56	4.3	45	75	Ball	Leads	0.63
4218/2	3	97	48	36 to 56	4.3	45	75	Ball	Leads	0.63
4298	3	97	48	36 to 56	4.3	45	75	Ball	Terminals	0.63
4218H	4	108	48	36 to 56	5.9	49	65	Ball	Terminals	0.63
4298H	4	108	48	36 to 56	5.6	49	65	Ball	Terminals	0.63

