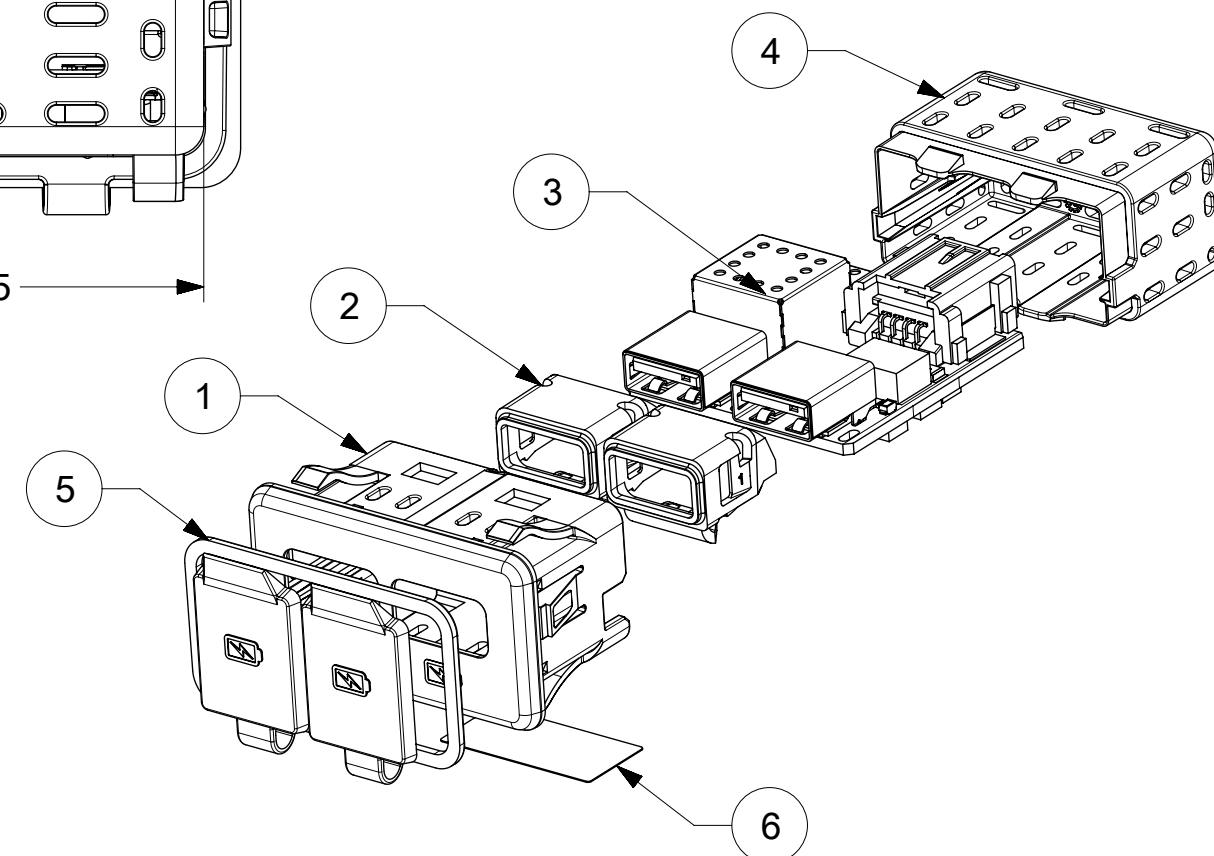
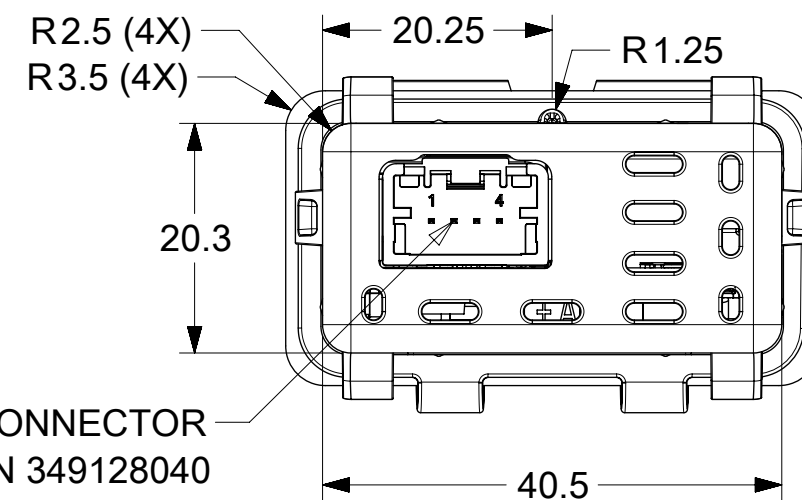
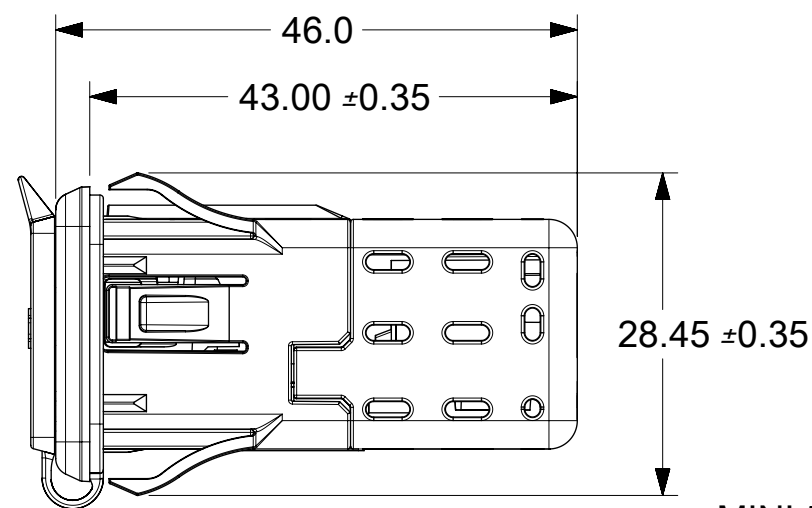
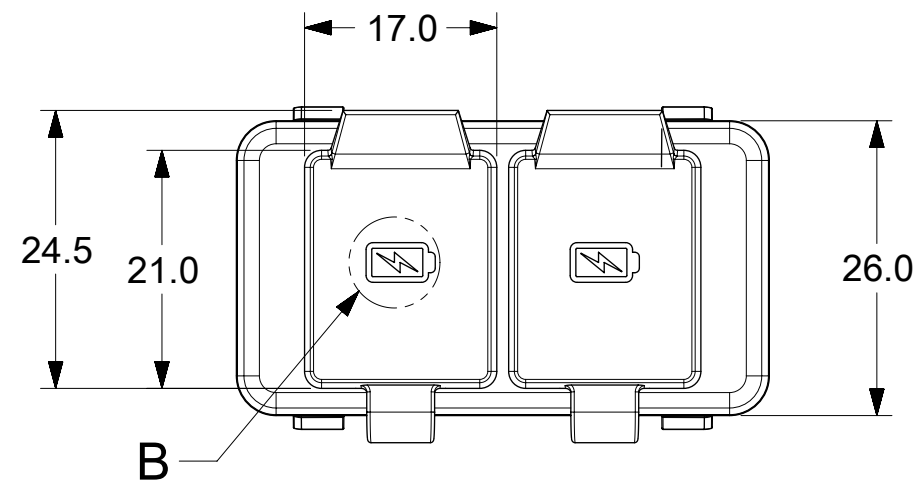


ENCLOSURE PART NUMBER

BILL OF MATERIAL

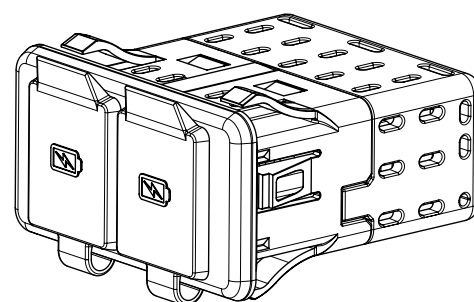
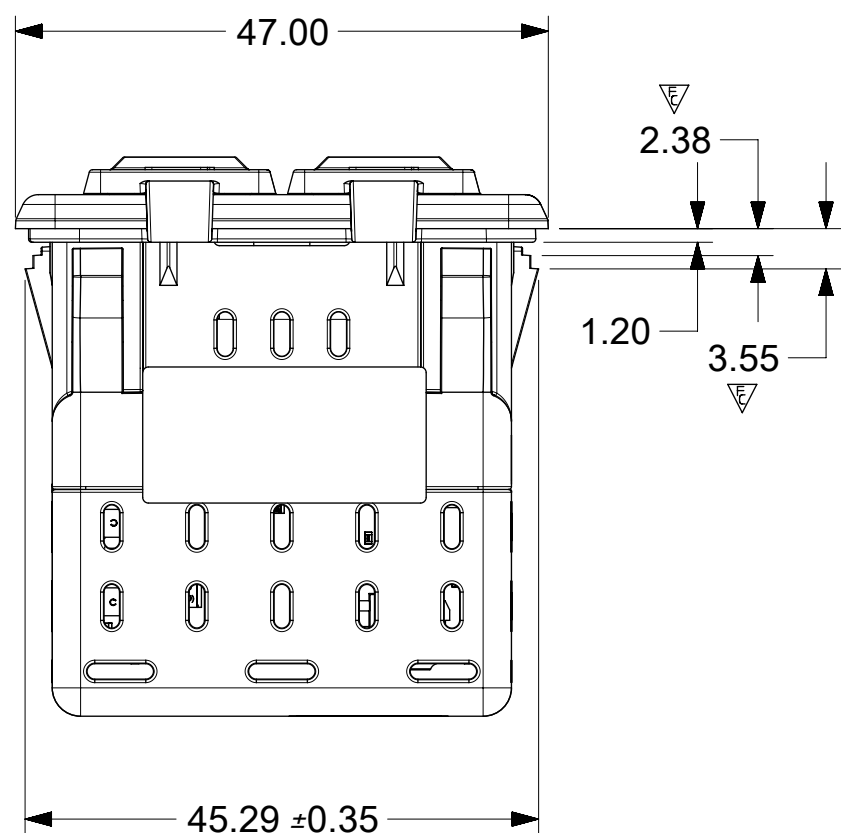
DATE	REV	DESCRIPTION
2017/05/18	A	RELEASE DRAWING

ITEM	MOLEX PART NUMBER	DESCRIPTION	COLOR	ITEM	PART NUMBER	DESCRIPTION	QTY
1	685324461	DUAL PORT USB CHARGER NO DUST COVER	BLACK	1	172057520	Front Housing	1
2	685324462	DUAL PORT USB CHARGER DUST COVER	BLACK	2	172050300	Light Pipe	2
				3	685324440	PCBA Dual Small Charger	1
				4	172045210	Rear Housing	1
				5	172057540	Rubber Cover	1
				6	172007905	Label 25 X 12 mm	1

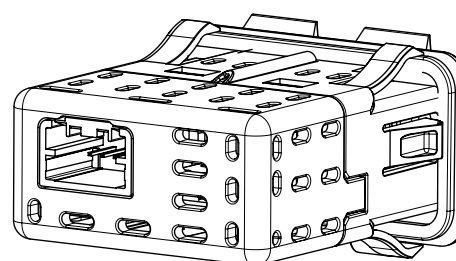


MINI 50 CONNECTOR  
4 WAY P/N 349128040  
WIRING HARNESS  
MATING CONNECTOR:  
MOLEX 347910040

PIN OUTS		
PIN	FUNCTION	CURRENT
1	Bat +	2,200 mA
2	NC	-
3	NC	-
4	Bat -	2,200 mA



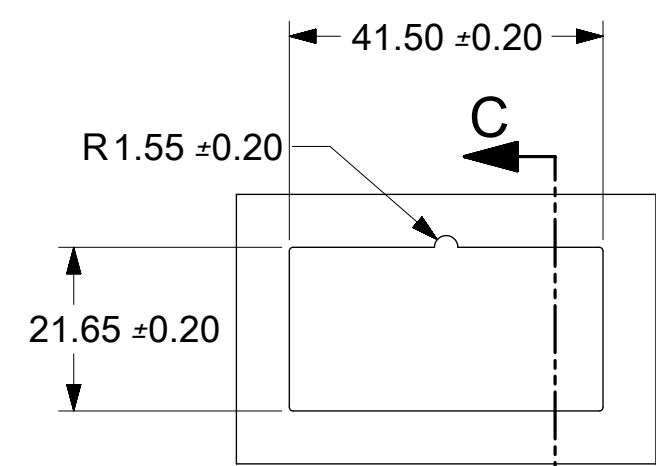
FRONT ISOMETRIC VIEW



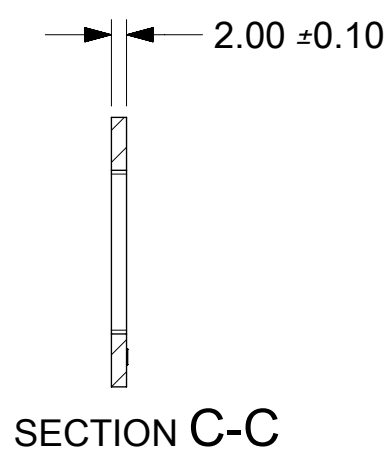
REAR ISOMETRIC VIEW

NOTES:

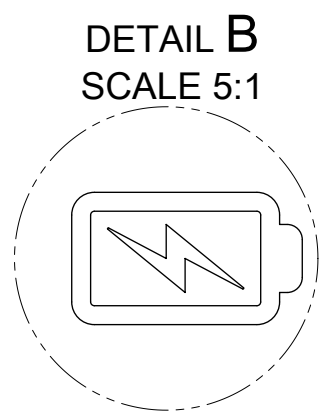
- MATERIALS**
  - FRONT HOUSING: PC+ABS, CYCLOLOY LG9000, PG05 BLACK
  - SURFACE FINISH (FACEPLATE): NISSAN#424
  - PAD PRINTING ON COVER AND FRONT HOUSING: 2 BATTERY LOGOS
  - WHITE COLOR
  - LIGHT PIPES: SC-28876 RTP 0300 2405 LT DIFF.
  - REAR HOUSING: PC+ABS, CYCLOLOY LG9000, PG05 BLACK
  - RUBBER COVER: EMPILON HA65S4
  - PRINTING CIRCUIT BOARD: FR4, THICKNESS 1.6 mm
  - INPUT POWER CONN.: 2USB PORTS TYPE A
- COLOR FOR ILLUMINATED USB HALO IS WHITE**
  - CANDLES PER ILLUMINATED USB HALO: ORDINARY SWITCH 2cd/m2
- INSERION FORCE: MAX 49N**
- REMOVAL FORCE: MIN 68.8N**
- PACKAGING ACCORDING TO: PK-68532-4460**
- PACKAGING FOR MODULE 685324466 ACCORDING TO: RPK\_68532\_001/2**
- PRODUCT LABEL ACCORDING WITH LS-68532-4460**
- ASSEMBLY ACCORDING TO IPC-A-610 CLASS 2**
- USB CHARGER CAPABILITIES: 3A PER PORT CURRENT LIMITED TO 2.9A MAX**
- DATE CODE STAMP APPEARS ON LABEL**



PANEL CUT OFF REQUIRED



SECTION C-C



DETAIL B  
SCALE 5:1  
BATTERY CHARGER  
(LOGO)

QUALITY SYMBOLS	THIS DRAWING CONTAINS INFORMATION THAT IS PROPRIETARY TO MOLEX ELECTRONIC TECHNOLOGIES, LLC AND SHOULD NOT BE USED WITHOUT WRITTEN PERMISSION		DIMENSION UNITS		SCALE	
▽ = 0 ▽ = 2 ▽ = 0 ▽ = 0 ▽ = 0 ▽ = 0 ▽ = 0 ▽ = 0 ▽ = 0	EC NO: 117181 DRWN: FFIERROS CHKD: JEESCOBEDO APPR: DMUELLER	2016/12/06 2017/05/19 2017/05/22	GENERAL TOLERANCES (UNLESS SPECIFIED) ANGULAR TOL ± 0.5 ° 4 PLACES ± 3 PLACES ± 0.05 2 PLACES ± 0.13 1 PLACE ± 0.25 0 PLACES ±	MM 1.5:1	DRWN BY: FFIERROS DATE: 2016/12/06 CHKD BY: JEESCOBEDO DATE: 2017/05/19 APPR BY: DMUELLER DATE: 2017/05/22	
			DRAFT WHERE APPLICABLE MUST REMAIN WITHIN DIMENSIONS	C	THIRD ANGLE PROJECTION	SERIES: 68532 MATERIAL NUMBER: 685324462 CUSTOMER:
						DOCUMENT NUMBER: 685324462 DOC TYPE: PSD DOC PART: 000 SHEET NUMBER: 1 OF 1