

1

2

3

4

5

6

7

A

A

B

B

C

C

D

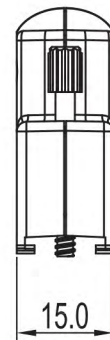
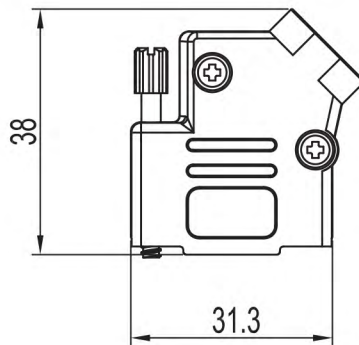
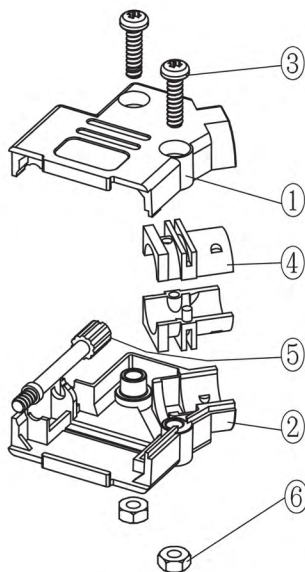
D

E

E

F

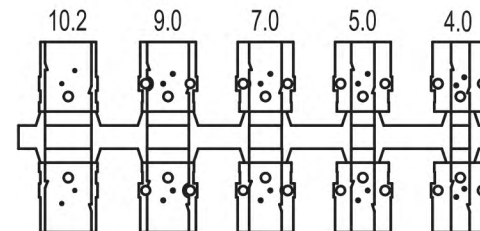
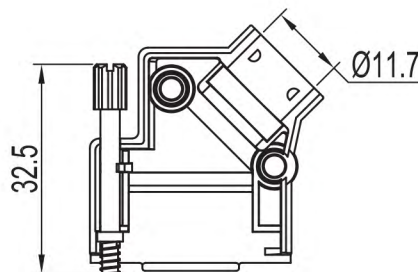
F



TECHNICAL SPECIFICATIONS

Material: ABS Plastic, UL94-HB
 Plating: Metalized (Nickel over Copper)
 Operating Temperature: -55°C to +110°C
 Thumbscrews: UNC 4-40

No. of contacts: 09-15-25-37



Grommet Set

| Item | QTY | Part description |
|------|-----|-----------------------------|
| 1 | 1 | Upper Cover |
| 2 | 1 | Lower Cover |
| 3 | 2 | M3x11 Screw |
| 4 | 1 | Grommet Set |
| 5 | 1 | Thumbscrew UNC4-40 x 32.5mm |
| 6 | 2 | M3 Nut |

RoHS compliant

Unit: mm

| Scale | Free | | | | Date | Name | Customer-No. | |
|-----------|-------|-----|--------------|------------|----------|------------|--------------|-----------|
| TOLERANCE | | | | | Drawn | 17.08.2017 | S.Bölling | |
| 0~6 | ±0.10 | | | | Approved | 17.08.2017 | S.Bölling | |
| 6~30 | ±0.20 | | | | | | | |
| 30~120 | ±0.30 | | | | | | | |
| 120~400 | ±0.50 | | | | | | | |
| DIM | Tol | | | | | | | |
| Angle | ±1° | © | Drawn | 17.08.2017 | | | | S.Bölling |
| Angle | Tol | Id. | Modification | Date | | | | Name |

Customer-No.
 ASSMANN WSW-No.
ACOV-SUB-09MB29

Drawing-No.
ASS_5270_CO rev00
 Replace
 Sheet 1/4

1

2

3

4

5

6

7

H

H

1

2

3

4

5

6

7

A

A

B

B

C

C

D

D

E

E

F

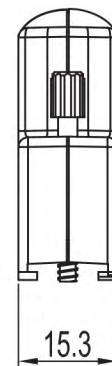
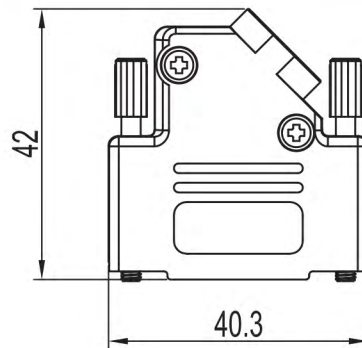
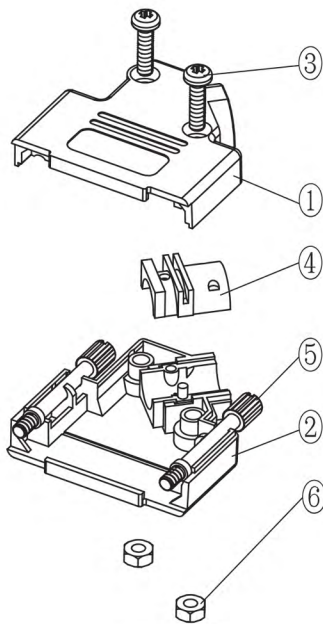
F

G

G

H

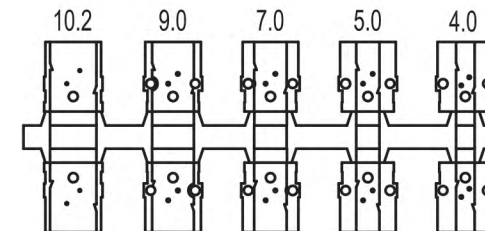
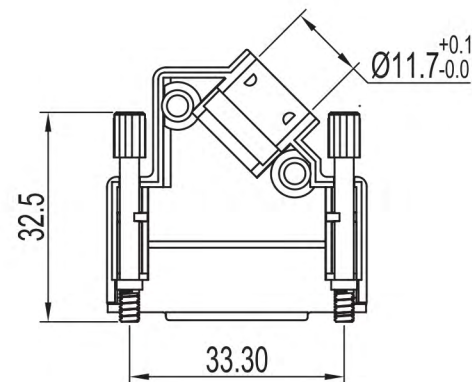
H



TECHNICAL SPECIFICATIONS

Material: ABS Plastic, UL94-HB
 Plating: Metalized (Nickel over Copper)
 Operating Temperature: -55°C to +110°C
 Thumbscrews: UNC 4-40

No. of contacts: 09-15-25-37



Grommet Set

| Item | QTY | Part description |
|------|-----|------------------------------|
| 1 | 1 | Upper Cover |
| 2 | 1 | Lower Cover |
| 3 | 2 | M3x11 Screw |
| 4 | 1 | Grommet Set |
| 5 | 2 | Thumbscrews UNC4-40 x 32.5mm |
| 6 | 2 | M3 Nut |

RoHS compliant
 Unit: mm

| Scale | Free | | | | Date | Name | Customer-No. | |
|-----------|-------|-----|--------------|------------|----------|------------|--------------|-----------|
| TOLERANCE | | | | | Drawn | 17.08.2017 | S.Bölling | |
| 0~6 | ±0.10 | | | | Approved | 17.08.2017 | S.Bölling | |
| 6~30 | ±0.20 | | | | | | | |
| 30~120 | ±0.30 | | | | | | | |
| 120~400 | ±0.50 | | | | | | | |
| DIM | Tol | | | | | | | |
| Angle | ±1° | © | Drawn | 17.08.2017 | | | | S.Bölling |
| Angle | Tol | Id. | Modification | Date | | | | Name |

Customer-No.
 ASSMANN WSW-No.
ACOV-SUB-15MB29

Drawing-No.
ASS_5270_CO rev00
 Replace
 Sheet 2/4

1

2

3

4

5

6

7

SV4382

1

2

3

4

5

6

7

A

A

B

B

C

C

D

D

E

E

F

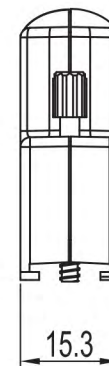
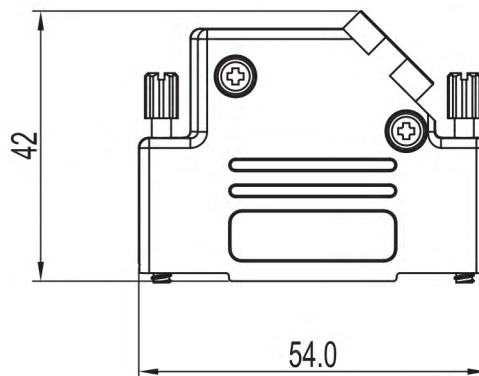
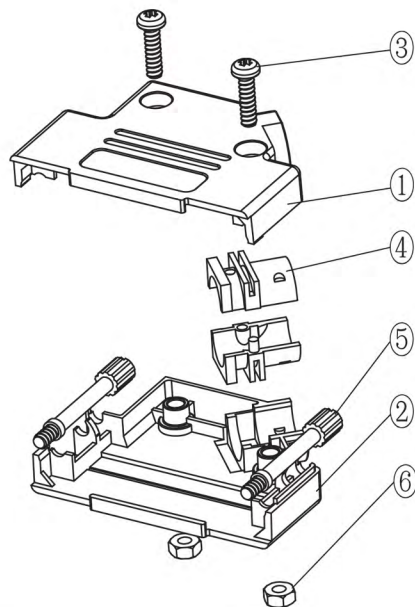
F

G

G

H

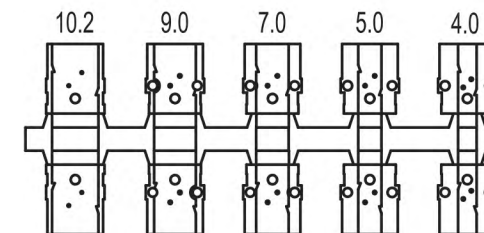
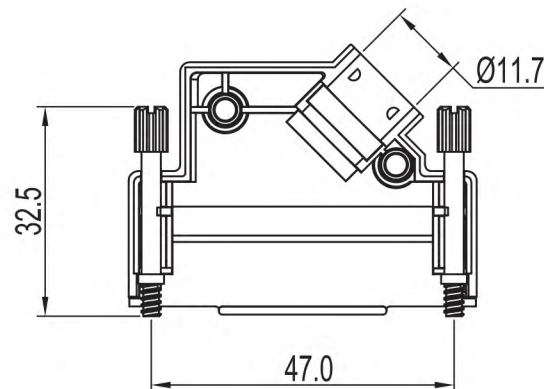
H



TECHNICAL SPECIFICATIONS

Material: ABS Plastic, UL94-HB
 Plating: Metalized (Nickel over Copper)
 Operating Temperature: -55°C to +110°C
 Thumbscrews: UNC 4-40

No. of contacts: 09-15-25-37



Grommet Set

| Item | QTY | Part description |
|------|-----|------------------------------|
| 1 | 1 | Upper Cover |
| 2 | 1 | Lower Cover |
| 3 | 2 | M3x11 Screw |
| 4 | 1 | Grommet Set |
| 5 | 2 | Thumbscrews UNC4-40 x 32.5mm |
| 6 | 2 | M3 Nut |

RoHS compliant
 Unit: mm

| Scale | Free | | | | Date | Name | Customer-No. | |
|-----------|-------|-----|--------------|------------|----------|------------|--------------|-----------|
| TOLERANCE | | | | | Drawn | 17.08.2017 | S.Bölling | |
| 0~6 | ±0.10 | | | | Approved | 17.08.2017 | S.Bölling | |
| 6~30 | ±0.20 | | | | | | | |
| 30~120 | ±0.30 | | | | | | | |
| 120~400 | ±0.50 | | | | | | | |
| DIM | Tol | | | | | | | |
| Angle | ±1° | Ⓢ | Drawn | 17.08.2017 | | | | S.Bölling |
| Angle | Tol | Id. | Modification | Date | | | | Name |

Customer-No.
 ASSMANN WSW-No.
ACOV-SUB-25MB29

Drawing-No.
ASS_5270_CO rev00
 Replace
 Sheet 3/4

1

2

3

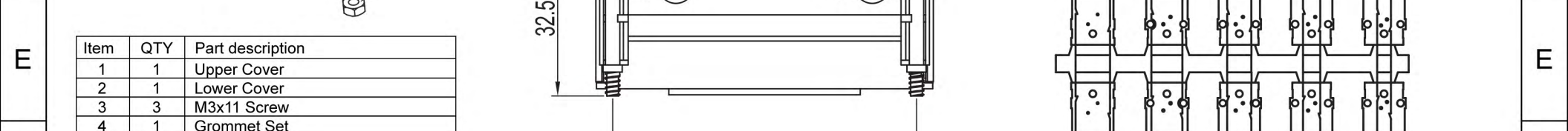
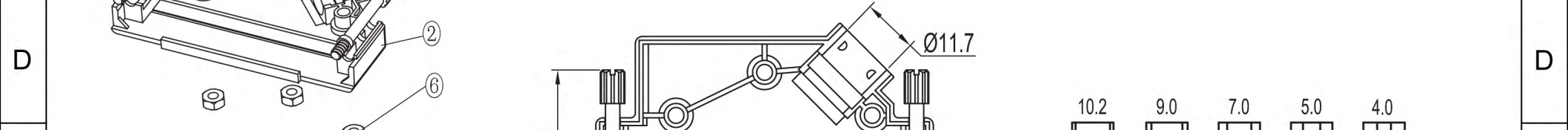
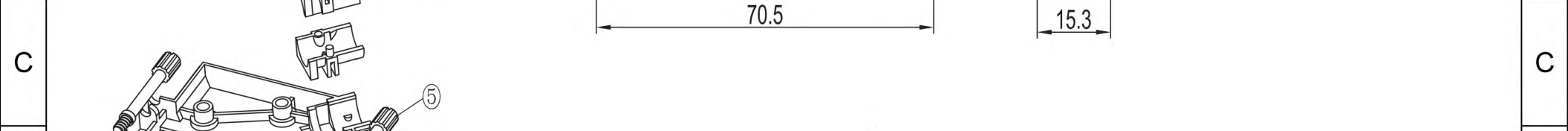
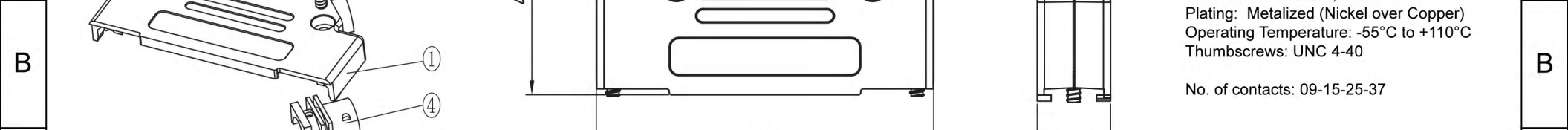
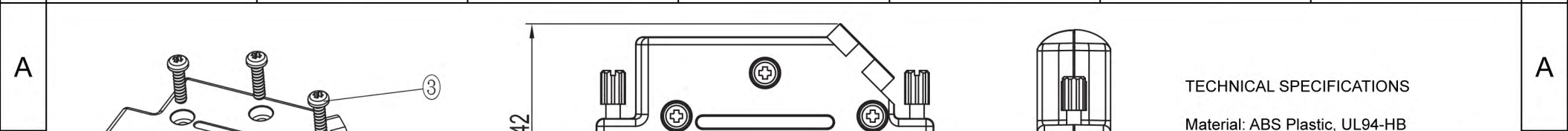
4

5

6

7

SV4382



| Item | QTY | Part description |
|------|-----|------------------------------|
| 1 | 1 | Upper Cover |
| 2 | 1 | Lower Cover |
| 3 | 3 | M3x11 Screw |
| 4 | 1 | Grommet Set |
| 5 | 2 | Thumbscrews UNC4-40 x 32.5mm |
| 6 | 3 | M3 Nut |

Grommet Set

RoHS compliant
Unit: mm

| Scale | Free | | | | Date | Name | Customer-No. |
|-----------|-------|-----|--------------|------------|-----------|---|--------------|
| TOLERANCE | | | | | Drawn | 17.08.2017 | S.Bölling |
| 0~6 | ±0.10 | | | | Approved | 17.08.2017 | S.Bölling |
| 6~30 | ±0.20 | | | | | | |
| 30~120 | ±0.30 | | | | | | |
| 120~400 | ±0.50 | | | | | | |
| DIM | Tol | | | | | | |
| Angle | ±1° | Ⓢ | Drawn | 17.08.2017 | S.Bölling | ASSMANN WSW components ASS_5270_CO rev00 Sheet 4/4 | |
| Angle | Tol | Id. | Modification | Date | Name | | |