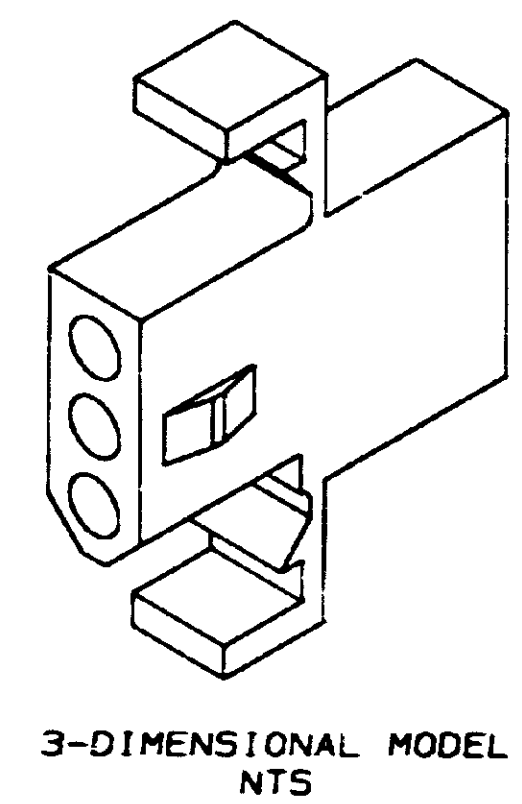


TYPICAL RECEPTACLE CAVITY SECTION
(DIMENSIONS REFERENCE ONLY)



2.13	.084	6.73	.265	-	-
1.57	.062	5.08	.200	25.53	1.005
1.52	.060	5.05	.199	19.69	.775
0.38	.015	3.68	.145	16.51	.650
0.25	.010	3.18	.125	12.50	.492
0.13	.005	2.67	.105	12.45	.490
MM	IN	MM	IN	MM	IN

CONVERSION TABLE

METRIC

THIS DRAWING IS A CONTROLLED DOCUMENT FOR AMP INCORPORATED. IT IS SUBJECT TO CHANGE AND THE CONTROLLING ENGINEERING ORGANIZATION SHOULD BE CONTACTED FOR THE LATEST REVISION.

DO NOT SCALE PRINT. UNLESS SPECIFIED DIMENSIONS IN MM (INCHES) TOLERANCES ON: 2 PLC DEC ± 0.13 3 PLC DEC ± 0.10 ANGLES ± 1°		DR 11-4-93 K. WHITAKER		770326-1 PART NO	
MATERIAL NYLON, UL 94V-2 NATURAL		CHK 11-4-93 R. SWING		AMP AMP Incorporated Harrisburg, PA 17105-3508	
FINISH -		APPD 11-4-93 C. CASH		NAME RECEPTACLE, PANEL MOUNT, 3 CIRCUIT, .062 PIN AND SOCKET	
APPLICATION SPEC -		APPD 11-4-93 C. CASH		SIZE D	
WEIGHT -		PRODUCT SPEC -		CAGE CODE 00779	
				DRAWING NO C-770326	
				SCALE 5:1	
				SHEET 1 OF 1	

A/C BUSHING GROUP 3533 177 34 62 AMP WHITAKER