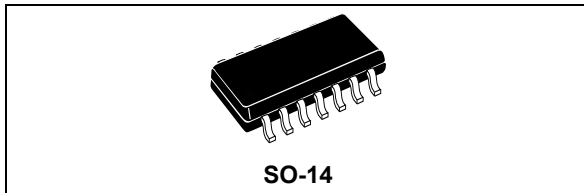


High voltage high and low-side 2 A gate driver

Datasheet - production data



Features

- Transient withstand voltage 600 V
- dV/dt immunity ± 50 V/ns in full temperature range
- Driver current capability:
 - 2 A source typ. at 25 °C
 - 2.5 A sink typ. at 25 °C
- Short propagation delay: 85 ns
- Switching times 25 ns rise/fall with 1 nF load
- Integrated bootstrap diode
- Single input and shutdown pin
- Adjustable deadtime
- 3.3 V, 5 V TTL/CMOS inputs with hysteresis
- UVLO on both high-side and low-side sections
- Compact and simplified layout
- Bill of material reduction
- Flexible, easy and fast design

Applications

- Motor driver for home appliances, factory automation, industrial drives and fans
- HID ballasts
- Induction heating
- Welding
- Industrial inverters
- UPS
- Power supply units
- DC-DC converters

Description

The L6494 is a high-voltage device manufactured with the BCD6 “offline” technology. It is a single chip half-bridge gate driver for N-channel power MOSFETs or IGBTs.

The high-side (floating) section is designed to stand a DC voltage rail up to 500 V, with 600 V transient withstand voltage. The logic inputs are CMOS/TTL compatible down to 3.3 V for easy interfacing control units such as microcontrollers or DSP.

The device is a single input gate driver with programmable deadtime, and also features an active-low shutdown pin.

Both device outputs can sink 2.5 A and source 2 A, making the L6494 particularly suited for medium and high capacity power MOSFETs\IGBTs.

The independent UVLO protection circuits present on both the lower and upper driving sections prevent the power switches from being operated in low efficiency or dangerous conditions.

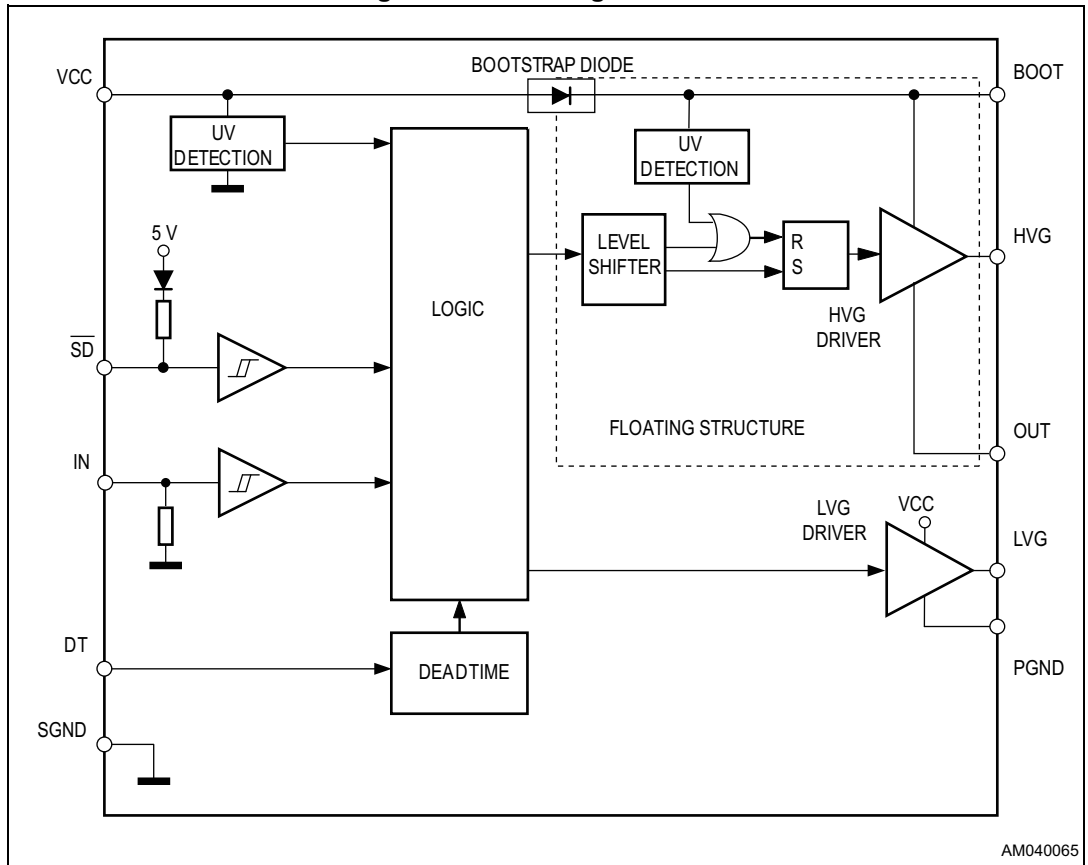
The integrated bootstrap diode as well as all of the integrated features of this driver make the application PCB design simpler and more compact, and help reducing the overall bill of material.

Contents

1	Block diagram	3
2	Pin description and connection diagram	4
3	Electrical data	5
3.1	Absolute maximum ratings	5
3.2	Thermal data	5
3.3	Recommended operating conditions	6
4	Electrical characteristics	7
5	Truth table	11
6	Typical application diagram	12
7	Bootstrap driver	13
	C_{BOOT} selection and charging	13
8	Package information	15
8.1	SO-14 package information	15
9	Ordering information	17
10	Revision history	17

1 Block diagram

Figure 1. Block diagram SO-14



2 Pin description and connection diagram

Figure 2. Pin connection SO-14 (top view)

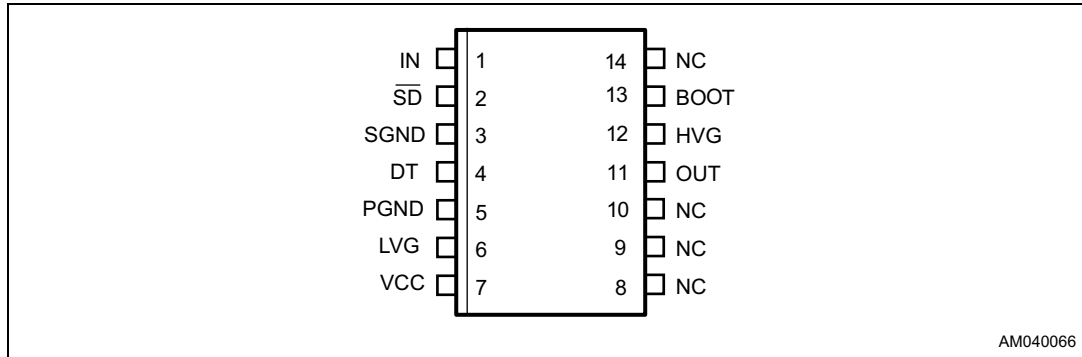


Table 1. Pin description

Pin no.	Pin name	Type	Function
1	IN	I	Output drivers logic input (is in phase with HVG and in opposition of phase with LVG)
2	\overline{SD}	-	Shutdown logic input (active-low)
4	DT	I	Deadtime setting
6	LVG ⁽¹⁾	O	Low-side driver output
7	VCC	P	Low-side section supply voltage
11	OUT	P	High-side (floating) section common voltage
12	HVG ⁽¹⁾	O	High-side driver output
13	BOOT	P	High-side (bootstrapped) section supply voltage
3	SGND	P	Signal ground
5	PGND	P	Power ground
8, 9, 10, 14	NC	-	Not connected

1. The circuit guarantees less than 1 V on the LVG and HVG pins (at $I_{sink} = 10 \text{ mA}$), with $V_{CC} > 3 \text{ V}$. This allows omitting the “bleeder” resistor connected between the gate and the source of the external MOSFET normally used to hold the pin low.

3 Electrical data

3.1 Absolute maximum ratings

Table 2. Absolute maximum ratings⁽¹⁾

Symbol	Parameter	Value		Unit
		Min.	Max.	
V_{CC}	Supply voltage	-0.3	21	V
V_{PGND}	Low-side driver ground	$V_{CC} - 21$	$V_{CC} + 0.3$	V
V_{OUT}	Output voltage	$V_{BOOT} - 21$	$V_{BOOT} + 0.3$	V
V_{BOOT}	Boot DC voltage	-0.3	500	V
	Boot transient withstand voltage ($T_{pulse} < 1$ ms)	-	620	V
V_{hvg}	High-side gate output voltage	$V_{OUT} - 0.3$	$V_{BOOT} + 0.3$	V
V_{lvg}	Low-side gate output voltage	PGND - 0.3	$V_{CC} + 0.3$	V
V_i	Logic input pins voltage	-0.3	15	V
dV_{OUT}/dt	Allowed output slew rate	-	50	V/ns
P_{TOT}	Total power dissipation ($T_A = 25$ °C) SO-14	-	1	W
T_J	Junction temperature	-	150	°C
T_{stg}	Storage temperature	-50	150	°C
ESD	Human body model	2	kV	-

1. Each voltage referred to SGND unless otherwise specified.

3.2 Thermal data

Table 3. Thermal data

Symbol	Parameter	Package	Value	Unit
$R_{th(JA)}$	Thermal resistance junction to ambient	SO-14	120	°C/W

3.3 Recommended operating conditions

Table 4. Recommended operating conditions

Symbol	Pin	Parameter	Test condition	Min.	Max.	Unit
V_{CC}	VCC	Supply voltage	-	10	20	V
$V_{PS}^{(1)}$	SGND - PGND	Low-side driver ground	-	-5	+5	V
$V_{BO}^{(2)}$	BOOT - OUT	Floating supply voltage	-	9.3	20	V
V_{OUT}	OUT	OUT DC voltage	-	- 9 ⁽³⁾	480	V
		OUT transient withstand voltage	$T_{pulse} < 1 \text{ ms}$	-	600	V
f_{SW}	-	Maximum switching frequency	HVG, LVG load $C_L = 1 \text{ nF}$	-	800	kHz
T_J	-	Junction temperature	-	-40	125	°C
T_A	-	Ambient temperature ⁽⁴⁾	-	-40	125	°C

1. $V_{PS} = V_{PGND} - SGND$.
2. $V_{BO} = V_{BOOT} - V_{OUT}$.
3. LVG off. $V_{CC} = 12.5 \text{ V}$. Logic is operational if $V_{BOOT} > 5 \text{ V}$.
4. Maximum ambient temperature is actually limited by T_J .

4 Electrical characteristics

Table 5. Electrical characteristics ($V_{CC} = 15\text{ V}$; $T_J = +25\text{ °C}$; $PGND = SGND$)

Symbol	Pin	Parameter	Test condition	Min.	Typ.	Max.	Unit
Low-side section supply							
V_{CC_hys}	VCC vs. SGND	V_{CC} UV hysteresis	-	0.5	0.6	0.72	V
V_{CC_thON}		V_{CC} UV turn ON threshold	-	8.7	9.3	9.8	V
V_{CC_thOFF}		V_{CC} UV turn OFF threshold	-	8.2	8.7	9.2	V
I_{QCCU}		Undervoltage quiescent supply current	$V_{CC} = \overline{SD} = 7\text{ V}$ $IN = SGND$	-	135	200	μA
I_{QCC}		Quiescent current	$V_{CC} = 15\text{ V}$ $SD = 5\text{ V}$; $IN = SGND$	-	490	700	μA
High-side floating section supply⁽¹⁾							
V_{BO_hys}	BOOT vs. OUT	V_{BO} UV hysteresis	-	0.48	0.6	0.7	V
V_{BO_thON}		V_{BO} UV turn ON threshold	-	8.0	8.6	9.1	V
V_{BO_thOFF}		V_{BO} UV turn OFF threshold	-	7.5	8.0	8.5	V
I_{QBOU}		Undervoltage V_{BO} quiescent current	$V_{BO} = \overline{SD} = 7\text{ V}$ $IN = SGND$	-	20	30	μA
I_{QBO}		V_{BO} quiescent current	$V_{BO} = 15\text{ V}$ $SD = IN = 5\text{ V}$	-	90	120	μA
I_{LK}		High-voltage leakage current	$V_{hvg} = V_{out} = V_{boot} = 600\text{ V}$	-	-	8	μA
$R_{DS(on)}$		Bootstrap diode on-resistance ⁽²⁾	-	-	175	-	Ω
Output driving buffers							
I_{SO}	LVG, HVG	High/low-side source short-circuit current	LVG/HVG ON $T_J = 25\text{ °C}$	1.6	2	-	A
			Full temperature range ⁽³⁾	1.25	-	-	A
I_{SI}		High/low-side sink short-circuit current	LVG/HVG ON $T_J = 25\text{ °C}$	2	2.5	-	A
			Full temperature range ⁽³⁾	1.55	-	-	A
Logic inputs							
V_{il}	IN, \overline{SD} vs. SGND	Low level logic threshold voltage	-	0.95	-	1.45	V
V_{ih}		High level logic threshold voltage	-	2	-	2.5	V
I_{INh}	IN vs. SGND	IN logic "1" input bias current	$IN = 15\text{ V}$	120	200	260	μA
I_{INl}		IN logic "0" input bias current	$IN = 0\text{ V}$	-	-	1	μA
I_{SDh}	\overline{SD} vs. SGND	\overline{SD} logic "1" input bias current	$\overline{SD} = 15\text{ V}$	-	-	1	μA
I_{SDl}		\overline{SD} logic "0" input bias current	$\overline{SD} = 0\text{ V}$	14	17	23	μA

Table 5. Electrical characteristics (V_{CC} = 15 V; T_J = +25 °C; PGND = SGND) (continued)

Symbol	Pin	Parameter	Test condition	Min.	Typ.	Max.	Unit
R _{PU_SD}	\overline{SD} vs. SGND	\overline{SD} pull-up resistor	-	185	250	310	kΩ
R _{PD_IN}	IN vs. SGND	IN pull-down resistor	-	58	75	125	kΩ
Dynamic characteristics (see Figure 3 and Figure 4)							
t _{on}	\overline{SD} vs. LVG/HVG	High/low-side driver turn-on propagation delay	V _{OUT} = 0 V; V _{BOOT} = V _{CC} ; C _L = 1 nF; V _i = 0 to 3.3 V	-	85	120	ns
t _{off}	\overline{SD} vs. LVG/HVG; IN vs. LVG/HVG	High/low-side driver turn-off propagation delay		-	85	120	ns
MT	-	Delay matching, HS and LS turn-on/off ⁽⁴⁾	-	-	-	30	ns
t _r	LVG, HVG	Rise time	C _L = 1 nF	-	25	-	ns
t _f		Fall time	C _L = 1 nF	-	25	-	ns
DT	-	Deadtime setting range ⁽⁵⁾	R _{DT} = 0 Ω, C _L = 1 nF,	0.26	0.40	0.54	μs
			R _{DT} = 100 kΩ, C _L = 1 nF, C _{DT} = 100 nF	2.10	2.70	3.30	μs
			R _{DT} = 200 kΩ, C _L = 1 nF, C _{DT} = 100 nF	4.00	5.00	6.00	μs
MDT	-	Matching deadtime ⁽⁵⁾	R _{DT} = 0 Ω, C _L = 1 nF,	-	-	85	ns
			R _{DT} = 100 kΩ, C _L = 1 nF, C _{DT} = 100 nF	-	-	350	ns
			R _{DT} = 200 kΩ, C _L = 1 nF, C _{DT} = 100 nF	-	-	700	ns

1. V_{BO} = V_{BOOT} - V_{OUT}.

2. R_{DSON} is tested in the following way:

$$R_{DSON} = [(V_{CC} - V_{BOOT1}) - (V_{CC} - V_{BOOT2})] / [I_1 (V_{CC}, V_{BOOT1}) - I_2 (V_{CC}, V_{BOOT2})]$$

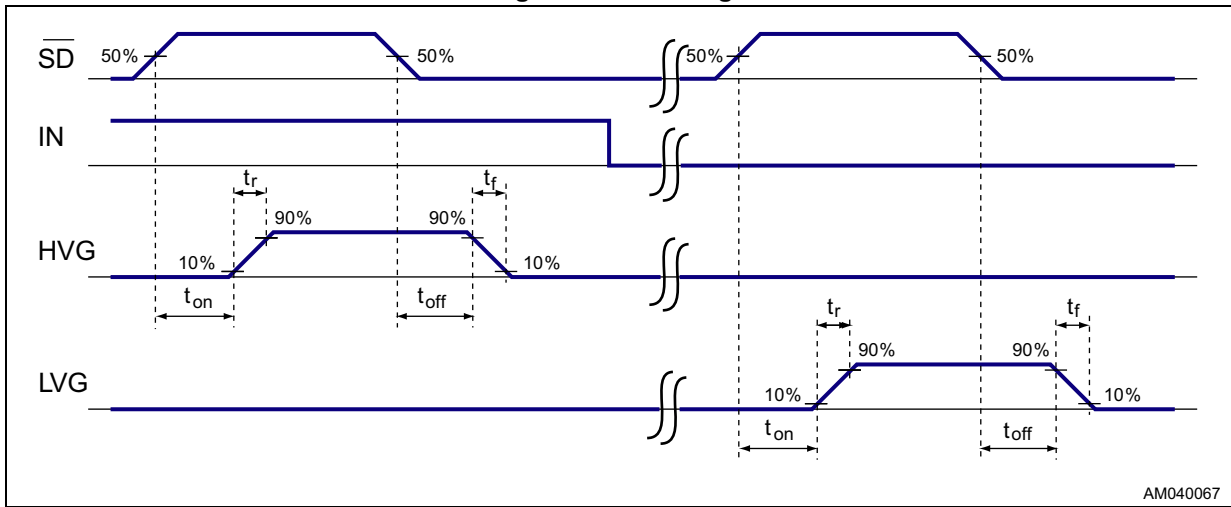
where I₁ is the BOOT pin current when V_{BOOT} = V_{BOOT1}, I₂ when V_{BOOT} = V_{BOOT2}.

3. Characterized, not tested in production.

4. MT = max. (|t_{on} (LVG) - t_{off} (LVG)|, |t_{on} (HVG) - t_{off} (HVG)|, |t_{off} (LVG) - t_{on} (HVG)|, |t_{off} (HVG) - t_{on} (LVG)|).

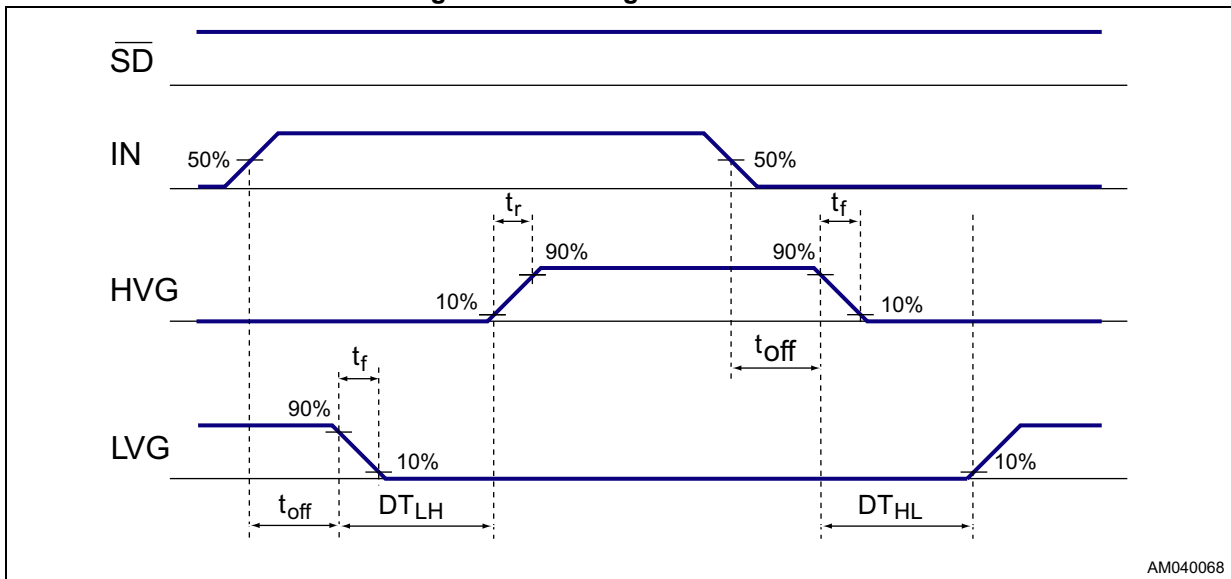
5. MDT = |DT_{LH} - DT_{HL}| see [Figure 4](#).

Figure 3. \overline{SD} timings



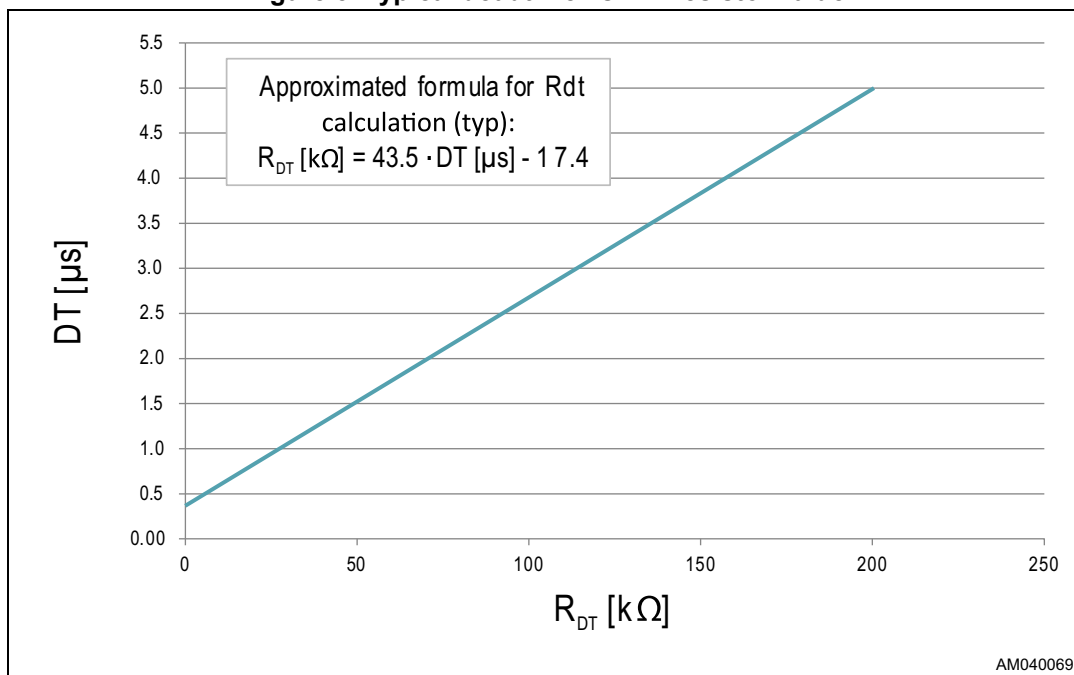
AM040067

Figure 4. IN timings and deadtime



AM040068

Figure 5. Typical deadtime vs. DT resistor value



AM040069

5 Truth table

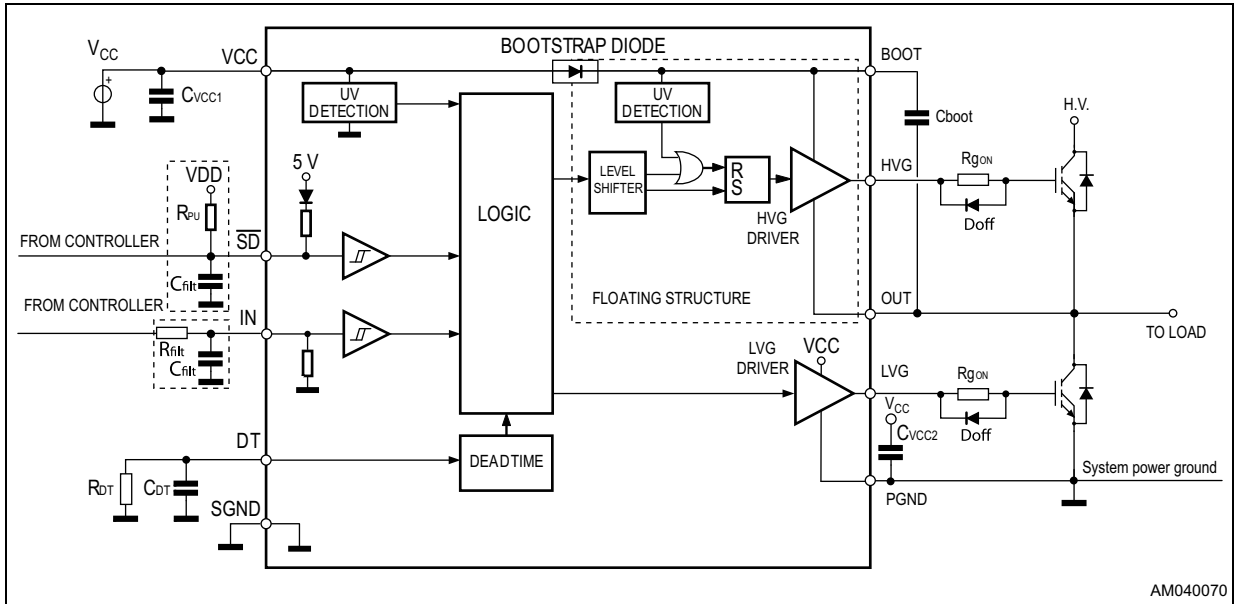
Table 6. Truth table

Input		Output	
$\overline{\text{SD}}$	IN	LVG	HVG
L	X ⁽¹⁾	L	L
H	L	H	L
H	H	L	H

1. X = don't care.

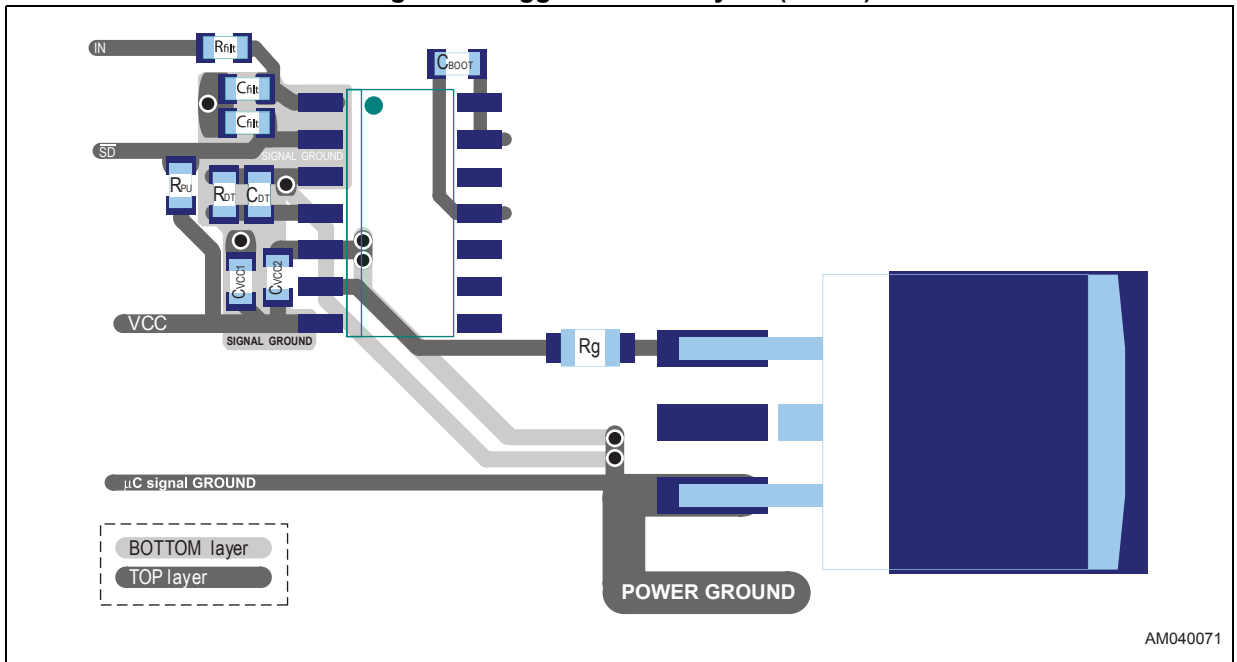
6 Typical application diagram

Figure 6. Typical application diagram



AM040070

Figure 7. Suggested PCB layout (SO-14)



AM040071

7 Bootstrap driver

A bootstrap circuitry is needed to supply the high voltage section. This function is usually accomplished by a high voltage fast recovery diode ([Figure 8](#)). In the L6494 an integrated structure replaces the external diode.

C_{BOOT} selection and charging

To choose the proper C_{BOOT} value the external MOS can be seen as an equivalent capacitor. This capacitor C_{EXT} is related to the MOS total gate charge:

Equation 1

$$C_{EXT} = \frac{Q_{gate}}{V_{gate}}$$

The ratio between the capacitors C_{EXT} and C_{BOOT} is proportional to the cyclical voltage loss. It has to be:

Equation 2

$$C_{BOOT} \gg C_{EXT}$$

if Q_{gate} is 30 nC and V_{gate} is 10 V, C_{EXT} is 3 nF. With $C_{BOOT} = 100$ nF the drop is 300 mV.

If HVG has to be supplied for a long time, the C_{BOOT} selection has also to take into account the leakage and quiescent losses.

HVG steady-state consumption is lower than 120 μ A, so if HVG T_{ON} is 5 ms, C_{BOOT} has to supply 0.6 μ C. This charge on a 1 μ F capacitor means a voltage drop of 0.6 V.

The internal bootstrap driver gives a great advantage: the external fast recovery diode can be avoided (it usually has great leakage current).

This structure can work only if V_{OUT} is close to SGND (or lower) and in the meanwhile the LVG is on. The charging time (T_{charge}) of the C_{BOOT} is the time in which both conditions are fulfilled and it has to be long enough to charge the capacitor.

The bootstrap driver introduces a voltage drop due to the DMOS $R_{DS(on)}$ (typical value: 175 Ω). At low frequency this drop can be neglected. Anyway, the rise of frequency has to take into account.

The following equation is useful to compute the drop on the bootstrap DMOS:

Equation 3

$$V_{drop} = I_{charge} R_{DS(on)} \rightarrow V_{drop} = \frac{Q_{gate}}{T_{charge}} R_{DS(on)}$$

where Q_{gate} is the gate charge of the external power MOS, $R_{DS(on)}$ is the on resistance of the bootstrap DMOS and T_{charge} is the charging time of the bootstrap capacitor.

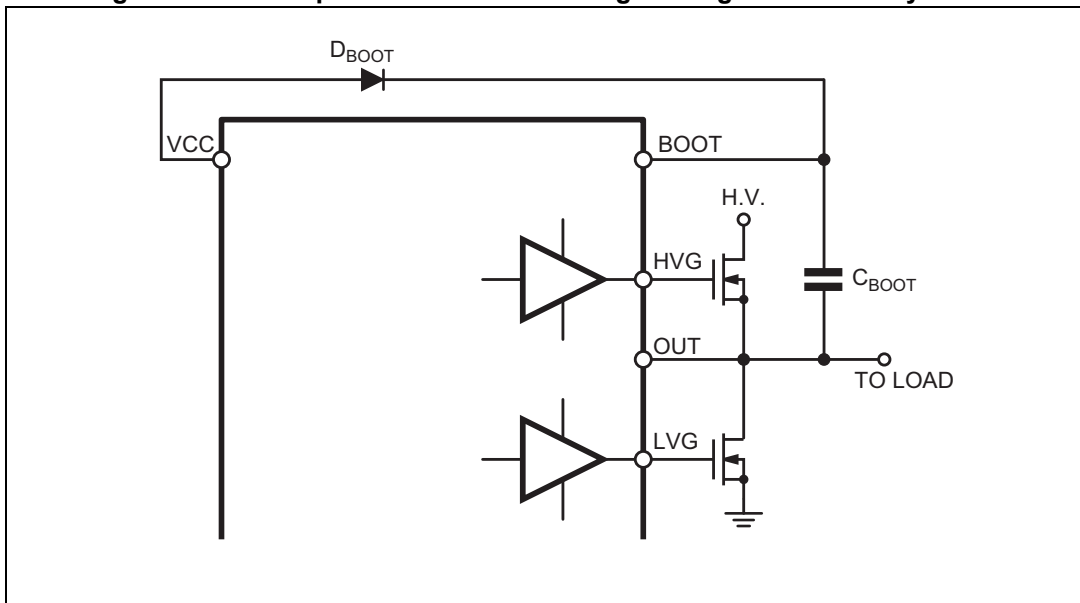
For example: using a power MOS with a total gate charge of 30 nC the drop on the bootstrap DMOS is about 1 V, if the T_{charge} is 5 μs . In fact:

Equation 4

$$V_{\text{drop}} = \frac{30\text{nC}}{5\mu\text{s}} \cdot 175\Omega \sim 1\text{V}$$

V_{drop} has to be taken into account when the voltage drop on C_{BOOT} is calculated: if this drop is too high, or the circuit topology doesn't allow a sufficient charging time, an external diode can be used.

Figure 8. Bootstrap driver with external high voltage fast recovery diode



8 Package information

In order to meet environmental requirements, ST offers these devices in different grades of ECOPACK® packages, depending on their level of environmental compliance. ECOPACK® specifications, grade definitions and product status are available at: www.st.com. ECOPACK® is an ST trademark.

8.1 SO-14 package information

Figure 9. SO-14 package outline

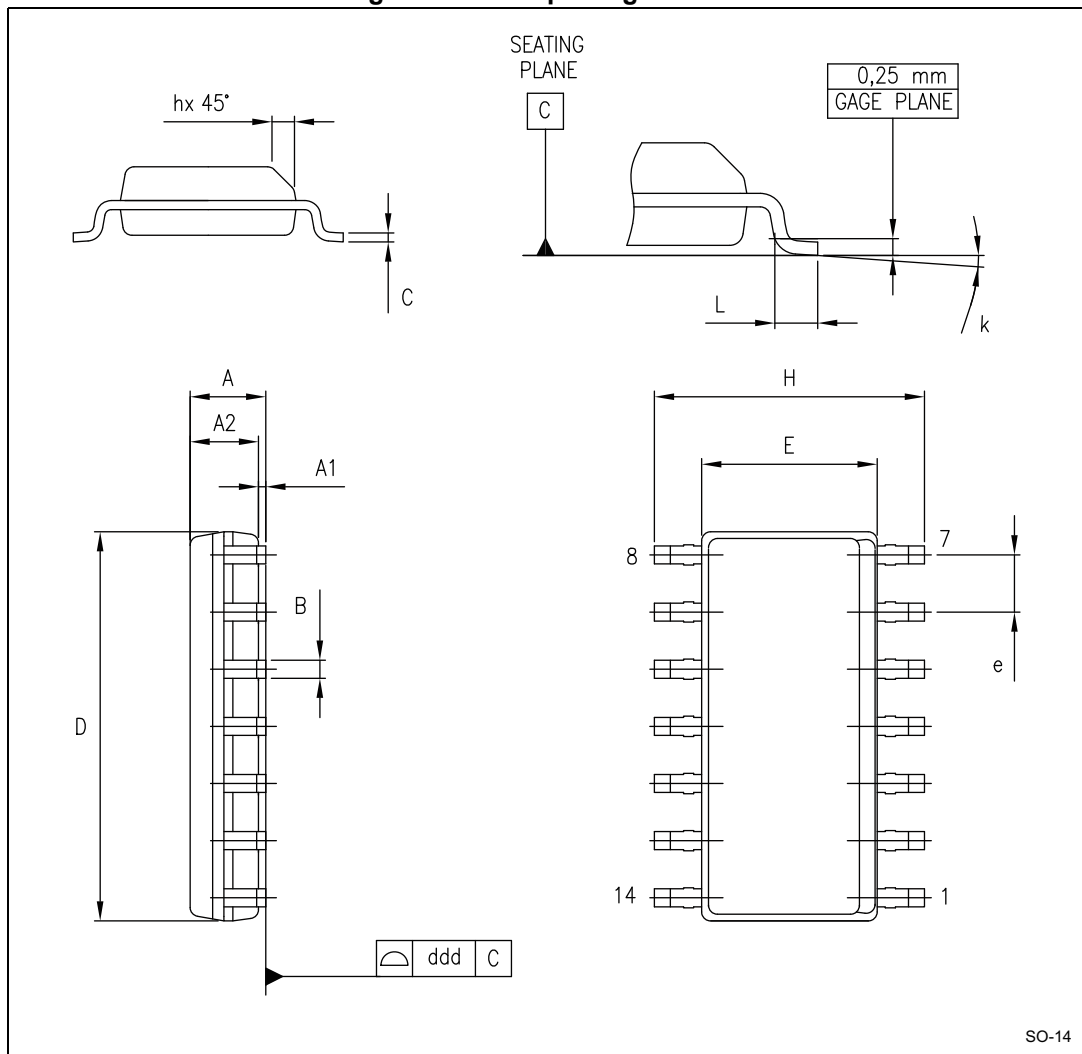
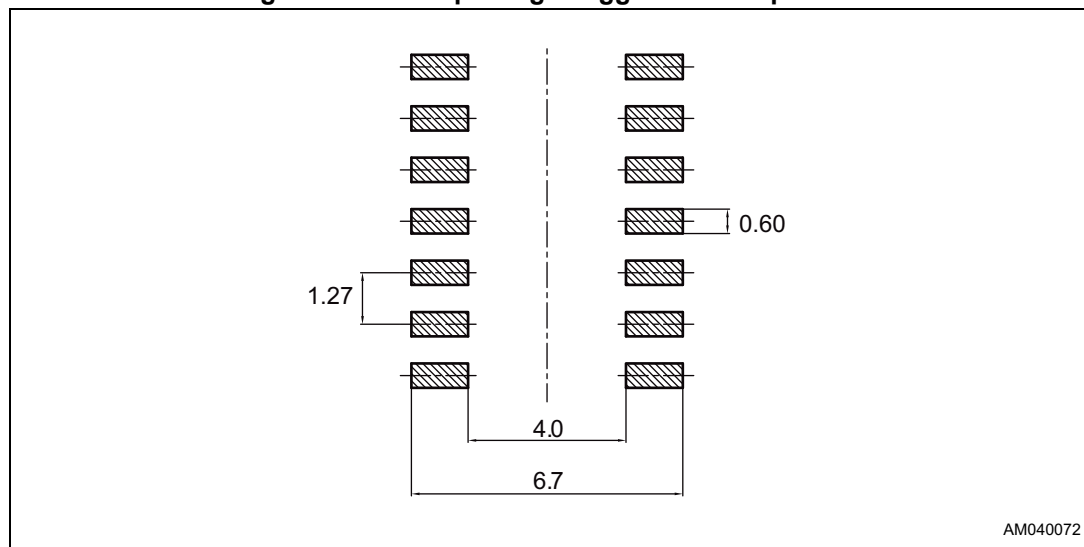


Table 7. SO-14 package mechanical data

Symbol	Dimensions (mm)		
	Min.	Typ.	Max.
A	1.35	-	1.75
A1	0.10	-	0.25
A2	1.10	-	1.65
B	0.33	-	0.51
C	0.19	-	0.25
D	8.55	-	8.75
E	3.80	-	4.00
e	-	1.27	-
H	5.80	-	6.20
h	0	-	-
25	-	0.50	-
L	0.40	-	1.27
k	0	-	8
ddd	-	-	0.10

Figure 10. SO-14 package suggested land pattern



AM040072

9 Ordering information

Table 8. Device summary

Order code	Package	Packaging
L6494LD	SO-14	Tube
L6494LDTR	SO-14	Tape and reel

10 Revision history

Table 9. Document revision history

Date	Revision	Changes
08-Feb-2017	1	Initial release.
14-Nov-2017	2	Updated Section : Description on page 1 , Table 4 on page 6 and Table 5 on page 7 .

IMPORTANT NOTICE – PLEASE READ CAREFULLY

STMicroelectronics NV and its subsidiaries (“ST”) reserve the right to make changes, corrections, enhancements, modifications, and improvements to ST products and/or to this document at any time without notice. Purchasers should obtain the latest relevant information on ST products before placing orders. ST products are sold pursuant to ST’s terms and conditions of sale in place at the time of order acknowledgement.

Purchasers are solely responsible for the choice, selection, and use of ST products and ST assumes no liability for application assistance or the design of Purchasers’ products.

No license, express or implied, to any intellectual property right is granted by ST herein.

Resale of ST products with provisions different from the information set forth herein shall void any warranty granted by ST for such product.

ST and the ST logo are trademarks of ST. All other product or service names are the property of their respective owners.

Information in this document supersedes and replaces information previously supplied in any prior versions of this document.

© 2017 STMicroelectronics – All rights reserved