

## HWB18 SEALED POWER DISTRIBUTION MODULE

Compact Hard-Wired PDM for 280 Style Components



### Description

The HWB18 Compact Hard-Wired Box features 18 cavities that accept 2.8mm fuse and relay components and is the perfect fit for accessory circuits and overflow circuits from your main Power Distribution module. The HWB18 can hold plug-in components including MINI fuses, MINI format circuit breakers, 4-pin single throw relays, and 5-pin double throw relays. The HWB18 features durable construction, an IP67/IP69K rating, and a compact size. The user can customize their own circuitry utilizing direct wire-to-component connections which are crimped to the wire harness with grommets to seal the bottom of the module.

### Features and Benefits

- Cover latches keep the cover sealed and securely in place.
- Accepts any mini (280 style) circuit protection component.
- Compact size allows the unit to be installed in vehicles with limited space.
- Ideal for accessory circuits, overflow circuits from main or as a main module on smaller vehicles.
- IP67/IP69K sealed units can be installed virtually anywhere on the vehicle and stands up to road splash and salt spray.
- TPAs (terminal position assurance locks) give secondary locking protection of the wire leads, which help keeps leads securely in place.
- Wires plug into the back of the unit using industry-standard Delphi Metri-Pack Series 280 tanged terminals.
- Available with or without steel mounting bracket. Module snaps into bracket, and is held at 30° angle or 90° angle (bracket dependent) to allow easy viewing and servicing
- Tethers available to prevent loss of cover during service.
- Optional grid on inside cover available; functions as relay retention insert
- HWB18, HWB12 & HWB6 share the same mounting bracket so electrical system modification can be performed without bracket or sheet metal alterations.

### Specifications Overview

<b>Max Fuse Rating:</b>	30A per circuit
<b>Max Continuous Current:</b>	200A
<b>Number of Cavities</b>	18
<b>Operating Temp:</b>	-40 °C to +105 °C
<b>Ingress Protection:</b>	IP67/IP69K

### Applications

- Accessory circuits
- Overflow circuits
- Main unit on small vehicles

### Web Resources

Download 2D print and technical resources at:  
[littelfuse.com/hwb18](http://littelfuse.com/hwb18)

### Ordering Information

PART NUMBER	COVER		TPA	GASKET	MOUNTING BRACKET
	BLACK	CLEAR			
PDM31001ZXM	•		•	•	30°
PDM31002ZXM	•		•	•	
PDM31003ZXM	•			•	

Complete assembly includes: cover, base, gasket  
 TPA: Terminal Position Assurance secondary locks for wire terminals

### Accessories and Service Parts

PART NUMBER	DESCRIPTION
868-066	30° angle mounting bracket
883-084	TPA
868-063	Base
901-106	Cover seal
873-032	Cover

## HWB18 SEALED POWER DISTRIBUTION MODULE

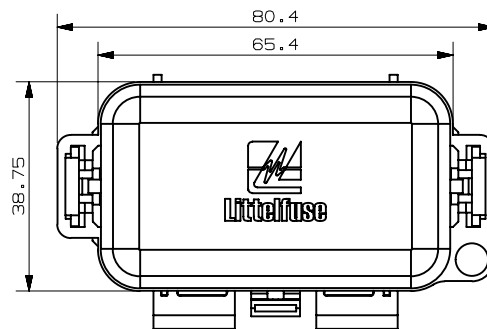
### Specifications

<b>Max Fuse Rating</b>	30A per circuit
<b>Max Continuous Current</b>	100A at 23 °C, 70A at 85 °C
<b>Number of Cavities</b>	18
<b>Recommended Mounting</b>	M6 bolt and lock washer
<b>Mounting Bracket Torque</b>	5.5-6.5 Nm
<b>Temperature Range</b>	-40 °C to +105 °C
<b>Ingress Protection Rating</b>	IP67/IP69K
<b>Dimensions</b>	80.4x69.8x45.2 mm
<b>Wire Sizes</b>	0.35-3.00 mm <sup>2</sup>
<b>Mating Terminals &amp; Seals</b>	Delphi Metri-Pack 280 Sealed female (tanged) See chart below for details. Sold separately.
<b>Accessories</b>	Optional: Cover tether, mounting bracket, TPAs

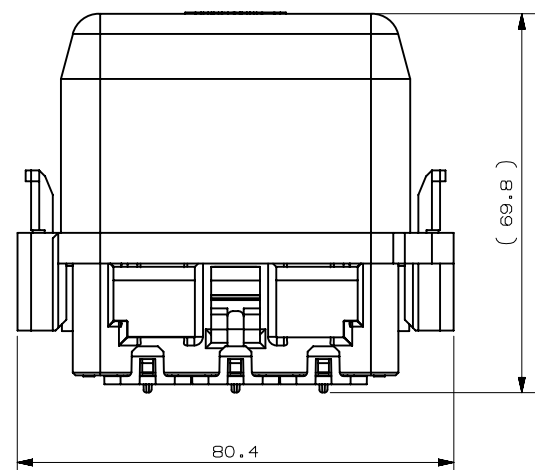
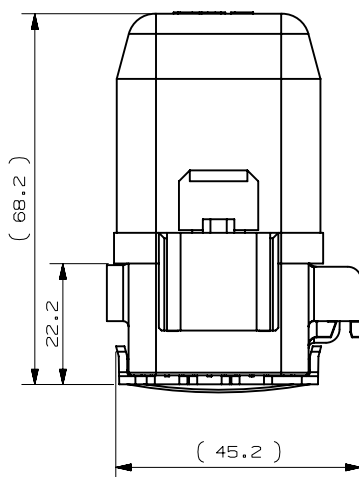
### Mating Terminals and Seals Compatibility

Cable size	Terminal	Cable Diameter	Cable Seal	Cable Plug
0.50-0.35 mm <sup>2</sup>	12084201	1.84-2.51 mm	12089679 / 12041351	12010300
1.00-0.80 mm <sup>2</sup>	12077411	2.03-3.12 mm	12041351 / 12015323	
3.00-2.00 mm <sup>2</sup>	12129493	2.45-3.80 mm	12015323 / 12015359	

Sold separately. Available from Delphi.



### Dimensions in millimeters



Visit [Littelfuse.com](http://Littelfuse.com) for the most up-to-date product information. Littelfuse reserves the right to make product changes, without notice. Material in this document is as accurate as known at the time of publication.