

MATERIALS AND FINISHES

SOLDER TAIL STEEL WIRE
PLATED TIN

BODY ZINC ALLOY
PLATED NICKEL

LOCKWASHER PHOSPHOR BRONZE
PLATED NICKEL

HOUSING PBT
COLOR BLACK

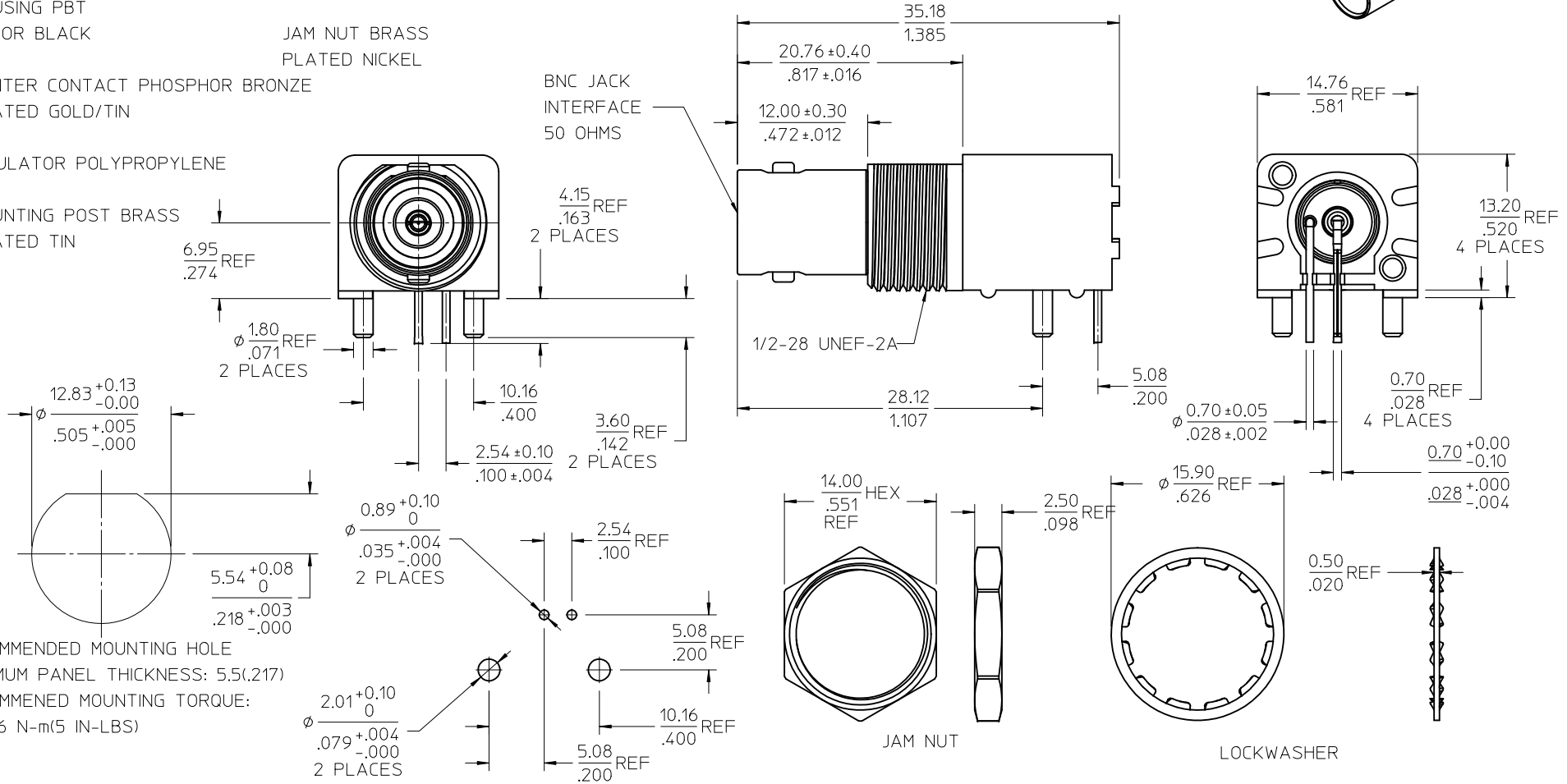
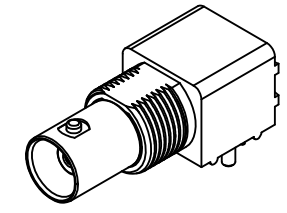
JAM NUT BRASS
PLATED NICKEL

CENTER CONTACT PHOSPHOR BRONZE
PLATED GOLD/TIN

BNC JACK
INTERFACE
50 OHMS

INSULATOR POLYPROPYLENE

MOUNTING POST BRASS
PLATED TIN



RECOMMENDED MOUNTING HOLE
MAXIMUM PANEL THICKNESS: 5.5(.217)
RECOMMENED MOUNTING TORQUE:
0.56 N-m(5 IN-LBS)

RECOMMENDED PCB LAYOUT

PS-89675-1030	ELECTRO/MECH PERFORM.
SPECIFICATION	DESCRIPTION

73171-4350	QTY (1) OF 73137-5003 IN SINGLE BAG WITH LABEL
73137-5003	BULK
PART NO.	PACKAGING

CHG: ADD 73171-4350 EC NO: URF2012-0448 DRWN: BOMALLEY 2012/01/18 CHKD: AZR 2012/01/18 APPR: JW IENER 2012/02/06	QUALITY SYMBOLS	GENERAL TOLERANCES (UNLESS SPECIFIED)	DIMENSION STYLE	SCALE	DESIGN UNITS	THIRD ANGLE PROJECTION
	▽=0 ▽=0	mm INCH	MM/IN	METRIC		

DRAWN BY BOMALLEY	DATE 2012/01/18	TITLE BNC JACK, R/A, PCB RECEPTACLE, 50 OHMS
CHECKED BY AZR	DATE 2012/01/18	
APPROVED BY JW IENER	DATE 2012/02/06	
MATERIAL NO.	DOCUMENT NO.	
SEE TABLE	SD-73137-5003	
DRAFT WHERE APPLICABLE MUST REMAIN WITHIN DIMENSIONS		SHEET NO. 1 OF 1
THIS DRAWING CONTAINS INFORMATION THAT IS PROPRIETARY TO MOLEX INCORPORATED AND SHOULD NOT BE USED WITHOUT WRITTEN PERMISSION		