

## General Specifications

**Motor Structure:** Shaded Pole Induction Motor  
**Motor Protection:** Impedance Protection  
**Insulation Resistance:**  
 10M Ω or over with a DC500V Megger  
**Dielectric Withstand Voltage:** AC 700V 1s  
**Allowable Ambient Temperature Range:**  
 -10°C ~ +65°C (Operating)  
 -40°C ~ +70°C (Storage)  
 (non-condensing environment)

## Expected Life

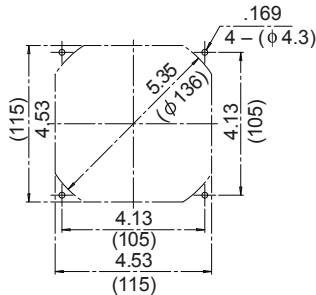
**Failure Rate: 10%**  
 25°C 100,000 Hours

## Material

**Casing** : Aluminum (Black Painting)  
**Impeller** : Plastic (Black) UL94V-0  
**Bearing** : Ball Bearings  
**Lead Wire** : AWG22, UL3266  
**or Terminal** : Faston #110 or equivalent

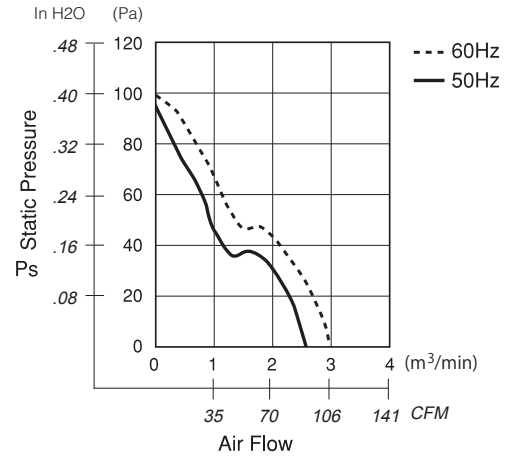
## Panel Cut-Outs

Units:  $\frac{\text{inch}}{\text{mm}}$

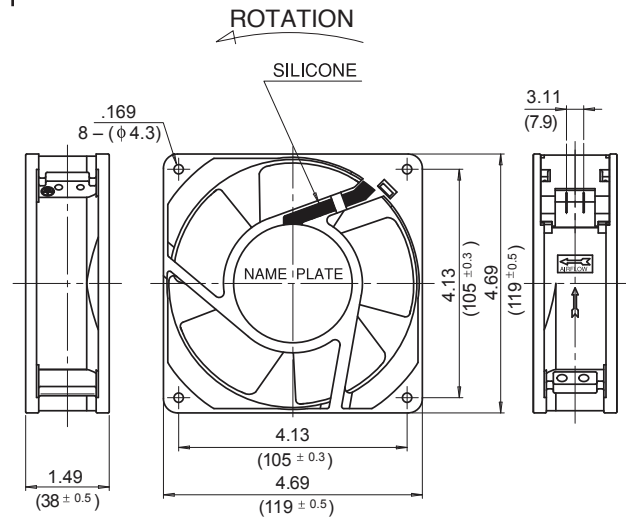


INLET SIDE / OUTLET SIDE

## Characteristic Curves



## Outline



## Specifications

| MODEL                | LEGACY P/N         | Rated Voltage | Frequency | Starting Voltage | Current          | Input Power | Speed                             | Max. Air Flow    |                                    | Max. Static Pressure |                   | Noise             | Mass |
|----------------------|--------------------|---------------|-----------|------------------|------------------|-------------|-----------------------------------|------------------|------------------------------------|----------------------|-------------------|-------------------|------|
|                      |                    | (V)           | (Hz)      | (V)              | (A) <sup>1</sup> | (W)         | (min <sup>-1</sup> ) <sup>2</sup> | CFM <sup>1</sup> | (m <sup>3</sup> /min) <sup>2</sup> | in H <sub>2</sub> O  | (Pa) <sup>2</sup> | (dB) <sup>2</sup> | (g)  |
| ** 11938SB-A0N-QA-00 | 4715HS-10T-B50-BM0 | 100           | 50        | 65               | 0.370            | 18.0        | 2600                              | 91.8             | 2.60                               | 0.380                | 94.0              | 40                | 610  |
|                      |                    | 100           | 60        | 65               | 0.290            | 15.5        | 3100                              | 105.9            | 3.00                               | 0.400                | 100.0             | 44                | 610  |
| 11938SB-A1N-QA-U0    | 4715HS-12T-B50-AM0 | 115           | 50        | 75               | 0.320            | 18.0        | 2600                              | 91.8             | 2.60                               | 0.380                | 94.0              | 40                | 610  |
|                      |                    | 115           | 60        | 75               | 0.250            | 15.5        | 3100                              | 105.9            | 3.00                               | 0.400                | 100.0             | 44                | 610  |
| ** 11938SB-B0N-QA-00 | 4715HS-20T-B50-BM0 | 200           | 50        | 130              | 0.180            | 18.0        | 2600                              | 91.8             | 2.60                               | 0.380                | 94.0              | 40                | 610  |
|                      |                    | 200           | 60        | 130              | 0.150            | 15.5        | 3100                              | 105.9            | 3.00                               | 0.400                | 100.0             | 44                | 610  |
| ** 11938SB-B2N-QA-00 | 4715HS-22T-B50-BM0 | 220           | 50        | 145              | 0.160            | 18.0        | 2600                              | 91.8             | 2.60                               | 0.380                | 94.0              | 40                | 610  |
|                      |                    | 220           | 60        | 145              | 0.130            | 15.5        | 3100                              | 105.9            | 3.00                               | 0.400                | 100.0             | 44                | 610  |
| 11938SB-B3N-QA-U0    | 4715HS-23T-B50-AM0 | 230           | 50        | 175              | 0.160            | 18.0        | 2600                              | 91.8             | 2.60                               | 0.380                | 94.0              | 40                | 610  |
|                      |                    | 230           | 60        | 175              | 0.120            | 15.5        | 3100                              | 105.9            | 3.00                               | 0.400                | 100.0             | 44                | 610  |
| ** 11938SB-B4N-QA-00 | 4715HS-24T-B50-AM0 | 240           | 50        | 175              | 0.150            | 18.0        | 2600                              | 91.8             | 2.60                               | 0.380                | 94.0              | 40                | 610  |
|                      |                    | 240           | 60        | 175              | 0.120            | 15.5        | 3100                              | 105.9            | 3.00                               | 0.400                | 100.0             | 44                | 610  |

Rotation: Counterclockwise      Airflow Outlet: Air Out Over Struts  
 \*\* Contact NMB for Availability

\*1: Maximum Values in Free Air  
 \*2: Average Values in Free Air  
 \*3: Minimum Values in Free Air