

REVISIONS				
REV	ECN	DESCRIPTION	DATE	APPROVED
T		ELASTOMER GASKET OPTION ADDED	SEP 15/09	ZLJ
U		DETAIL H ADDED	JAN 14/10	ZLJ
V		NOTE #3 ADDED	JAN 20/11	ZLJ
Z		BOTTOM VIEW ADDED	SEP 22/12	ZLJ

# FS1-SF1-1XXX

## MOUNTING SCREW OPTION

- 1 = 8 mm MOUNTING SCREW SHIPPED BULK IN SAME TRAYS WITH CAGE ASSEMBLIES
- 2 = NO MOUNTING SCREW SUPPLIED
- 3 = 10 mm MOUNTING SCREW WITH LOCK WASHER SHIPPED BULK IN SAME TRAYS WITH CAGE ASSEMBLIES

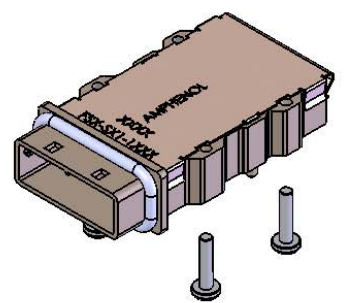
## GASKET OPTION

- E = STAINLESS STEEL EMI GASKET
- F = FOAM, CHOMERICS SOFT SHIELD 4800, EMI GASKET
- C = CONDUCTIVE ELASTOMER, CHOMERICS S6305

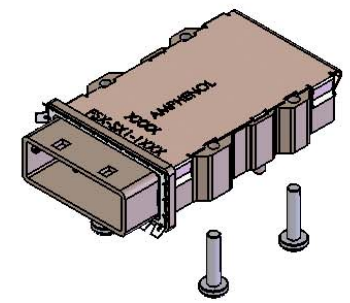
## KEYING OPTION (SEE BELOW TABLE FOR FURTHER CLARIFICATION)

- 0 = NO KEY
- 1 = KEY #1
- 2 = KEY #2
- 3 = KEY #3
- 4 = KEY #4
- 5 = KEY #5
- 6 = KEY #6
- 7 = KEY #7
- 24 = KEY #2 AND #4
- 46 = KEY #4 AND #6

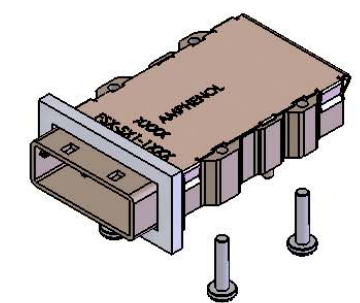
Key Option	Part Number	Description
0	FS1-SF1-10XX	No Key
1	FS1-SF1-11XX	SATA 'X' Cable
2	FS1-SF1-12XX	
3	FS1-SF1-13XX	
4	FS1-SF1-14XX	SAS Universal Port
5	FS1-SF1-15XX	
6	FS1-SF1-16XX	
7	FS1-SF1-17XX	SATA 'M' Cable
2, 4	FS1-SF1-124XX	SAS Out Port
4, 6	FS1-SF1-146XX	SAS In Port



PART NUMBER: **FS1-SF1-14C1** SHOWN  
(CAGE ASSEMBLY WITH ELASTOMERIC GASKET AND 8mm MOUNTING SCREWS SHIPPED BULK)



PART NUMBER: **FS1-SF1-14E1** SHOWN  
(CAGE ASSEMBLY WITH STAINLESS STEEL GASKET AND 8mm MOUNTING SCREWS SHIPPED BULK)



PART NUMBER: **FS1-SF1-14F1** SHOWN  
(CAGE ASSEMBLY WITH FOAM GASKET AND 8mm MOUNTING SCREWS SHIPPED BULK)

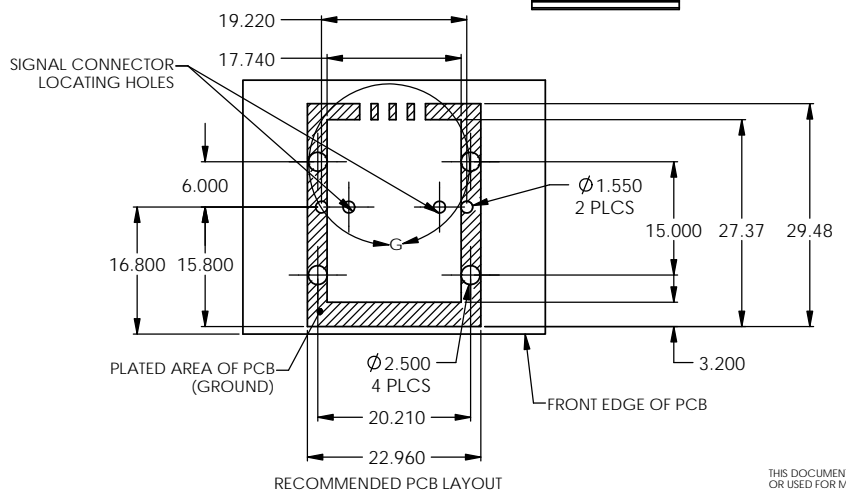
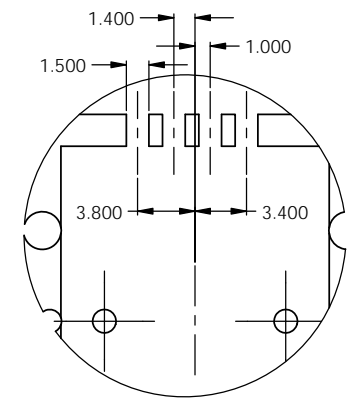
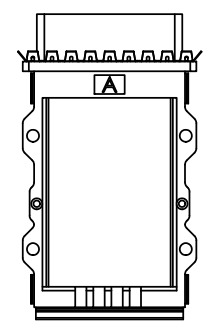
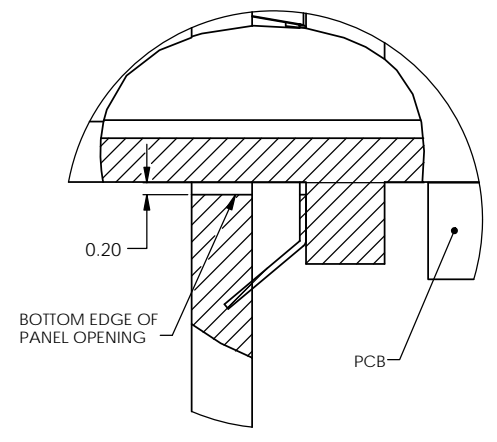
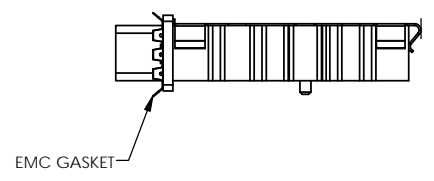
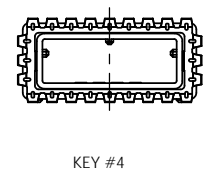
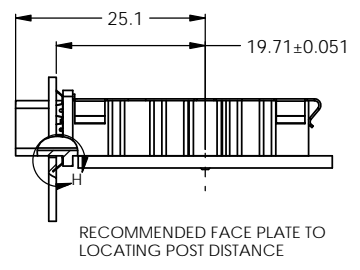
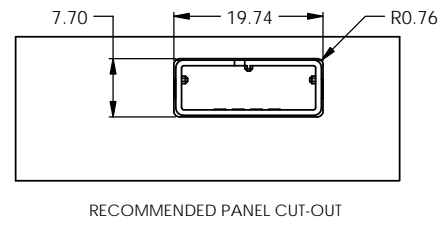
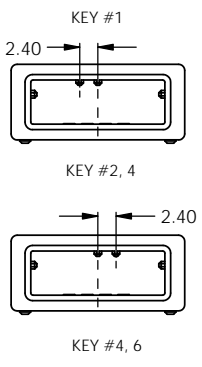
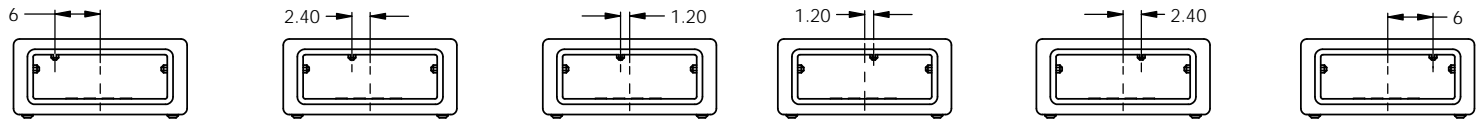
DO NOT SCALE DRAWING

THIS DOCUMENT CONTAINS PROPRIETARY INFORMATION AND SUCH INFORMATION MAY NOT BE DISCLOSED TO OTHERS FOR ANY PURPOSE OR USED FOR MANUFACTURING PURPOSES WITHOUT PERMISSION FROM AMPHENOL CANADA CORP.



APPROVALS		DATE	Amphenol Canada Corp.	
DRAWN	ZLJ	JAN 6/09	TITLE <b>MINI SAS 0 DEGREE SINGLE PORT CAGE</b>	
DESIGNED	ZLJ	JAN 06/09		
CHECKED			DWG. NO. <b>P-FS1-SF1-1XXX</b> REV. <b>Z</b>	
MATERIAL AND FINISH			SCALE <b>NTS</b> PROJECT <b>SFF</b> SHEET <b>1 OF 1</b>	
ENG. NO.	EAR 123XX			
CODE IDENT. NO.	03554			

REVISIONS				
REV	ECN	DESCRIPTION	DATE	APPROVED
Z		SEE SHEET 1	FEB 22/13	ZLJ



- NOTES:
- MATERIAL:  
 MAIN CAGE: ZINC DIECAST SHELL WITH 150 MICROINCHES OF NICKEL PLATING  
 EMC GASKET: SEE SHEET 1  
 COVER: STAINLESS STEEL  
 MOUNTING SCREW: AISI 1010 STEEL
  - ROHS COMPLIANT
  - COMPATIBLE WITH SFF-8088 SHIELDED MULTILANE MINI SAS PLUGS



UNLESS OTHERWISE SPECIFIED DIMENSIONS ARE IN MILLIMETERS TOLERANCES ARE:		APPROVALS		DATE		Amphenol Canada Corp.	
DECIMALS	ANGLES	DRAWN	ZLJ	JAN 06/09	TITLE		
X ± 0.25	± 2°	DESIGNED	ZLJ	JAN 06/09	MINI SAS 0 DEGREE SINGLE PORT CAGE		
.XX ± 0.10		CHECKED			DRAWING NO. P-FS1-SF1-1XXX REV Z		
.XXX ± 0.05		MATERIAL AND FINISH			SCALE NTS PROJECT SFF SHEET 1 OF 1		
ENG. REL. NO. EAR 123XX	ENG. APP'D						
CODE IDENT NO. 03554	ENG. APP'D						

DO NOT SCALE DRAWING

THIS DOCUMENT CONTAINS PROPRIETARY INFORMATION AND SUCH INFORMATION MAY NOT BE DISCLOSED TO OTHERS FOR ANY PURPOSE OR USED FOR MANUFACTURING PURPOSES WITHOUT PERMISSION FROM AMPHENOL CANADA CORP.