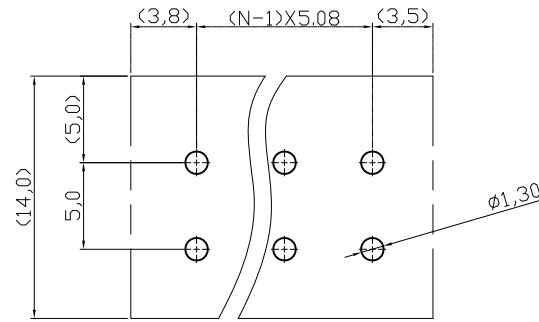
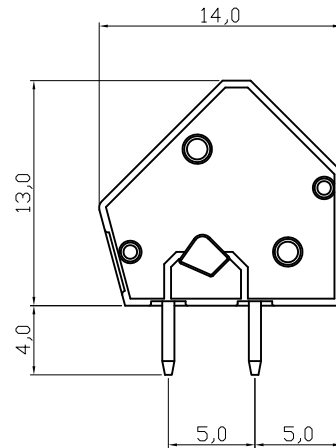


N=Number of contacts



RECOMMENDED PCB. LAYOUT



Material

Terminal body (Contact pin): Brass
 Wire guard: Stainless steel
 Surface of solder tail: Tin plated
 Insulator (housing): Thermoplastic (UL94V-0)

Electrical

Voltage rating: 300VAC
 Current rating: 15A
 Wire range:
 Solid wire(AWG): 12-28
 Stranded wire(AWG): 12-28
 Pull force:
 Screw:
 Wire strip length: 6-7mm
 Withstanding Voltage: 1.6KV
 Operating temperature: -40°C to +115°C
 Soldering temperature: 250°C±10°C/5 Sec
 Safety approval : us

RoHS compliant

Scale	1:1						Date	Name	Customer-No.	
TOLERANCE						Drawn	29.07.2009	Dean	ASSMANN WSW-No. A-TB508-HGxx	
X.	±0.50					Approved	29.07.2009	Hellwig		
X.X	±0.30									
X.XX	±0.10									
DIM	TOL								Drawing-No.	
X.°	±1°								ASS 3605 CO	rev01
X.X°	±X°	①	Drawn	29.07.2009	Dean				Replace	Sheet
Angle	TOL	Id.	Modification	Date	Name					

