

TOSHIBA Bi-CD Integrated Circuit Silicon Monolithic

TB67B001FTG, TB67B001AFTG

3-Phase PWM Driver for Sensorless Brushless Motors

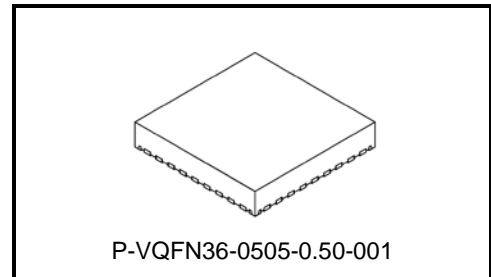
The TB67B001FTG, TB67B001AFTG is a three-phase PWM chopper driver for sensorless brushless motors. It controls motor rotation speed by changing the PWM duty cycle, based on the speed control input.

The difference of both products is as follows:

Lock detection signal (LD_OUT),

TB67B001FTG: Normal state: High, Abnormal state: Low

TB67B001AFTG: Normal state: Low, Abnormal state: High



Weight: 0.05 g (typ.)

Features

- Sensorless drive in three-phase full-wave mode
- PWM chopper control
- Control based on the pulse duty input or analog voltage input is selectable
- Output current: Absolute maximum rating: 3A
- Power supply: Absolute maximum rating: 25 V
- Adjustable output PMW duty
- Lead angle control
- Overlapping commutation (120°, 135°, and 150°)
- Selectable soft switching
- Rotation speed detecting signal (FG_OUT)
- Lock detecting signal (LD_OUT)
TB67B001FTG: Normal state: High, Abnormal state: Low
TB67B001AFTG: Normal state: Low, Abnormal state: High
- Adjustable startup settings
- Forced commutation frequency control
- Selectable PWM frequency
- Restart
- Overcurrent protection (ISD)
- Thermal shutdown (TSD)
- Undervoltage lockout (UVLO)
- Current limiter

Pin Description

Pin No.	Symbol	I/O	Description
1	U	O	U-phase output
2	U	O	U-phase output
3	RS	—	Connection pin for output current detecting resistance
4	RS	—	Connection pin for output current detecting resistance
5	V	O	V-phase output
6	V	O	V-phase output
7	W	O	W-phase output
8	W	O	W-phase output
9	TEST	—	Test pin (Connect to GND pin)
10	VM	—	Motor power supply pin
11	VM	—	Motor power supply pin
12	LD_OUT	O	Lock detecting signal output pin (open-drain)
13	FG_OUT	O	Rotation speed output pin (open-drain)
14	SLOP	I	Soft switching select input pin
15	ROT	I	Rotation speed of lead angle switching select pin
16	SEL_SP	I	Select pin: Pulse duty control of TSP/VSP input or analog voltage select pin
17	CW/CCW	I	Forward/Reverse rotation direction select input
18	TSP/VSP	I	Rotation speed command input (Pulse duty control and analog voltage control)
19	ADJ0	I	Characteristics adjustment of input duty
20	ADJ1	I	Characteristics adjustment input of PWM output duty 1
21	ADJ2	I	Characteristics adjustment input of PWM output duty 2
22	ADJ3	I	Characteristics adjustment input of PWM output duty 3
23	VREG	—	Reference voltage output
24	OSCCR	—	Internal OSC setting pin
25	GND	—	Ground connection pin
26	VST	I	Duty cycle setting pin for DC excitation and forced commutation modes
27	FPWM	I	PWM frequency select input
28	LA	I	Lead angle setting input
29	SEL_ADJ	I	PWM duty function setting input
30	LAP	I	Overlapping commutation select pin
31	FST	I	Forced commutation frequency select input
32	TSTEP	—	PWM duty increasing time setting pin
33	TIP	—	Connection pin for a capacitor to set the DC excitation time
34	TRE	—	Connection pin for a capacitor to set the restart time
35	GND	—	Ground connection pin
36	COM	I	Connection pin for the center tap of the motor

Functional Description

The equivalent circuit diagrams may be simplified or some parts of them may be omitted for explanatory purposes.

Timing charts may be simplified for explanatory purposes.

1. Sensorless Drive Mode

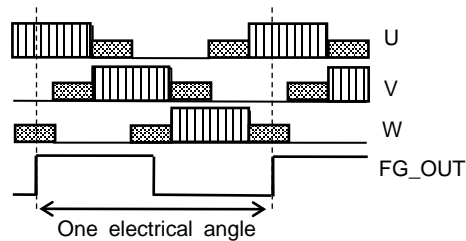
Based on the analog voltage input for a startup operation, the rotor is aligned to a known position in DC excitation mode. Then, the forced commutation signal is generated to start the motor rotation. As the motor rotates, the back-EMF occurs in each phase of the coil. When an input signal indicating the polarity of three phase voltage of the motor, including the back-EMF, is detected as a position signal, the motor driving signal is automatically switched from forced commutation signal to the normal commutation PWM signal that is based on the position signal input (back-EMF). Then, a BLDC motor starts running in sensorless commutation mode.

1) Forward /Reverse rotation direction switching: CW/CCW pin

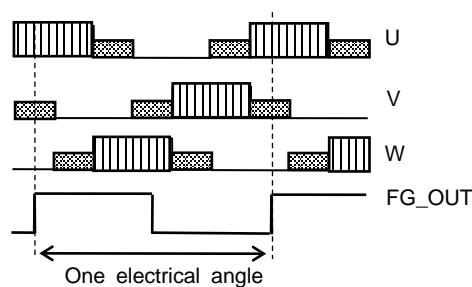
CW/CCW = Low: Forward direction, CW/CCW = High: Reverse direction

Do not switch the rotation direction during the motor operation to avoid stepping out. Switch the rotation direction after the motor operation stops.

• CW/CCW = Low (Forward)



• CW/CCW = High (Reverse)



2) Output of rotation speed signal: FG_OUT pin

Signal of 1 ppr (one pulse/one electrical angle) is outputted according to the motor induced voltage.

(*4-polar motor: 2 pulses are outputted per 1 motor rotation.)

Absolute Maximum Ratings (Note) (Ta = 25 °C)

Characteristics	Symbol	Rating	Unit
Power supply voltage	VM	25	V
Input voltage	V _{IN1} (Note1)	-0.3 to 6.0	V
	V _{IN2} (Note2)	-0.3 to 25	V
	V _{IN3} (Note3)	-0.3 to VREG+0.3	V
Output voltage	V _{OUT1} (Note4)	25	V
	V _{OUT2} (Note5)	25	V
Output current	I _{OUT1} (Note6)	3 (Note9)	A
	I _{OUT2} (Note7)	10	mA
	I _{OUT3} (Note8)	5	mA
Power dissipation	P _D	2.8 (Note10)	W
Operating temperature	T _{opr}	-40 to 105	°C
Storage temperature	T _{stg}	-55 to 150	°C

Note: The absolute maximum ratings of a semiconductor device are a set of ratings that must not be exceeded, even for a moment. Do not exceed any of these ratings.

Exceeding the rating (s) may cause the device breakdown, damage or deterioration, and may result injury by explosion or combustion.

Please use the TB67B001FTG/AFTG within the specified operating ranges.

Note1: V_{IN1} is applicable to the voltage at the following pins: TSP/VSP and CW/CCW

Note2: V_{IN2} is applicable to the voltage at the COM pin.

Note3: V_{IN3} is applicable to the voltage at the following pins:

SLOP, ROT, SEL_SP, ADJ0, ADJ1, ADJ2, ADJ3, OSCCR, VST, FPWM, LA, SEL_ADJ, LAP, FST, TSTEP, TIP, and TRE

Note4: V_{OUT1} is applicable to the voltage at the following pins: U, V and W

Note5: V_{OUT2} is applicable to the voltage at the following pins: FG_OUT and LD_OUT

Note6: I_{OUT1} is applicable to the voltage at the following pins: U, V and W

Note7: I_{OUT2} is applicable to the voltage at the following pins: FG_OUT and LD_OUT

Note8: I_{OUT3} is applicable to the voltage at the VREG pin.

Note9: Output current may be limited by the ambient temperature or the device implementation.

The maximum junction temperature should not exceed T_{jmax} = 150°C

Note10: When mounted on the board (4 layers: FR4: 76.2 mm x 114.3 mm x 1.6 mm)

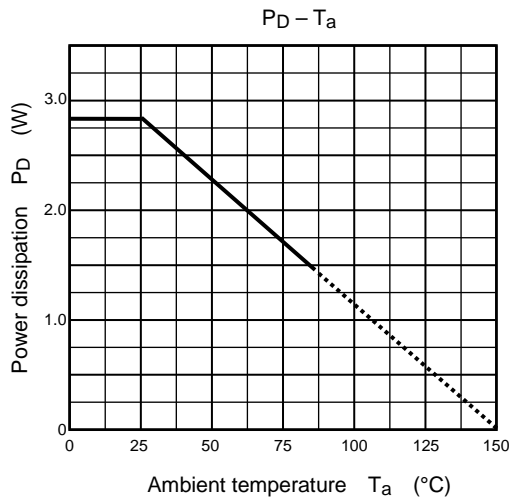
Operating Ranges

Characteristics	Symbol	Min	Typ.	Max	Unit
Power supply voltage 1	VMopr1	5.5	12	22	V
Power supply voltage 2 (Note11)	VMopr2	4	5	5.5	V
Input frequency of TSP/VSP pin (Note12)	foprTSP	0.4	25	100	kHz

Note11: When voltage of VM is 5.5 V or less, pay attention to use the IC because the characteristics of the output ON resistance and VREG output voltage change.

Note12: When the pulse duty of TSP/VSP pin is controlled (SEL_SP = Low)

Package Power Dissipation (Reference data)



Electrical Characteristics (Ta = 25°C, VM = 12 V, unless otherwise specified)

Characteristics	Symbol	Test Conditions	Min	Typ.	Max	Unit
Static power supply current at VM	IM	TSP/VSP = GND	—	5.5	8	mA
Dynamic power supply current at VM	IM (opr)	TSP/VSP = VREG RS = TIP = COM = GND,	—	6	8.5	mA
Input current	IIN1 (H)	VIN = 5 V, FST, LAP, SEL_ADJ	—	100	150	μA
	IIN1 (L)	VIN = 0 V, FST, LAP, SEL_ADJ	-150	-100	—	
	IIN2A	TSP/VSP SEL_SP = VREG	-1	—	1	
	IIN2D	TSP/VSP = 5V SEL_SP = GND	—	100	150	
	IIN2D	TSP/VSP = 0V SEL_SP = GND	-1	—	1	
	IIN3	ADJ0,ADJ1, ADJ2, ADJ3, VST,LA,FPWM	-1	—	1	
	IN4 (H)	VIN = 5 V SEL_SP,CW/CCW, SLOP,ROT	—	100	150	
	IN4 (L)	VIN = 0V SEL_SP,CW/CCW, SLOP,ROT	-1	0	—	
Input voltage	VIN1 (H)	TSP/VSP	2.0	—	—	V
	VIN1 (L)	SEL_SP = GND	GND	—	0.8	
	VIN2 (H)	FST, LAP, SEL_ADJ	VREG ×0.8	—	VREG +0.3	
	VIN2 (M)		VREG ×0.4	—	VREG ×0.6	
	VIN2 (L)		GND	—	VREG ×0.2	
	VIN3 (H)	SEL_SP,CW/CCW, SLOP,ROT	2.0	—	—	
	VIN3 (L)	SEL_SP,CW/CCW, SLOP,ROT	GND	—	0.8	
Input voltage hysteresis	V1hys	TSP/VSP SEL_SP = GND (Reference data)	—	0.12	—	V
	V2hys	SEL_SP,CW/CCW, SLOP(Reference data)	—	0.12	—	
TSTEP pin setting time	Tsoft	TSTEP = 0.01μF (Reference data)	—	0.099	—	s
TIP pin setting time	Tip	TIP = 0.1 μF (Reference data)	—	0.99	—	s
TRE pin setting time	Tre	TRE = 1 μF (Reference data)	—	9.9	—	s
High-level TIP, TRE, and TSTEP voltage	VH		2.25	2.5	2.75	V
Low-level TIP, TRE, and TSTEP voltage	VL		0.45	0.5	0.55	V
COM pin input current	Icom		-5	-1.3	1	μA
Position detection comparator offset voltage	Voffset	(Reference data)	-10	0	10	mV
Low-level FG_OUT/LD_OUT output voltage	VFG_OUT	IOUT = 5mA	GND	—	0.5	V
FG_OUT/LD_OUT leakage current	ILFG_OUT	VOUT = 25 V	—	0	2	μA
Output ON-resistance at the U, V and W pins	RON1 (H)	IOUT = -0.1A	—	0.3	0.6	Ω
	RON1 (L)	IOUT = 0.1A	—	0.3	0.6	
	RON2 (H)	IOUT = -0.1A, VM = 4.0 V	—	0.33	0.6	

Characteristics	Symbol	Test Conditions	Min	Typ.	Max	Unit
	RON2 (L)	I _{OUT} = 0.1A, V _M = 4.0 V	—	0.33	0.6	
Output leakage current at the U, V and W pins	I _L (H)	V _{OUT} = 0 V	-10	0	—	μA
	I _L (L)	V _{OUT} = 25 V	—	0	10	
Output diodes' forward voltage at the U, V and W pins	V _F (H)	I _{OUT} = 1.5A(Reference data)	—	1.0	1.4	V
	V _F (L)	I _{OUT} = -1.5A(Reference data)	—	1.0	1.4	
VST ON resistance in power on	RVST		—	600	1000	Ω
TSP/VSP I/O characteristics in analog voltage control	V _{AD} (L)	TSP/VSP SEL_SP = VREG DUTY = 0%	0.56	0.625	0.69	V
	V _{AD} (H)	TSP/VSP SEL_SP = VREG DUTY = 100%	2.81	3.125	—	
Masking time of current limit detection	TRS	(Reference data)	—	3	—	μs
RS pin voltage for current detection	VRS		0.225	0.25	0.275	V
PWM oscillation frequency	FPWM4	(Reference data)	171.5	190.6	209.7	kHz
	FPWM3	(Reference data)	85.7	95.3	104.9	
	FPWM2	(Reference data)	42.8	47.7	52.5	
	FPWM1	(Reference data)	21.4	23.8	26.3	
OSC frequency	OSC	OSCCR:20kΩ, 180pF(Reference data)	10.98	12.2	13.42	MHz
Masking time of over current detection	TISD	(Reference data)	—	3	—	μs
Current for over current detection	IISD	(Reference data)	—	4.5	—	A
Thermal shutdown	TSD	(Reference data)	—	165	—	°C
	TSDhys	Thermal shutdown hysteresis (Reference data)	—	15	—	
UVLO trip threshold voltage at the VM pin	VMUVLO		3.1	3.4	3.7	V
UVLO recovery voltage at the VM pin	VMUVLOR		3.4	3.7	3.98	V
UVLO trip threshold voltage at the VREG pin	VREGUVLO		2.7	3.0	3.3	V
UVLO recovery voltage at the VREG pin	VREGUVLOR		2.9	3.2	3.45	V
VREG output voltage	VREG1	I _{VREG} = -5 mA	4.5	5	5.5	V
	VREG2	I _{VREG} = -5 mA, V _M = 4.0V	3.6	3.9	4.0	V

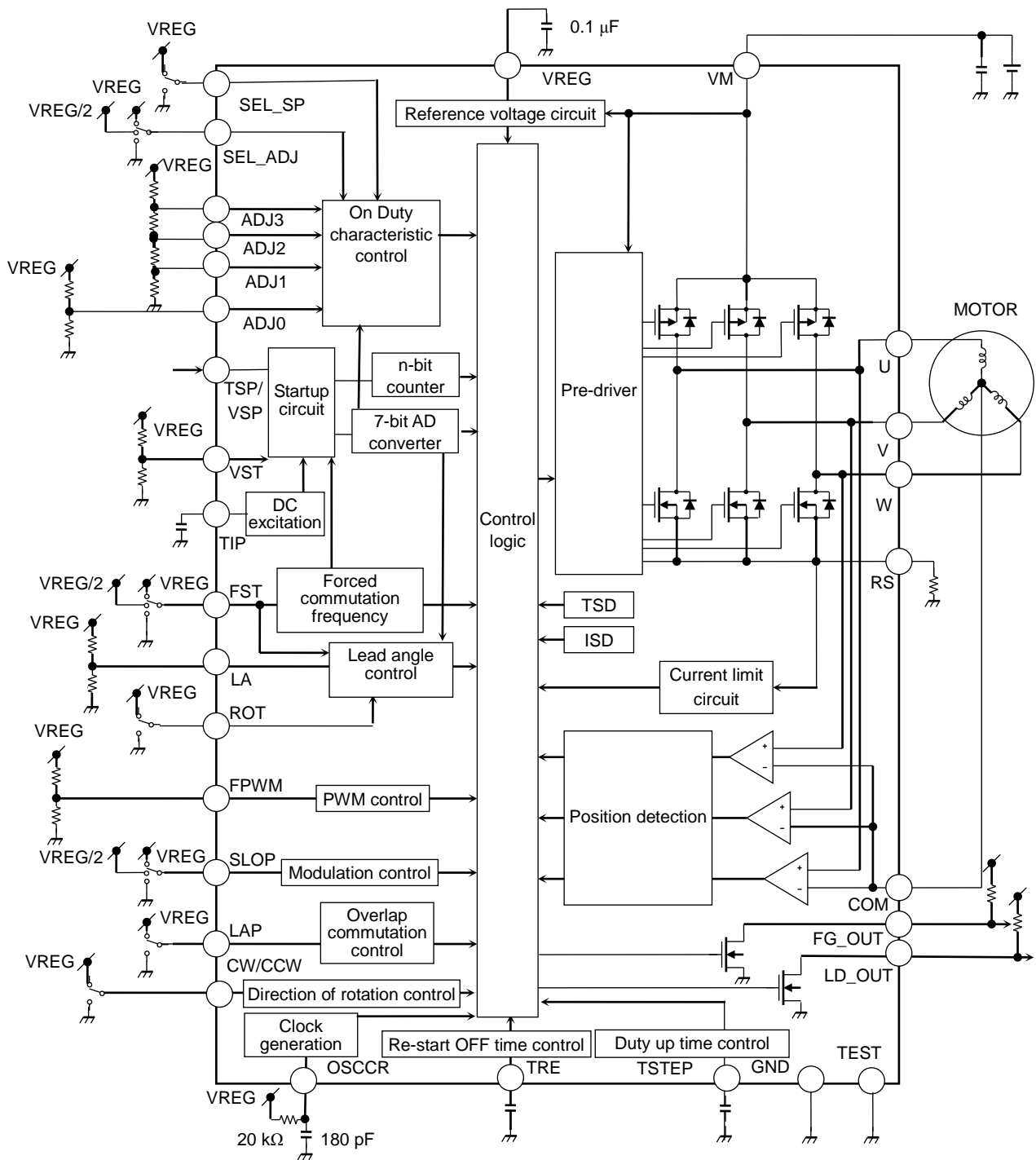
*Reference data: Toshiba does not implement testing before shipping.

Application Circuit Example

Some of the functional blocks, circuits, or constants in the block diagram may be omitted or simplified for explanatory purposes.

The application circuits shown in this document are provided for reference purposes only. Thorough evaluation is required, especially at the mass production design stage.

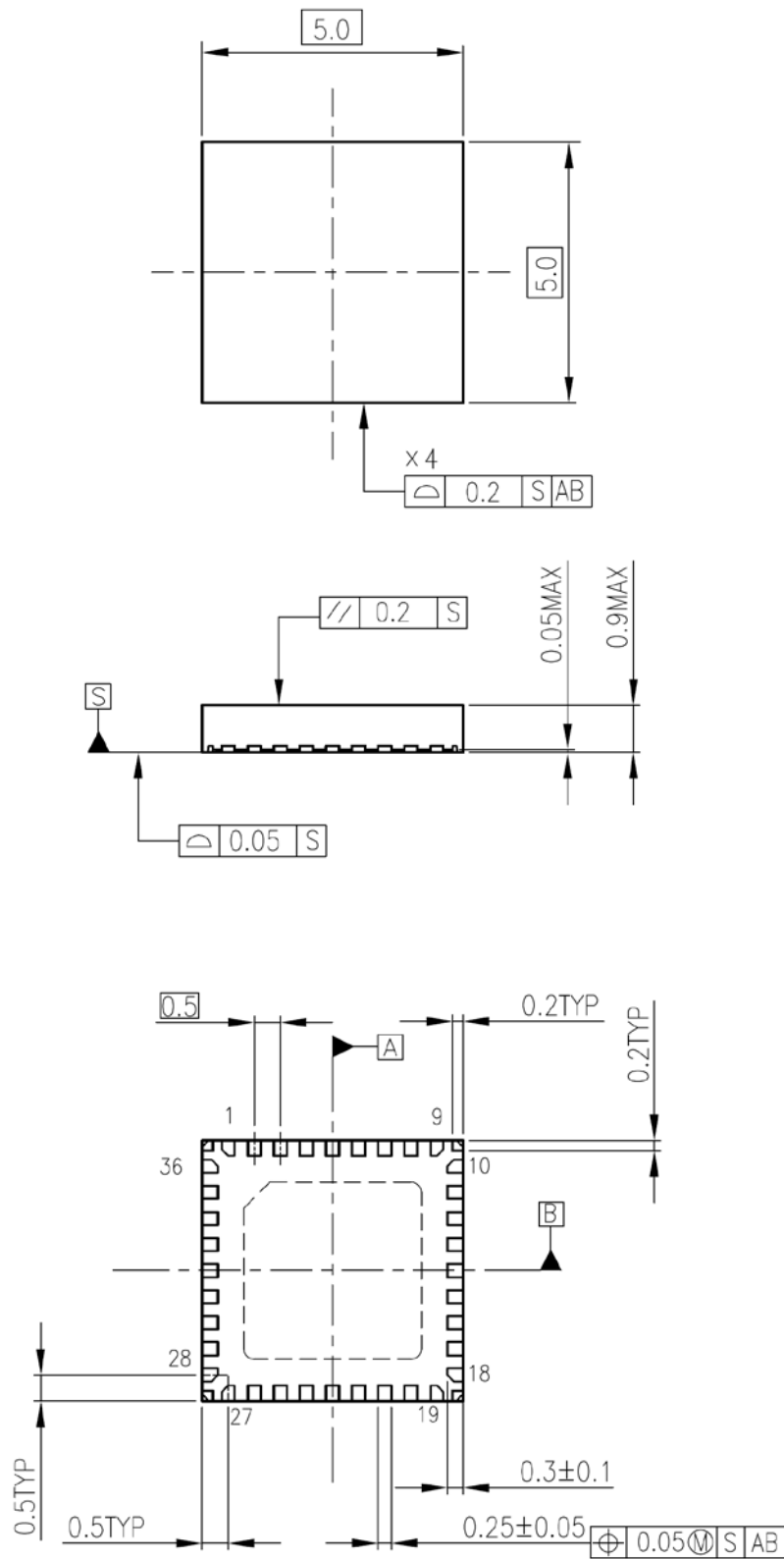
Toshiba does not grant any license to any industrial property rights by providing these examples of application circuits.



Package Dimensions

P-VQFN36-0505-0.50-001

Unit: mm



Weight: 0.05g (typ.)

Notes on Contents

1. Block Diagrams

Some of the functional blocks, circuits, or constants in the block diagram may be omitted or simplified for explanatory purposes.

2. Equivalent Circuits

The equivalent circuit diagrams may be simplified or some parts of them may be omitted for explanatory purposes.

3. Timing Charts

Timing charts may be simplified for explanatory purposes.

4. Application Circuits

The application circuits shown in this document are provided for reference purposes only. Thorough evaluation is required, especially at the mass production design stage.

Toshiba does not grant any license to any industrial property rights by providing these examples of application circuits.

5. Test Circuits

Components in the test circuits are used only to obtain and confirm the device characteristics. These components and circuits are not guaranteed to prevent malfunction or failure from occurring in the application equipment.

IC Usage Considerations

Notes on handling of ICs

- (1) The absolute maximum ratings of a semiconductor device are a set of ratings that must not be exceeded, even for a moment. Do not exceed any of these ratings.
Exceeding the rating(s) may cause the device breakdown, damage or deterioration, and may result injury by explosion or combustion.
- (2) Use an appropriate power supply fuse to ensure that a large current does not continuously flow in case of over current and/or IC failure. The IC will fully break down when used under conditions that exceed its absolute maximum ratings, when the wiring is routed improperly or when an abnormal pulse noise occurs from the wiring or load, causing a large current to continuously flow and the breakdown can lead smoke or ignition. To minimize the effects of the flow of a large current in case of breakdown, appropriate settings, such as fuse capacity, fusing time and insertion circuit location, are required.
- (3) If your design includes an inductive load such as a motor coil, incorporate a protection circuit into the design to prevent device malfunction or breakdown caused by the current resulting from the inrush current at power ON or the negative current resulting from the back electromotive force at power OFF. IC breakdown may cause injury, smoke or ignition.
Use a stable power supply with ICs with built-in protection functions. If the power supply is unstable, the protection function may not operate, causing IC breakdown. IC breakdown may cause injury, smoke or ignition.
- (4) Do not insert devices in the wrong orientation or incorrectly.
Make sure that the positive and negative terminals of power supplies are connected properly. Otherwise, the current or power consumption may exceed the absolute maximum rating, and exceeding the rating(s) may cause the device breakdown, damage or deterioration, and may result injury by explosion or combustion.
In addition, do not use any device that is applied the current with inserting in the wrong orientation or incorrectly even just one time.

- (5) Carefully select external components (such as inputs and negative feedback capacitors) and load components (such as speakers), for example, power amp and regulator.
If there is a large amount of leakage current such as input or negative feedback condenser, the IC output DC voltage will increase. If this output voltage is connected to a speaker with low input withstand voltage, overcurrent or IC failure can cause smoke or ignition. (The over current can cause smoke or ignition from the IC itself.) In particular, please pay attention when using a Bridge Tied Load (BTL) connection type IC that inputs output DC voltage to a speaker directly.

Points to remember on handling of ICs

- (1) Over current Protection Circuit
Over current protection circuits (referred to as current limiter circuits) do not necessarily protect ICs under all circumstances. If the Over current protection circuits operate against the over current, clear the over current status immediately.
Depending on the method of use and usage conditions, such as exceeding absolute maximum ratings can cause the over current protection circuit to not operate properly or IC breakdown before operation. In addition, depending on the method of use and usage conditions, if over current continues to flow for a long time after operation, the IC may generate heat resulting in breakdown.
- (2) Thermal Shutdown Circuit
Thermal shutdown circuits do not necessarily protect ICs under all circumstances. If the thermal shutdown circuits operate against the over temperature, clear the heat generation status immediately. Depending on the method of use and usage conditions, such as exceeding absolute maximum ratings can cause the thermal shutdown circuit to not operate properly or IC breakdown before operation.
- (3) Heat Radiation Design
In using an IC with large current flow such as power amp, regulator or driver, please design the device so that heat is appropriately radiated, not to exceed the specified junction temperature (T_j) at any time and condition. These ICs generate heat even during normal use. An inadequate IC heat radiation design can lead to decrease in IC life, deterioration of IC characteristics or IC breakdown. In addition, please design the device taking into consideration the effect of IC heat radiation with peripheral components.
- (4) Back-EMF
When a motor rotates in the reverse direction, stops or slows down abruptly, a current flow back to the motor's power supply due to the effect of back-EMF. If the current sink capability of the power supply is small, the device's motor power supply and output pins might be exposed to conditions beyond absolute maximum ratings. To avoid this problem, take the effect of back-EMF into consideration in system design.

RESTRICTIONS ON PRODUCT USE

- Toshiba Corporation, and its subsidiaries and affiliates (collectively "TOSHIBA"), reserve the right to make changes to the information in this document, and related hardware, software and systems (collectively "Product") without notice.
- This document and any information herein may not be reproduced without prior written permission from TOSHIBA. Even with TOSHIBA's written permission, reproduction is permissible only if reproduction is without alteration/omission.
- Though TOSHIBA works continually to improve Product's quality and reliability, Product can malfunction or fail. Customers are responsible for complying with safety standards and for providing adequate designs and safeguards for their hardware, software and systems which minimize risk and avoid situations in which a malfunction or failure of Product could cause loss of human life, bodily injury or damage to property, including data loss or corruption. Before customers use the Product, create designs including the Product, or incorporate the Product into their own applications, customers must also refer to and comply with (a) the latest versions of all relevant TOSHIBA information, including without limitation, this document, the specifications, the data sheets and application notes for Product and the precautions and conditions set forth in the "TOSHIBA Semiconductor Reliability Handbook" and (b) the instructions for the application with which the Product will be used with or for. Customers are solely responsible for all aspects of their own product design or applications, including but not limited to (a) determining the appropriateness of the use of this Product in such design or applications; (b) evaluating and determining the applicability of any information contained in this document, or in charts, diagrams, programs, algorithms, sample application circuits, or any other referenced documents; and (c) validating all operating parameters for such designs and applications. **TOSHIBA ASSUMES NO LIABILITY FOR CUSTOMERS' PRODUCT DESIGN OR APPLICATIONS.**
- **PRODUCT IS NEITHER INTENDED NOR WARRANTED FOR USE IN EQUIPMENTS OR SYSTEMS THAT REQUIRE EXTRAORDINARILY HIGH LEVELS OF QUALITY AND/OR RELIABILITY, AND/OR A MALFUNCTION OR FAILURE OF WHICH MAY CAUSE LOSS OF HUMAN LIFE, BODILY INJURY, SERIOUS PROPERTY DAMAGE AND/OR SERIOUS PUBLIC IMPACT ("UNINTENDED USE").** Except for specific applications as expressly stated in this document, Unintended Use includes, without limitation, equipment used in nuclear facilities, equipment used in the aerospace industry, medical equipment, equipment used for automobiles, trains, ships and other transportation, traffic signaling equipment, equipment used to control combustions or explosions, safety devices, elevators and escalators, devices related to electric power, and equipment used in finance-related fields. **IF YOU USE PRODUCT FOR UNINTENDED USE, TOSHIBA ASSUMES NO LIABILITY FOR PRODUCT.** For details, please contact your TOSHIBA sales representative.
- Do not disassemble, analyze, reverse-engineer, alter, modify, translate or copy Product, whether in whole or in part.
- Product shall not be used for or incorporated into any products or systems whose manufacture, use, or sale is prohibited under any applicable laws or regulations.
- The information contained herein is presented only as guidance for Product use. No responsibility is assumed by TOSHIBA for any infringement of patents or any other intellectual property rights of third parties that may result from the use of Product. No license to any intellectual property right is granted by this document, whether express or implied, by estoppel or otherwise.
- **ABSENT A WRITTEN SIGNED AGREEMENT, EXCEPT AS PROVIDED IN THE RELEVANT TERMS AND CONDITIONS OF SALE FOR PRODUCT, AND TO THE MAXIMUM EXTENT ALLOWABLE BY LAW, TOSHIBA (1) ASSUMES NO LIABILITY WHATSOEVER, INCLUDING WITHOUT LIMITATION, INDIRECT, CONSEQUENTIAL, SPECIAL, OR INCIDENTAL DAMAGES OR LOSS, INCLUDING WITHOUT LIMITATION, LOSS OF PROFITS, LOSS OF OPPORTUNITIES, BUSINESS INTERRUPTION AND LOSS OF DATA, AND (2) DISCLAIMS ANY AND ALL EXPRESS OR IMPLIED WARRANTIES AND CONDITIONS RELATED TO SALE, USE OF PRODUCT, OR INFORMATION, INCLUDING WARRANTIES OR CONDITIONS OF MERCHANTABILITY, FITNESS FOR A PARTICULAR PURPOSE, ACCURACY OF INFORMATION, OR NONINFRINGEMENT.**
- Do not use or otherwise make available Product or related software or technology for any military purposes, including without limitation, for the design, development, use, stockpiling or manufacturing of nuclear, chemical, or biological weapons or missile technology products (mass destruction weapons). Product and related software and technology may be controlled under the applicable export laws and regulations including, without limitation, the Japanese Foreign Exchange and Foreign Trade Law and the U.S. Export Administration Regulations. Export and re-export of Product or related software or technology are strictly prohibited except in compliance with all applicable export laws and regulations.
- Please contact your TOSHIBA sales representative for details as to environmental matters such as the RoHS compatibility of Product. Please use Product in compliance with all applicable laws and regulations that regulate the inclusion or use of controlled substances, including without limitation, the EU RoHS Directive. **TOSHIBA ASSUMES NO LIABILITY FOR DAMAGES OR LOSSES OCCURRING AS A RESULT OF NONCOMPLIANCE WITH APPLICABLE LAWS AND REGULATIONS.**