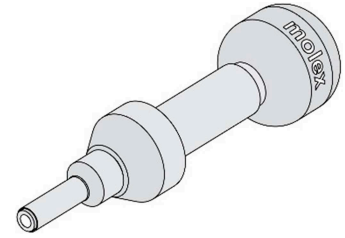




Extractor Tool

**Application Tooling  
Specification Sheet**



**Order No. 200222-0200**

**FEATURES**

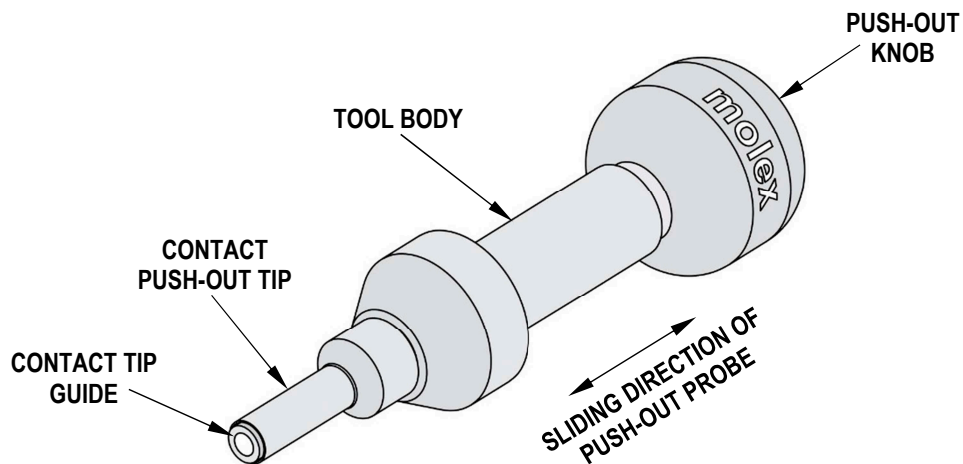
- This extractor tool is for the removal of MultiCat CRP contacts for male and female terminals

**SCOPE**

Products: MultiCat CRP Contact Terminals 8-18 AWG.

Terminal Series No.	Terminal Order No.
201845	201845-0010
	201845-0020
	201845-0030
	201845-0040
201846	201846-0010
	201846-0020
	201846-0030
	201846-0040

**DEFINITION OF TERMS**



## OPERATION

This extraction tool must be used for both the plug (male) and receptacle (female) when removing the contact terminal from the housing assembly.

1. Remove the protector probe cover from the end of the tool. See Figure 1.
2. Position the extraction tool so that the contact tip guide can be pushed onto the plug or receptacle end of the contact housing assembly. See Figure 2.

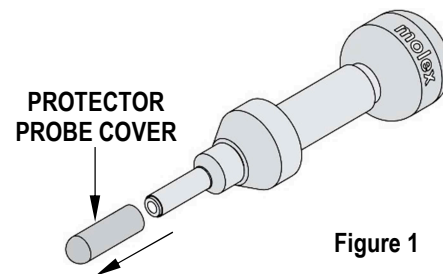


Figure 1

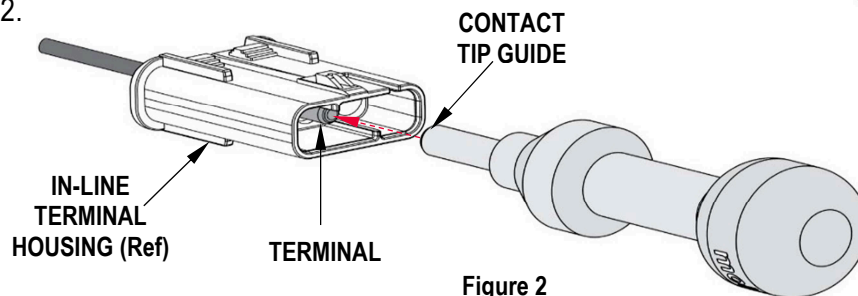


Figure 2

3. With the plug or receptacle now inside of the contact push-out tip, the push-out knob should be extended from the tool body. See Figure 3.

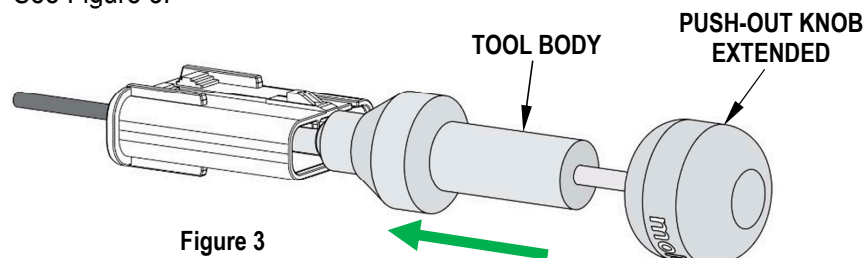


Figure 3

4. Using one hand, grasp the housing body, and place your other hand on the push-out knob. The contact assembly can now be pushed out of the housing by pushing on the push-out knob in the direction shown. See Figure 4. Do not grasp the tool body when attempting to push out the contact terminal.
5. With the push-out knob pushed forward, the contact assembly is unlatched from the housing and can now be removed from the housing. See Figure 4.

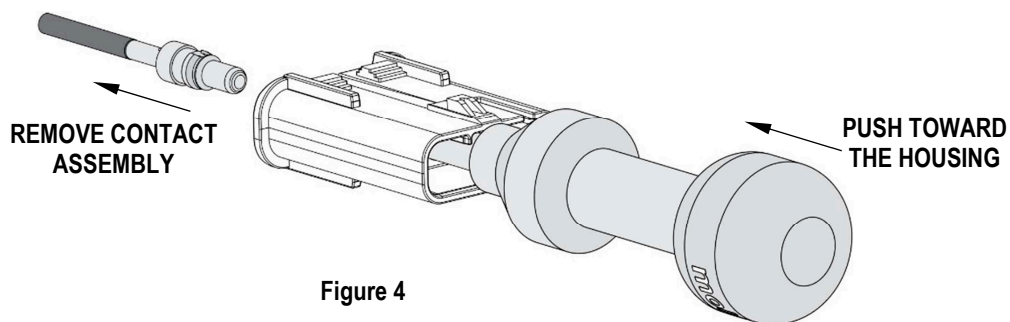


Figure 4

**Note:** After the terminal contact is extracted, inspect the housing cavity to determine if any damage was done to the housing.

Inspect the contact terminal for any surface defects. Reuse of the removed contact terminal is not recommended.

**Note:** Molex does not offer repair parts for extractor tools because of the inexpensive nature of these tools.

**CAUTION:** This extractor tool should be used to extract the terminal only. Using it for unintended purposes may cause injury or damage to parts. Be careful not to deform the end of the terminal.

**CAUTION:** Molex specifications are valid only when used with Molex terminals, applicators and tooling.

### **Application Tooling Support**

**Phone:** (402) 458-TOOL (8665)

**E-Mail:** [applicationtooling@molex.com](mailto:applicationtooling@molex.com)

**Website:** [www.molex.com/applicationtooling](http://www.molex.com/applicationtooling)

Molex is a registered trademark of Molex, LLC in the United States of America and may be registered in other countries; all other trademarks listed herein belong to their respective owners.