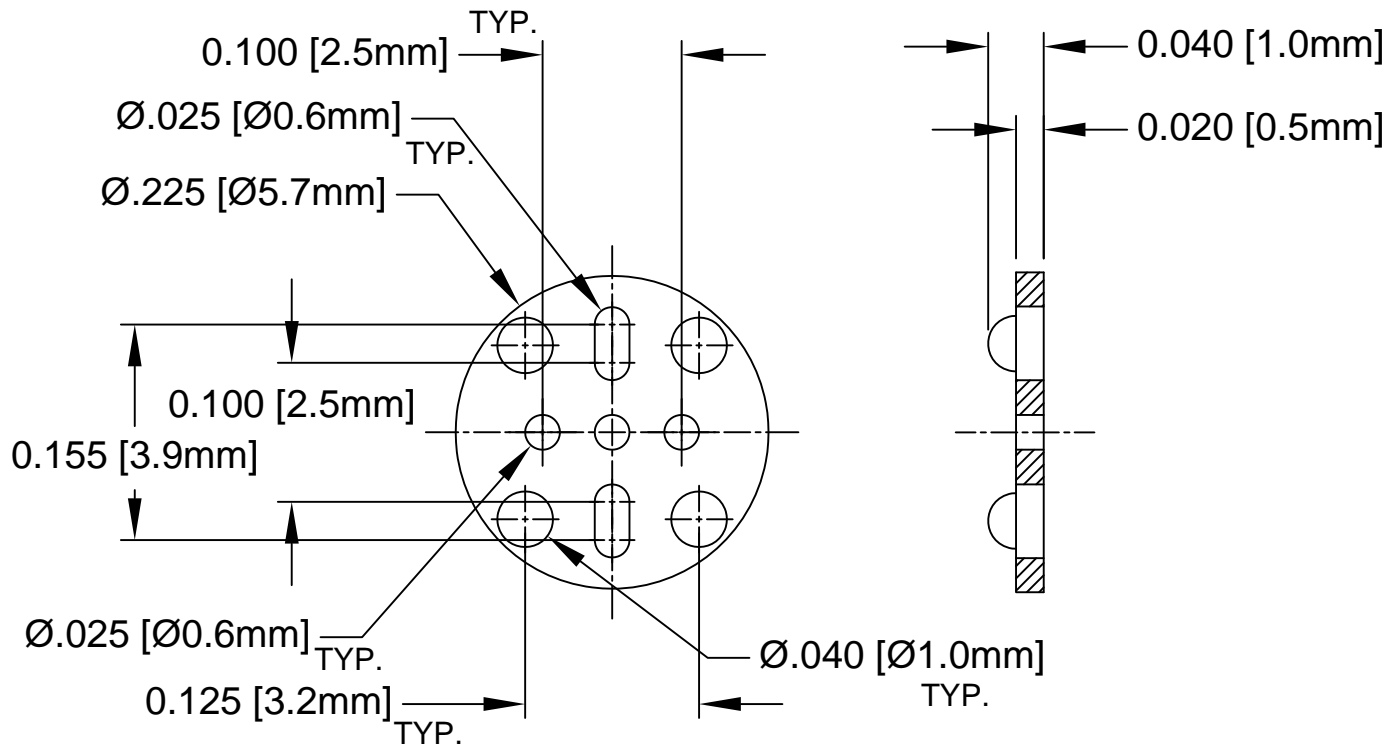

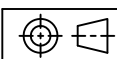


REV.	DESCRIPTION	DATE	APPROVED
C	Engineering Update w/o Changes	02/16/04	M. C.
D	Removed Material Code	05/22/16	J. C.



- 2. MATERIAL: NYLON 6/6, 94V-2, WHITE.
- 1. GENERAL SPECIFICATIONS: BIVAR MOLDED COMPONENT SPECIFICATION BV00-E101.

STANDARD TOLERANCE (UNLESS OTHERWISE SPECIFIED)		 4 THOMAS, IRVINE, CA. 92618 TEL: (949) 951-8808 FAX: (949) 951-3974	
DECIMALS	ANGULAR		
.X ± .1	X° ± 1°		TITLE: PERM-O-PAD TO-18 MOUNT
.XX ± .01			DESIGNED: S. Irving
.XXX ± .005		CHECKED: M. Chen	DATE: 06/25/02
		PART NO: 112-040	REVISION: D
		CAGE CODE : 32559	SHEET # 1 OF 1
CAD GENERATED DOCUMENT. DO NOT MEASURE DRAWING.			