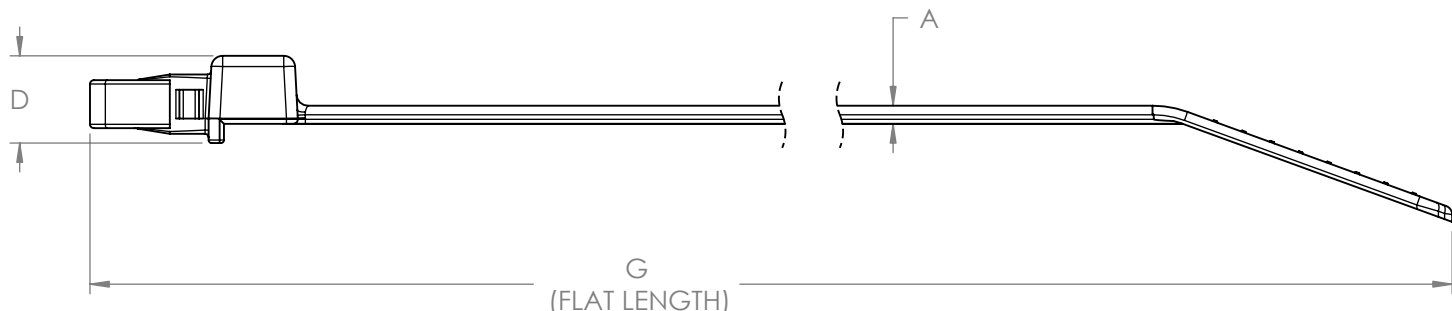
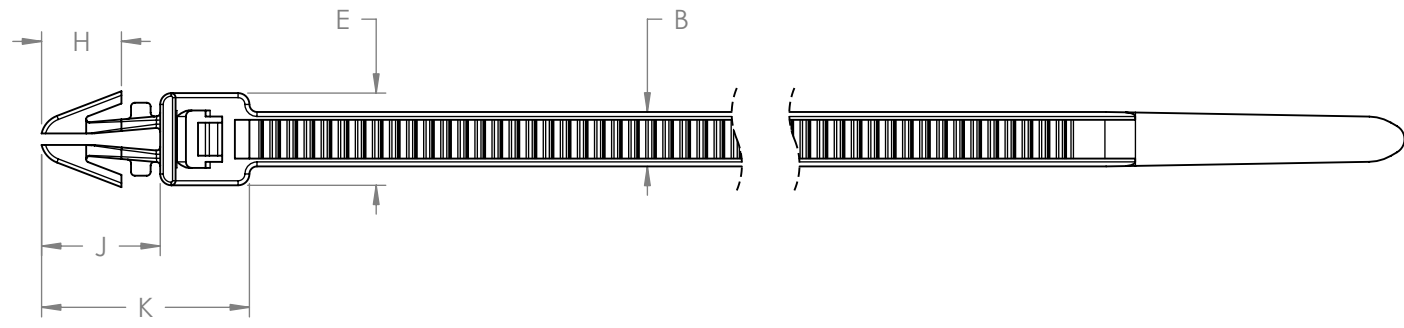


Revision level		Revision Record	Changed	Date	Approved	Date
Part	Drawing					
-	01	See ECN 003920	AAC	06/24/03	KAC	07/11/2003



**PRODUCT CODE DESCRIPTION**

T30RSF\_HS  
 COLOR  
 (CONSULT FACTORY FOR AVAILABLE COLORS)



Hole Dia: 4.76 to 5.59  
 Max Thickness: 2.36

**Panel Specifications**

SEE CHART

**Material**

Unique Numbering System	Product Code	Cable Range	Material	A	B	D	E	G	H	J	K	Min Loop Tensile Strength (newtons)
-	T30RSF_	1.6 to 31.8	PA66	1.2±0.2	3.6±0.2	5.7±0.5	6.1±0.5	161±8.0	5.3±0.2	7.8±0.5	13.7±0.5	135
-	T30RSF_HS		PA66HS									

Dimension tolerances unless otherwise specified

- .XXXX = ±.0130
- .XXX = ±.130
- .XX = ±.30
- .X = ±.8
- ∠ = ±0.5°

Dimension Units mm

PERFORMANCE SPECIFICATION



ALL PROPRIETARY RIGHTS IN THE SUBJECT MATTER SHOWN ON THIS DRAWING ARE EXCLUSIVE PROPERTY OF HELLERMANNNTYTON

Drawn KAC 9/21/98  
 Approved KAC 07/11/2003

**HellermannTyton®**

7930 N. Faulkner Rd.  
 Milwaukee, WI 53224  
 Ph: (414) 355-1130  
 Fx: (414) 362-8338

Scale 2:1  
 Title  
 Computer File Number CT2032001CST\_01

**T30RSF  
 PUSH MOUNT TIE**

Drawing-No **CT2032001CST**  
 Format **AH**  
 Sheet 1 of 1