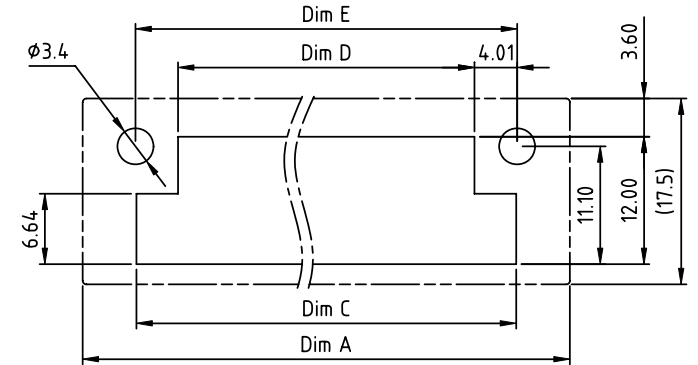
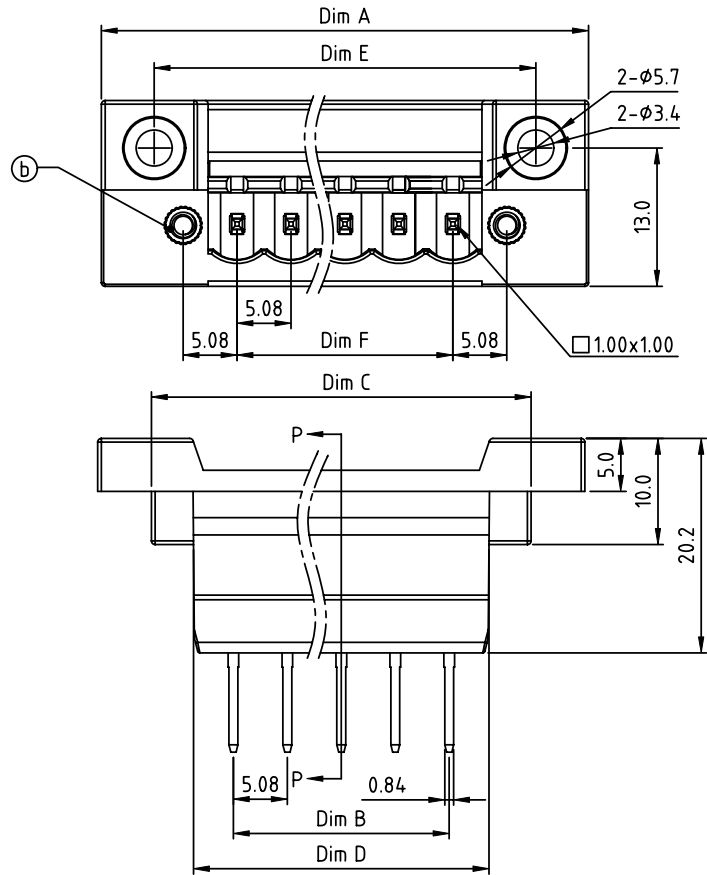
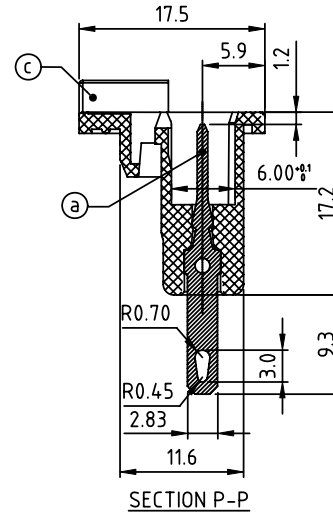


PRODUCT NUMBER	PITCH
VZxx50x000J0G	5.08 mm



RECOMMENDED P.C.B CUTOUT  
TOP VIEW



SECTION P-P

Material:

- ItemⒶ Solder Pin: Brass with Tin plated.
- ItemⒹ Flange nut: brass M2.5
- ItemⒸ Terminal (housing): Thermoplastic(UL94V-0)

Electrical cULus

- Voltage rating: 300VAC
- Current rating: 12A
- Withstanding Voltage: 1.6kv
- Operating temperature: -40°C to +115°C
- Soldering temperature: 260°C±5°C/5 Sec
- Safety Approval:

DIMENSION

Dim A	Nx5.08+20.5
Dim B	(N-1)x5.08
Dim C	Nx5.08+10.3
Dim D	Nx5.08+2.5
Dim E	Nx5.08+10.52
Dim F	(N-1)x5.08

N=Number of poles

Poles	Tolerance
2-5P	±0.15
6-10P	±0.20
11-15P	±0.30
16-24P	±0.40

PART NO.: VZ xx 50 x 0 00J0 G

Solid block	0	Black (RAL9005)	RoHS compliant (lead<4%) In copper Alloy
No. of poles	2	Red (RAL3001/D)	
02	2 poles	3 Orange(RAL2011/P)	
03	3 poles	4 Yellow(RAL1018/A)	
...	...	5 Green(RAL6018/T)	
24	24 poles	6 Blue (RAL5015/A)	
		8 Grey(RAL7035/D)	
		9 White(RAL1102)	
		C Green(RAL6018/U)	

mat'l. code	surface ASME Y14.5	tolerance ASME Y14.5	projection	product family TERMINAL BLOCK
ltr	ecn	no	dr	date
tolerances unless otherwise specified				title
angles	φ	±		TERMINAL BLOCK
		X.±0.5	MM	PLUGGABLE SOCKET, FEED-THROUGH HEADER
		X.X±0.3	scale	dwg no
		X.XX±0.1		sheet 1 of 1
dr	EVIN ZHONG	050714		size
engr	EVIN ZHONG	050714		A4
chr	HANKE FENG	050714		VZxx50x000J0G
appd	SHI JUN	050714	type	CUSTOMER Drawing
sheet index	revision	B		
	sheet	1		