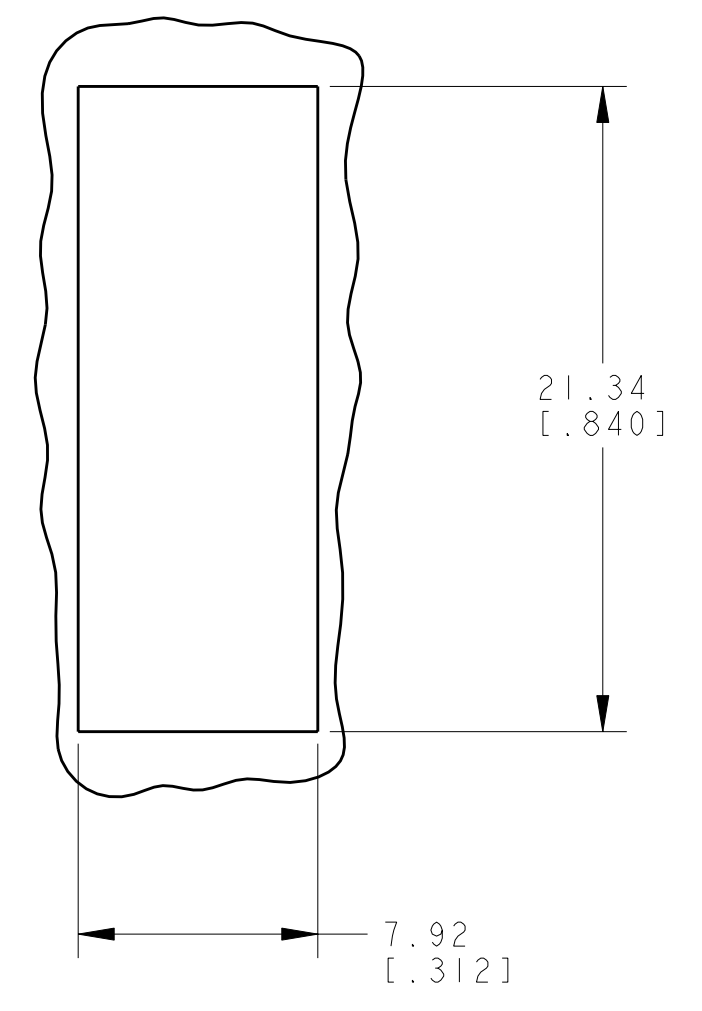
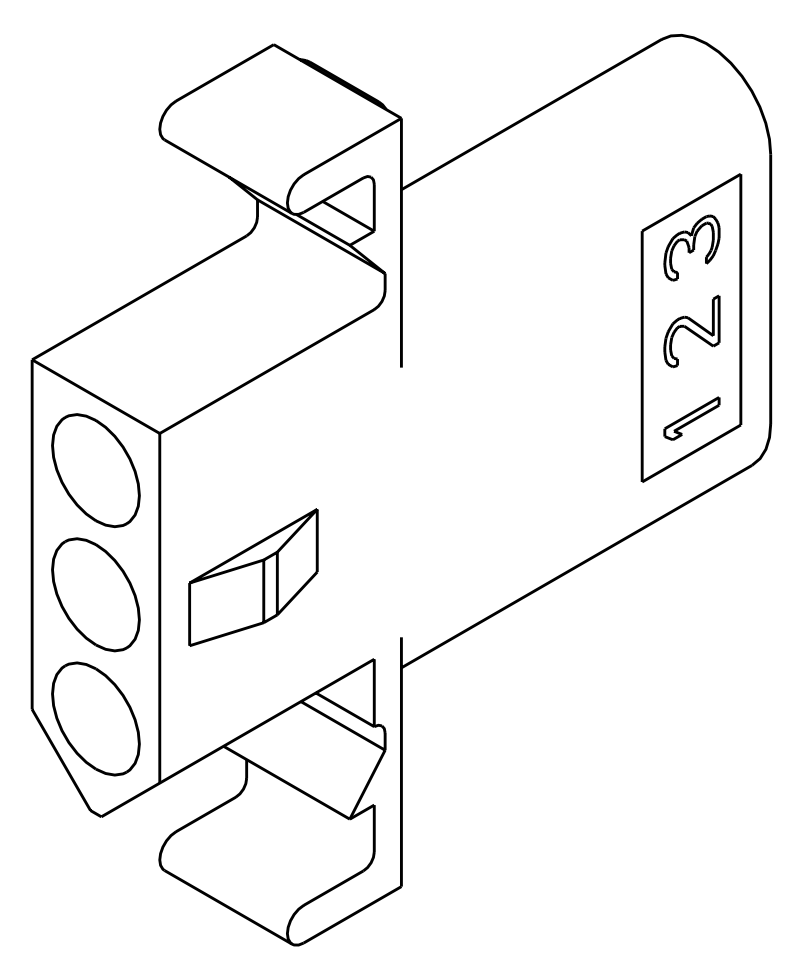
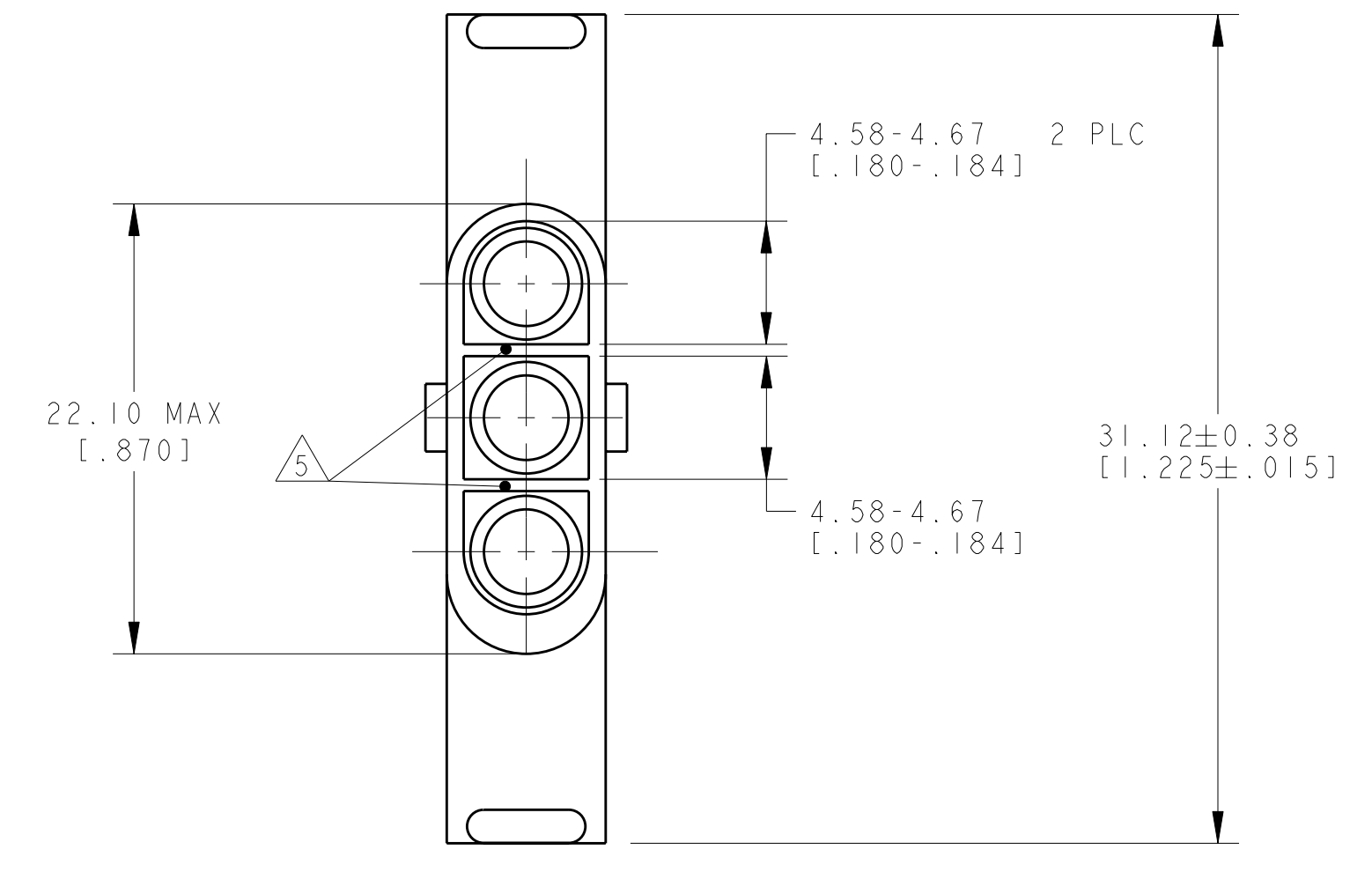
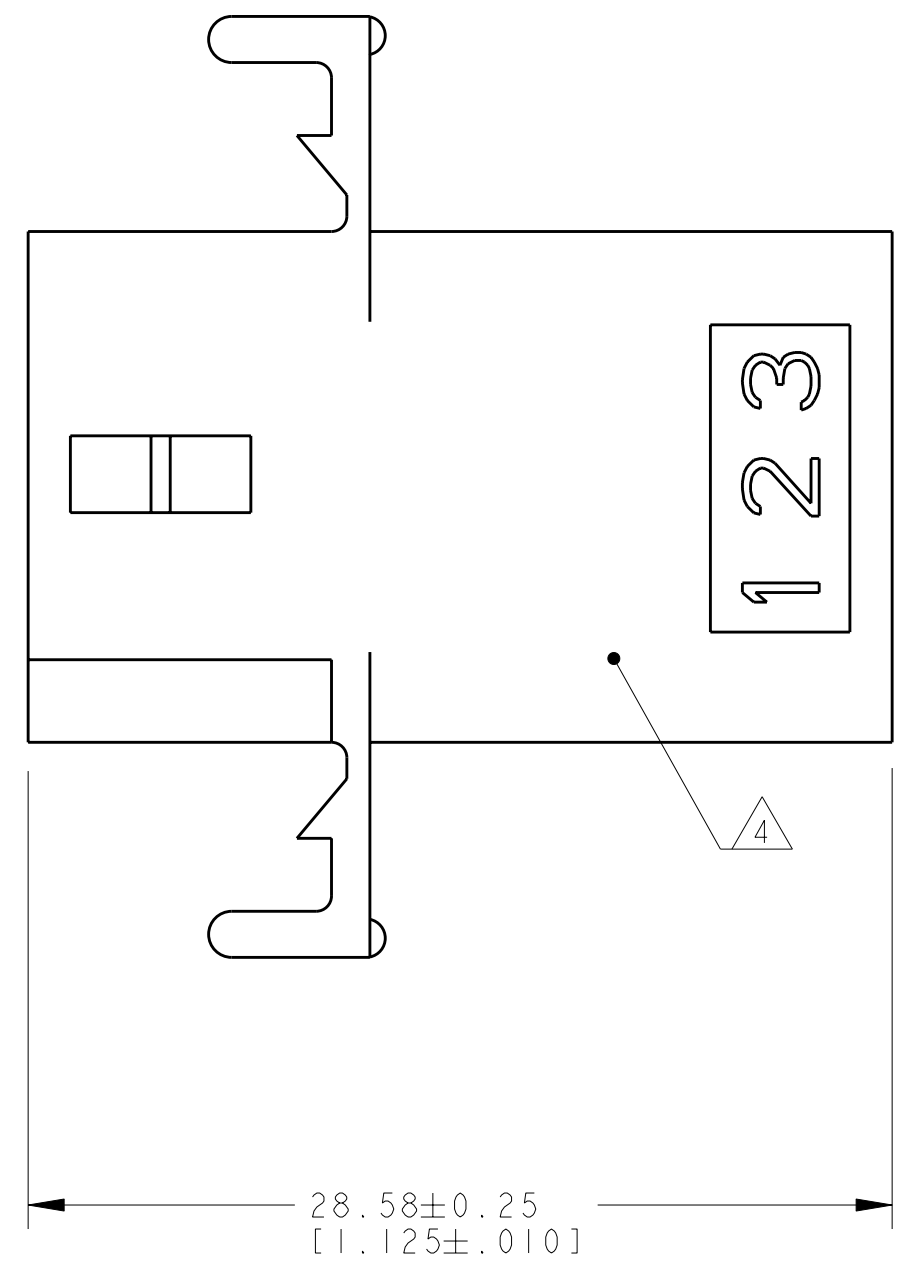
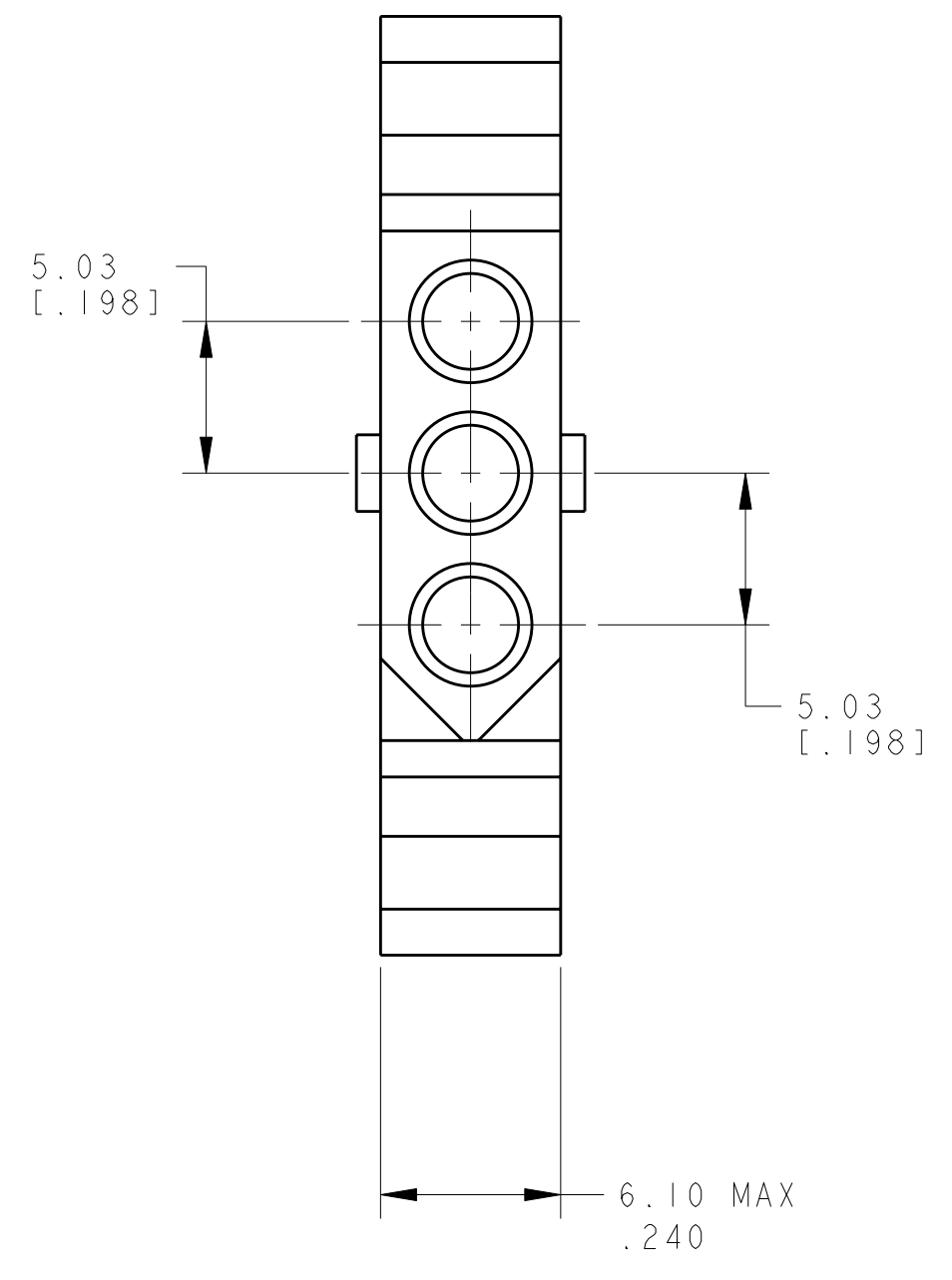


LOC	DIST	REVISIONS			
CM	00	REV	DATE	DWN	APVD
		M	REVISD PER 063B-0540-04	03AUG04	KW DC
		MI	REVISD PER ECO-06-008661	19JUL06	KW DC

- △ MATERIAL: NYLON, UL94V2 (NATURAL).
- 2. RECOMMENDED PANEL THICKNESS 2.29 [.090] MAX.
- 3. MARKING FOR UL AND CSA LOGO SHALL BE LOCATED ON ANY EXTERNAL SURFACE.
- △ AMP LOGO AND CIRCUIT NUMBERS LOCATED IN AREA, EITHER SIDE, SIZE OPTIONAL, FROST BACKGROUND.
- △ WALL THICKNESS TO MEASURE 0.36-0.46 [.014-.018]



RECOMMENDED PANEL CUT OUT

METRIC

770071-1
PART NUMBER

DIMENSIONS: mm [INCHES]		TOLERANCES UNLESS OTHERWISE SPECIFIED: 0 PLC ± 1 PLC ± 2 PLC ±0.13 [1.005] 3 PLC ± 4 PLC ± ANGLES ±40°30'		DWN R. WHITAKER 03AUG2004 CHK D. COLEY 03AUG2004 APVD D. COLEY 03AUG2004		Tyco Electronics Harrisburg, PA 17105-3608	
MATERIAL: △		FINISH:		PRODUCT SPEC:		NAME: RECEPTACLE, 3 CIRCUIT, .093 COMMERCIAL PIN AND SOCKET	
CUSTOMER DRAWING		WEIGHT:		SIZE: CAGE CODE DRAWING NO: A1100779C=770071		RESTRICTED TO:	
SCALE: 4:1		SHEET: 1 OF 1		REV: M		DATE: 03AUG2004	