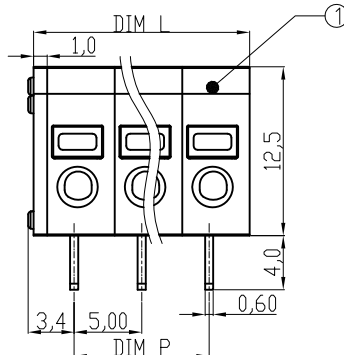
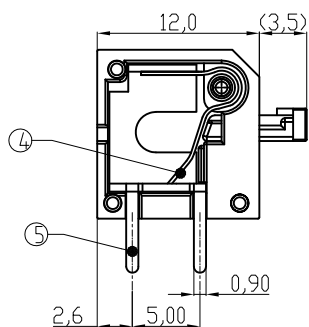
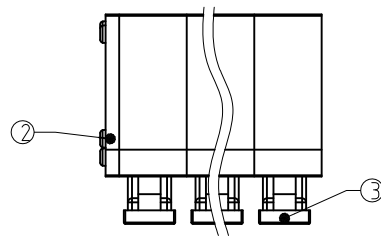


RECOMMENDER PCB LAYOUT



Material

- ① Insulating body: Thermoplastic (UL94V-0), GREY
- ② Insulating cover: Thermoplastic (UL94V-0), GREY
- ③ Insulating lever: Thermoplastic (UL94V-0), GREY
- ④ Contact pin: Brass, Tin plated
- ⑤ Spring clamp: Stainless steel

Electrical cULus

- Voltage rating: 300V
- Current rating: 6A
- Wire range:
- Solid wire(AWG): 16-26
- Stranded wire(AWG): 16-26
- Wire strip length: 6-7mm
- Withstanding Voltage: 1.6KV
- Operating temperature: -40°C to +115°C
- Soldering temperature: 250°C±10°C/5 Sec
- Safety Approval: us

DIMENSION

L	Nx5,0+1,00
P	(N-1)x5,0

N=Number of poles

Poles	Tolerance	
	DIM L	DIM P
1p-4p	±0.15	±0.15
5p-9p	±0.20	±0.20
10p-14p	±0.30	±0.30
15p-19p	±0.40	±0.40
20p-24p	±0.50	±0.50

RoHS compliant

Scale	1:1						Date	Name	Customer-No.
TOLERANCE						Drawn	19.04.2010	Alex	ASSMANN WSW-No. A-TB500-HXxxH
X.	±0.50					Approved	19.04.2010	Hellwig	
X.X	±0.30								
X.XX	±0.10								
DIM	TOL								
X.°	±1°								Drawing-No.
		①	Drawn	19.04.2010	Alex			ASS 4123 CO rev00	
Angle	TOL	Id.	Modification	Date	Name			Replace	Sheet



RoHS compliant