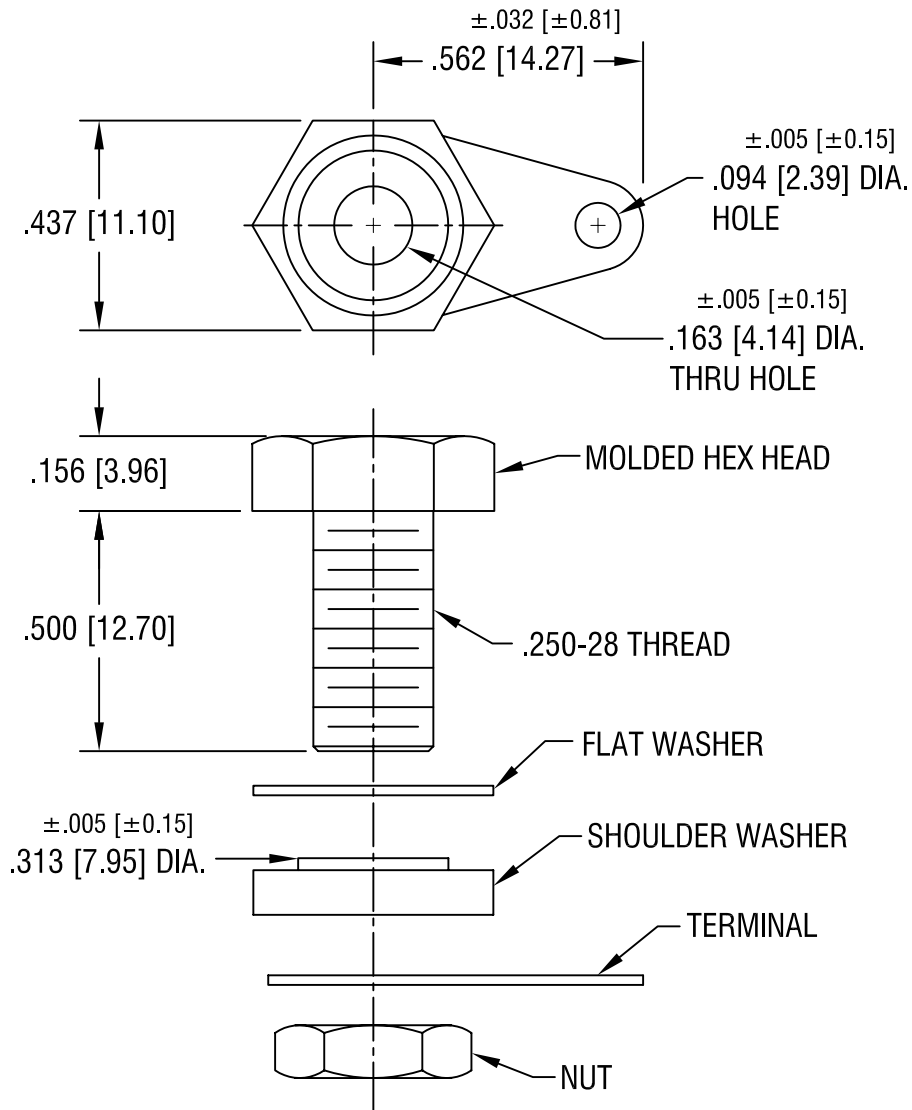


THIS DOCUMENT IS THE PROPERTY OF
KEYSTONE ELECTRONICS CORP. AND
SHALL NOT BE REPRODUCED, DISTRIBUTED
OR USED AS A BASIS FOR MANUFACTURE
WITHOUT PRIOR WRITTEN PERMISSION
FROM KEYSTONE ELECTRONICS CORP.



NOTES:

1. BODY : HEX HEAD - PHENOLIC
SHAFT - BRASS, NICKEL PLATE
FLAT WASHER: PHENOLIC
SHOULDER WASHER: PHENOLIC
TERMINAL: COPPER, TIN PLATE
NUT: BRASS, NICKEL PLATE
2. HARDWARE SUPPLIED UNASSEMBLED

PART NO.	HEAD COLOR
6093	RED
6094	BLACK

KEYSTONE ELECTRONICS CORP.			
ASTORIA, N.Y. 11105-2017			
PART NAME		INSULATED BANANA JACK	
MATERIAL		AS NOTED	
FINISH	AS NOTED	DRN BY	BOONE
		APP'D	LN
		DATE	12.28.82
		SCALE	2.5X
TOLERANCES	INCH [MM]	CODE	DWG NO.
DECIMAL	$\pm .010$ [± 0.25]	C	
ANGULAR	$\pm 1^\circ$		
UNLESS OTHERWISE SPECIFIED			
			6093-6094

9.24.07	CHANGE AS PER ECN 07-058	C
DATE	DESCRIPTION	REV.