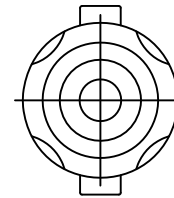
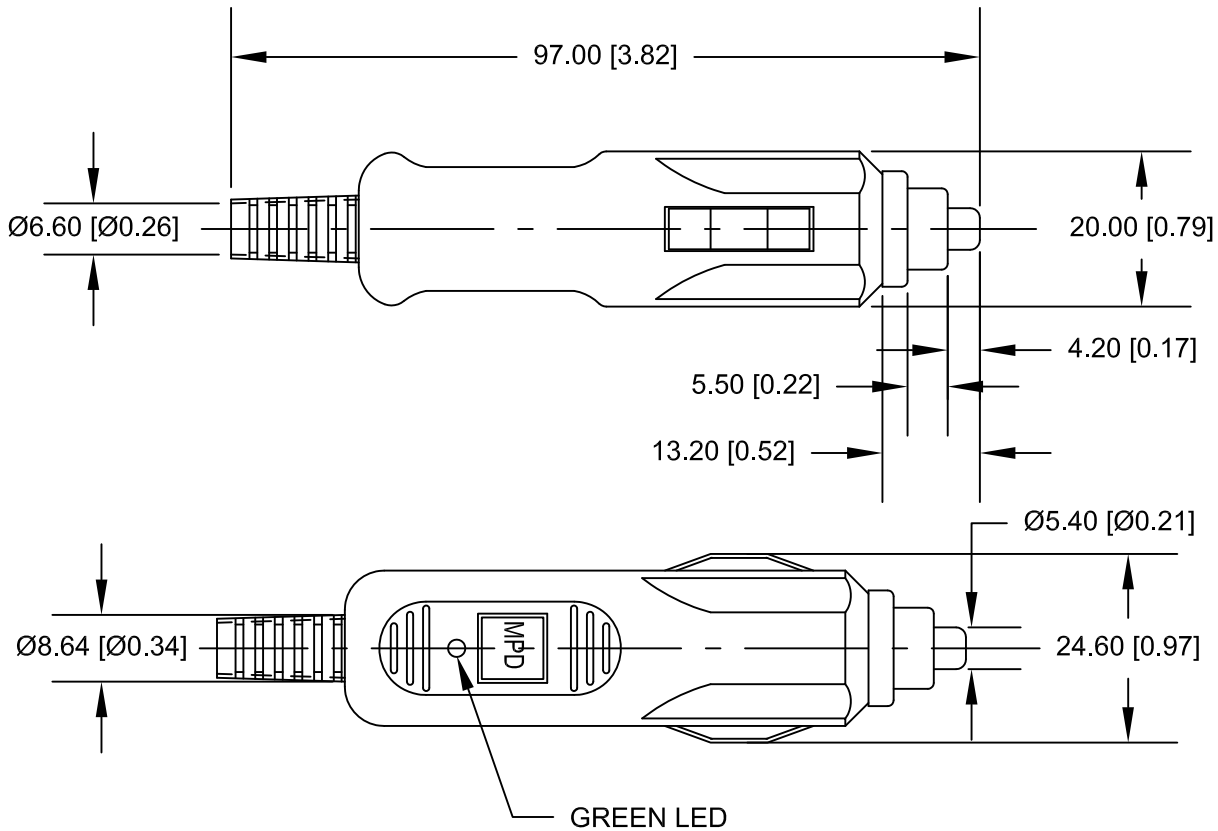



Date	SYM	REVISION RECORD	AUTH	DR.	CK.
11/07/14	A	UPDATED TO ROHS 2 COMPLIANT	T.B.	B.S.	



**SPECIFICATION:**

BODY: HIGH IMPACT ABS, UL94V-HB, FILE NO. E56070(S)  
 COLOR: BLACK  
 CENTER CONTACT: BRASS, NICKEL PLATED  
 POS. TERMINAL: PHOS. BRONZE, NICKEL PLATED  
 WIRE STRAIN RELIEF: PVC  
 LED: GREEN, Ø3mm, 22K Ohm, 1/4 W  
 FUSE: 250V, 3AMP, GLASS 3AG SLOW BLOW,  
 6.35mm X 30mm (1/4" X 1 1/4")  
 RATED AT 18 HOURS, CONTINUOUS DUTY  
 10 AMP MAX WITH CORRECT FUSE  
 ROHS 2 COMPLIANT

Tolerance (Inches)	 <b>Memory Protection Devices, Inc</b> 200 Broad Hollow Road, Farmingdale, New York 11735		
Decimal ±.5 (.020)		Scale	Drawn By B.S. Approved By T.B.
Fractional ±.8 (.030)	Title CIGARETTE PLUG FOR 21 OR 22.2mm DIA. SOCKETS W/ GREEN LED		
Angular ± 3°	Date 11/07/14	Drawing Number APP-001-GRN	