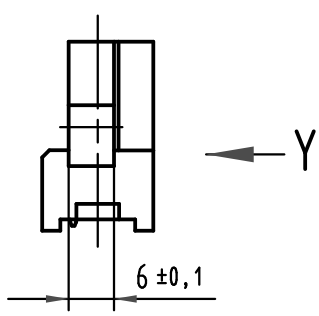
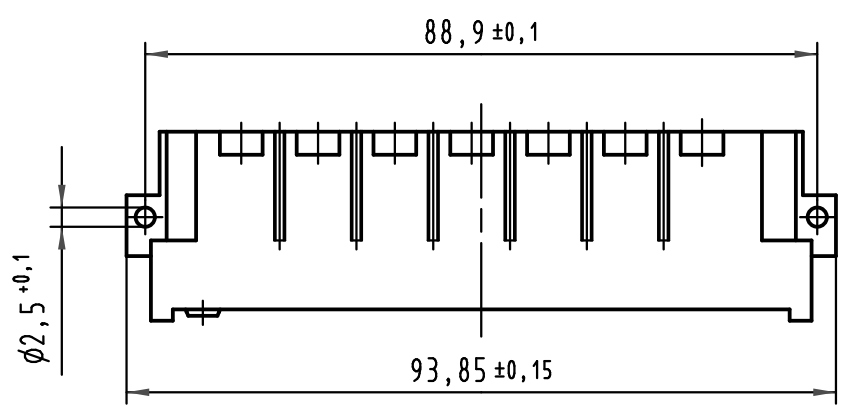
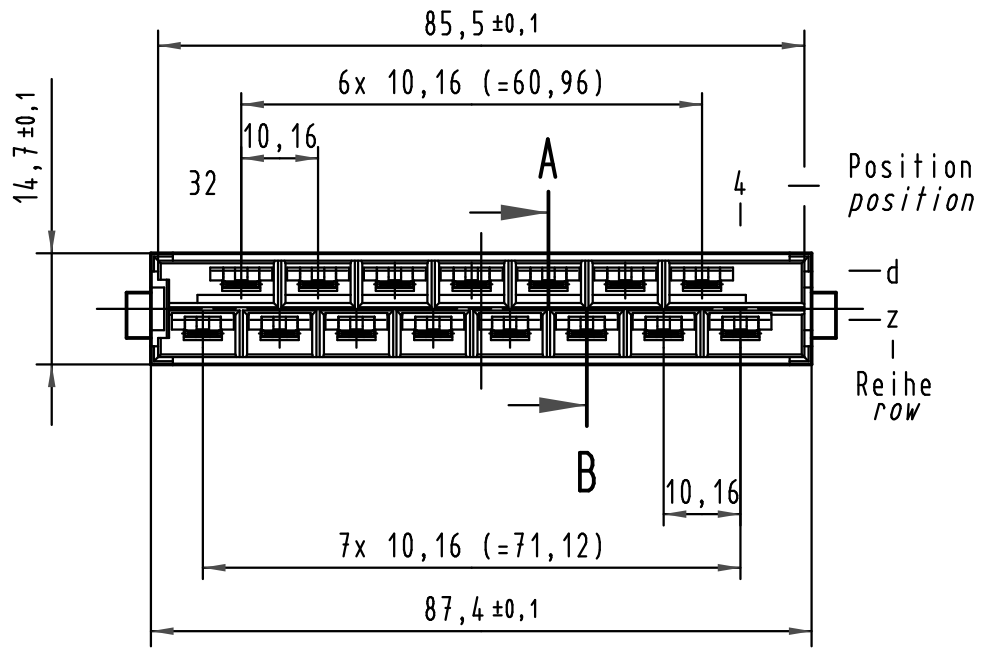
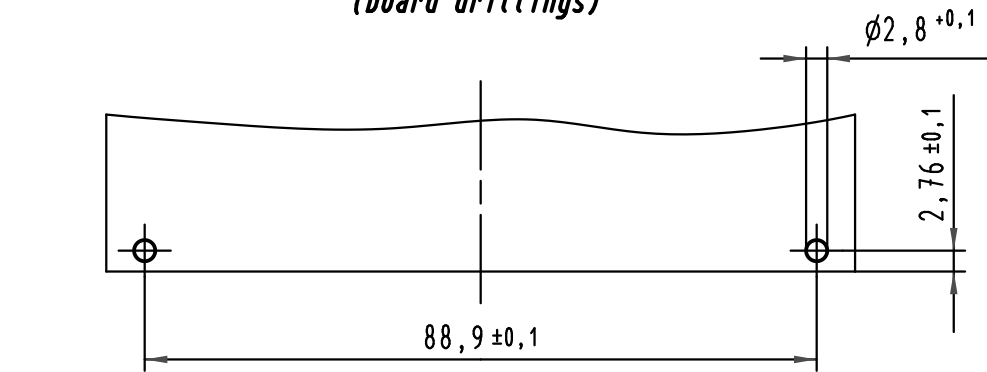
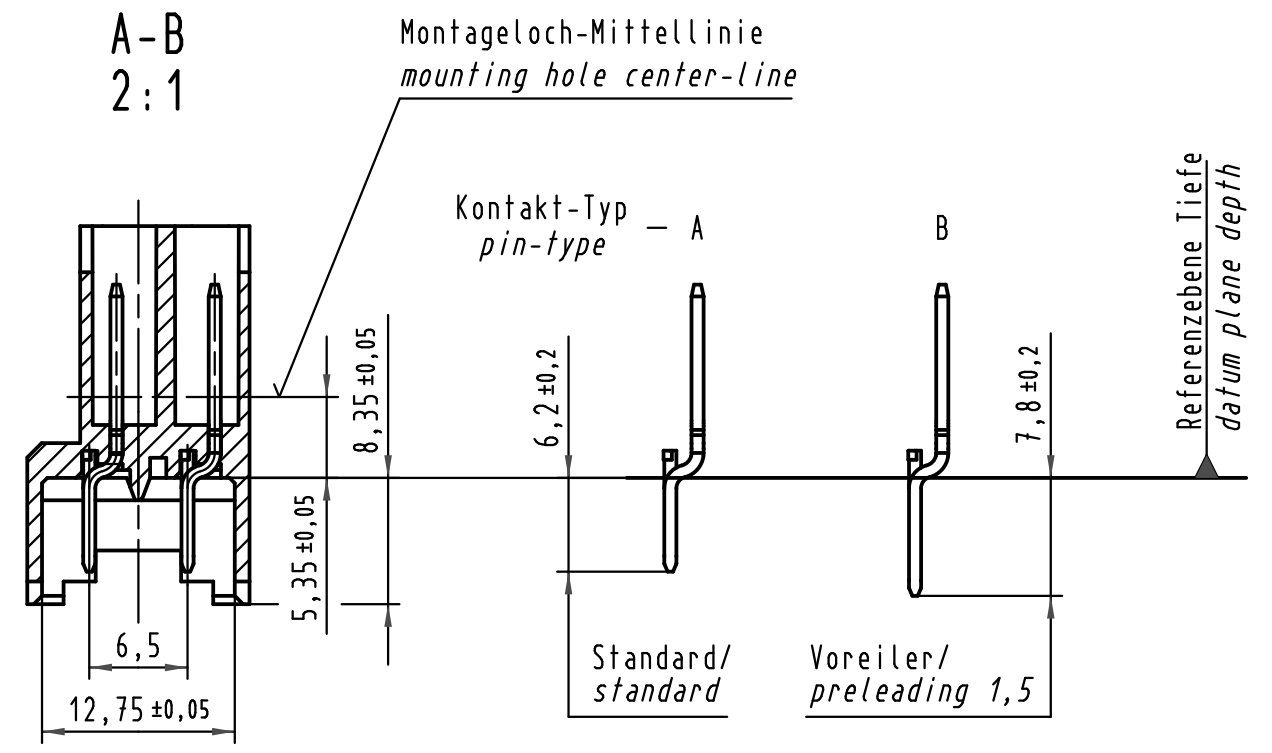


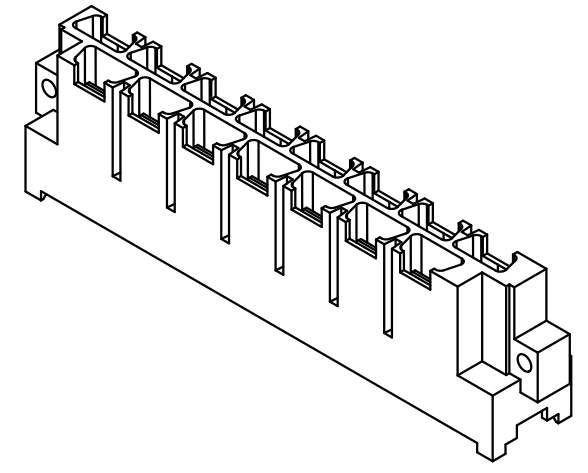
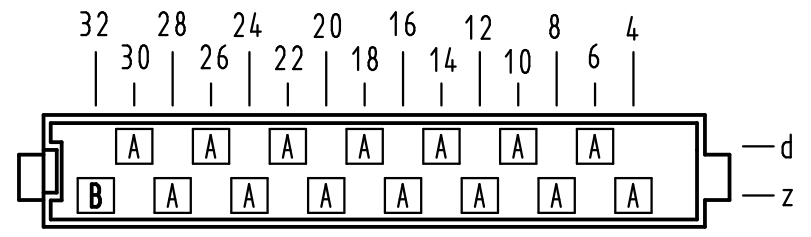
Y
(Lochbild)
(board drillings)



A-B
2:1



X Kontaktbelegung
contact loading



Alle Rechte vorbehalten/ All rights reserved

| | | | | |
|---|-----------------------------------|---------------|---|--|
| All Dimensions in mm Original Size DIN A 3 | Techn. Character. | | Nicht tolerierte Maß/Free size tolerances | |
| | IEC 60603-2 | | IEC 60603-2 | |
| | Dat. | Name | Maßstab/Scale 1:1 2:1 | Bauform/type H 15 Messerleiste Faston male connector faston |
| | Detail. | 25.08.04 Leh. | | |
| | Insp. | 25.08.04 kfoe | | |
| | Stand. | | | |
| 32053 | HARTING Electronics GmbH & Co. KG | | TB 09 06 015 2931 | Blatt/page |
| Mod. | Dat. | Name | | |
| | | | | |