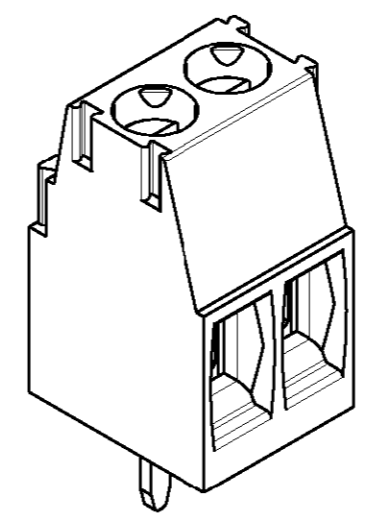
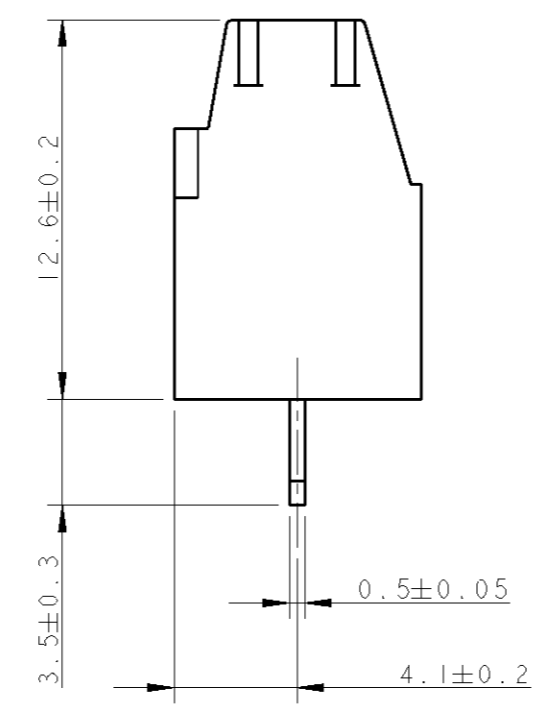
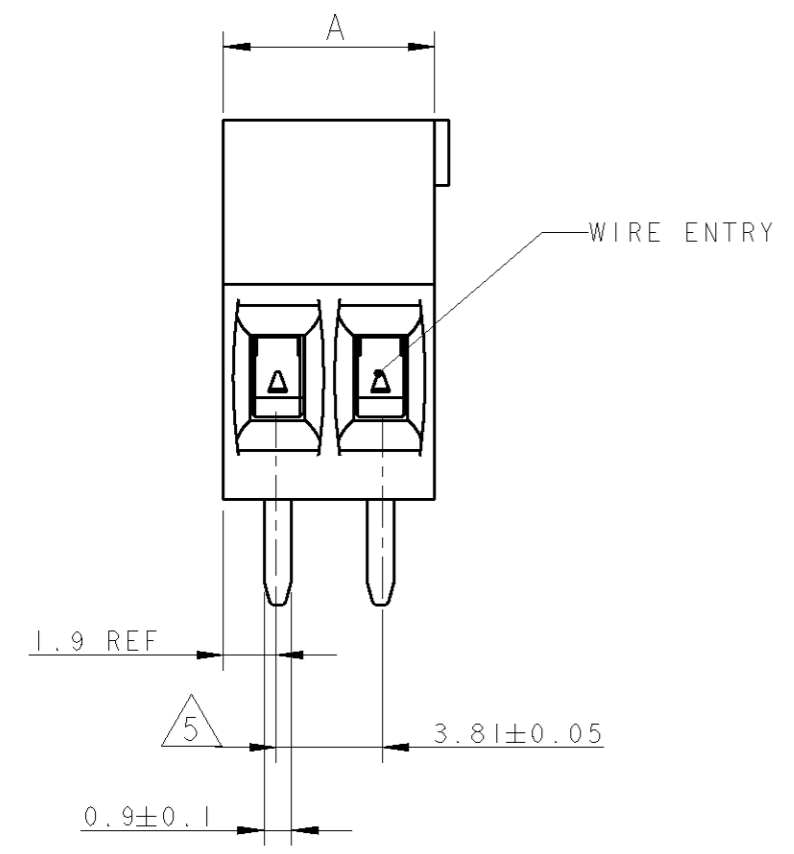
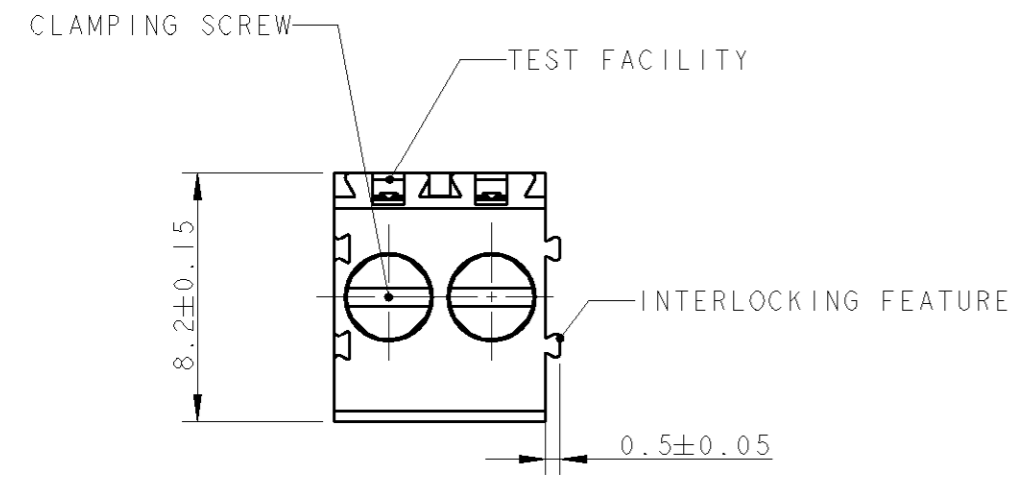


THIS DRAWING IS UNPUBLISHED. RELEASED FOR PUBLICATION 20
 © COPYRIGHT BY ALL RIGHTS RESERVED.

LOC	DIST	REVISIONS				
P	LTR	DESCRIPTION	DATE	DWN	APVD	
FT	0	B1	REVISED PER ECO-11-005294	29APR11	RK	HMR



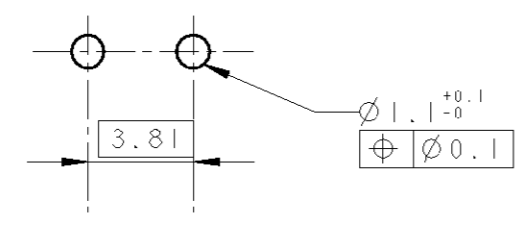
P/N 284392-2 AS SHOWN



- 1. MATERIALS AND FINISH
 HOUSING : PA 6.6, UL 94-V0, COLOR GREEN.
 CLAMP : BRASS, NICKEL PLATED
 TERMINAL : BRASS, TIN PLATED
 CLAMPING SCREW : M3, BRASS, NICKEL PLATED
- 2. SUITABLE FOR 1.6-2.4 mm. PCB BOARD THICKNESS.
- 3. END-TO-END STACKABLE W/INTERLOCK WITHOUT LOSS OF CENTERLINE SPACING
- 4. WIRE SIZE RANGE
 14 - 30 AWG
- 5. NOT CUMULATIVE TOLERANCE

DIM "A"	NO. OF POS	PART NUMBER
95.25	25	2-284392-5
91.44	24	2-284392-4
87.63	23	2-284392-3
83.82	22	2-284392-2
80.01	21	2-284392-1
76.20	20	2-284392-0
72.39	19	1-284392-9
68.58	18	1-284392-8
64.77	17	1-284392-7
60.96	16	1-284392-6
57.15	15	1-284392-5
53.34	14	1-284392-4
49.53	13	1-284392-3
45.72	12	1-284392-2
41.91	11	1-284392-1
38.10	10	1-284392-0
34.29	9	284392-9
30.48	8	284392-8
26.67	7	284392-7
22.86	6	284392-6
19.05	5	284392-5
15.24	4	284392-4
11.43	3	284392-3
7.62	2	284392-2

RECOMMENDED PCB BOARD LAYOUT



DIMENSIONS: mm		TOLERANCES UNLESS OTHERWISE SPECIFIED: 0 PLC ±.3 1 PLC ±.3 2 PLC ±.25 3 PLC ±. 4 PLC ±. ANGLES ±2		DWN 01FEB2002 E. ZANOLINI CHR 01FEB2002 E. ZANOLINI APVD 01FEB2002 D. BIEVENOUR PRODUCT SPEC 108-20166 APPLICATION SPEC 114-20079 WEIGHT -		TE Connectivity	
MATERIAL 1		FINISH 1		CUSTOMER DRAWING		NAME TERMINAL BLOCK, PCB MOUNT, STRAIGHT SIDE ENTRY WIRE, STACKING W/ INTERLOCK, 3.81mm PITCH	
				SIZE A3	CAGE CODE 00779	DRAWING NO C-284392	RESTRICTED TO -
				SCALE 4:1	SHEET 1 OF 1	REV B1	