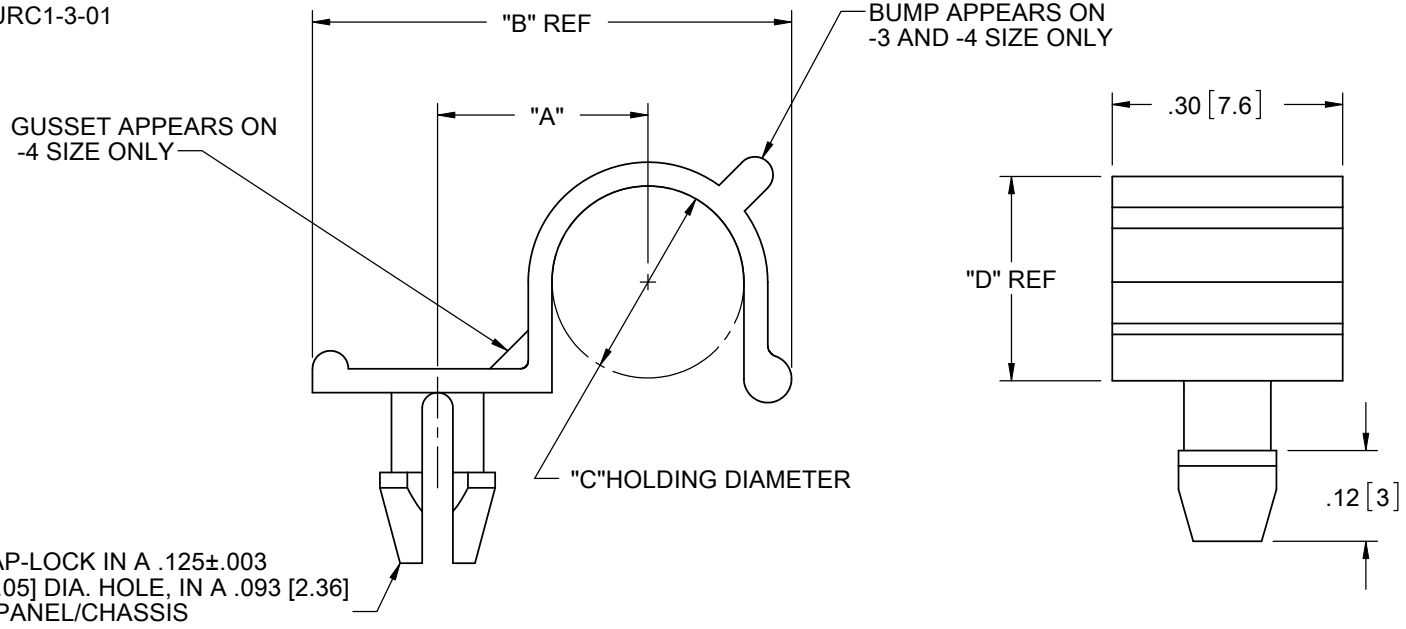


PART NO.	"A"	"B" REF	"C" HOLDING DIAMETER	"D" REF
HURC1-2-01	.20 [5.1]	.49 [12.4]	1/8 [3.2]	.17 [4.3]
HURC1-3-01	.24 [6.1]	.56 [14.2]	3/16 [4.8]	.24 [6.1]
HURC1-4-01	.27 [6.9]	.62 [15.7]	1/4 [6.4]	.30 [7.6]



**NOTES:**

- MATERIAL: NYLON 6/6 UL 94 V-2 (RMS-01).  
 NYLON 6/6 UL 94 V-0 (RMS-19) AVAILABLE BY SPECIAL ORDER ONLY.  
 NYLON 4/6 UL 94 V-2 (RMS-109) AVAILABLE BY SPECIAL ORDER ONLY.  
 TO ORDER REPLACE "-01" WITH "-109"
- COLOR: NATURAL.

TITLE: "HALF-U" ROUTING CLIP					DWG IN IN [MM]		
CREATED USING SOLIDWORKS			FILE #: HURC1	DWN: SK	APP: S.J.	FINAL	
TOLERANCES UNLESS NOTED .XX=±.010 .XXX=±.005 FRAC.=±1/64 ANG.=±1°			SHEET: 1 OF 1	SHEET SIZE: A	DT: 04/29/08	CHKD: S.K.	
RE: RICHCO, INC.			RICHCO, INC. ENG@RICHCO-INC.COM (773) 539-4060		PART # <b>SEE TABLE</b>	PRINT TYPE <b>CA</b>	
D SEE CO 200345 FOR CHANGES S.K. 03/23/09	C SEE CO 200201 FOR CHANGES S.K. 06/10/08	B SEE CO 200169 FOR CHANGES S.K. 04/29/08	A CHANGES FILE NO. S.M. 05/31/01				REV. DESCRIPTION ENGR. DATE