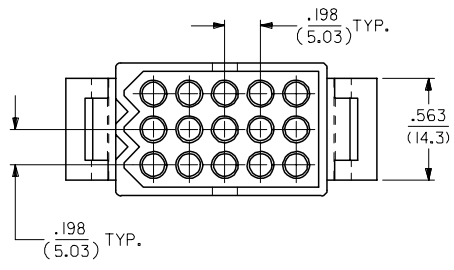
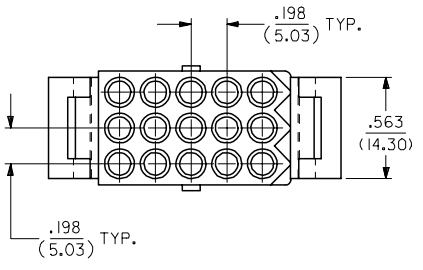
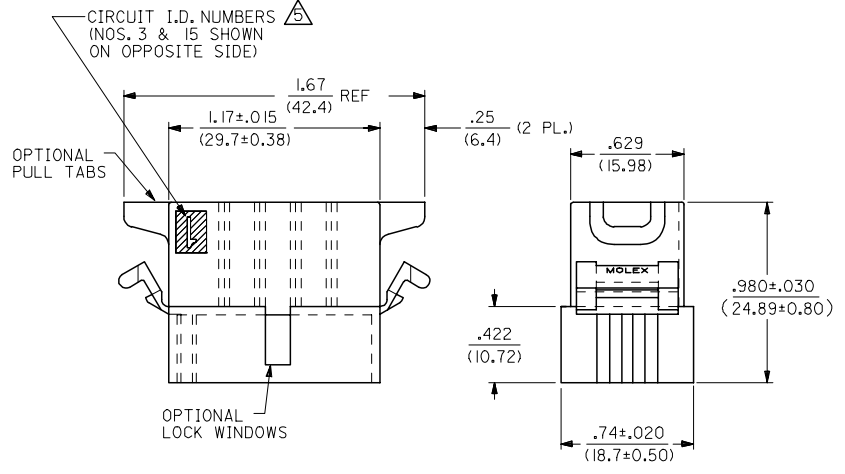
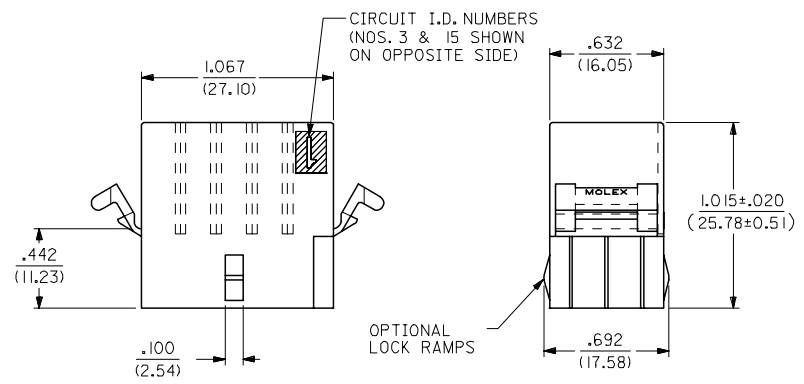
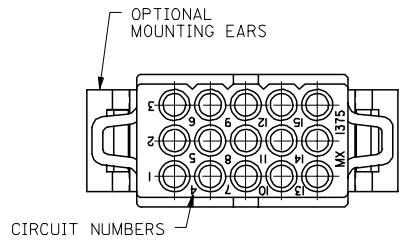
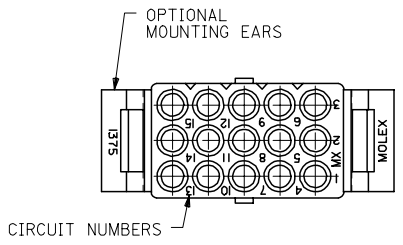


13 12 11 10 9 8 7 6 5 4 3 2 1

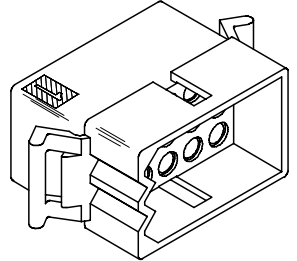
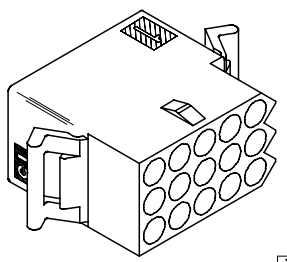
J
I
H
G
F
E
D
C
B
A

J
I
H
G
F
E
D
C
B
A



RECEPTACLE

PLUG



UPDATE TITLE BLOCK EC NO: UCP2007-2415 DRWNAELHAG 2007/04/17 CHKD:LSHMDT 2007/05/03 APPR:FSMTH 2007/05/03	QUALITY SYMBOLS ▽=0 ▽=0	GENERAL TOLERANCES (UNLESS SPECIFIED)		DIMENSION STYLE		SCALE	DESIGN UNITS	THIRD ANGLE PROJECTION		
				IN/MM		2:1	INCH			
		4 PLACES ±---	±---	DRAWN BY	DATE	.093/(2.36) HOUSINGS PLUG & RECEPTACLE 15 CIRCUIT, .198/(5.03)CL				
		3 PLACES ±---	±.010	KBW	01/14/1989					
2 PLACES ±0.25	±.014	CHECKED BY	DATE	MOLEX INCORPORATED						
1 PLACE ±0.35	±---	RW	01/14/1989							
ANGULAR ±1/2°		APPROVED BY	DATE	MATERIAL NO.		DOCUMENT NO.		SHEET NO.		
		RAS	01/14/1989					1 OF 2		
DRAFT WHERE APPLICABLE MUST REMAIN WITHIN DIMENSIONS		SEE CHART		SD-1375-*						
		SIZE C		THIS DRAWING CONTAINS INFORMATION THAT IS PROPRIETARY TO MOLEX INCORPORATED AND SHOULD NOT BE USED WITHOUT WRITTEN PERMISSION						

12 11 10 9 8 7 6 5 4 3 2 1

