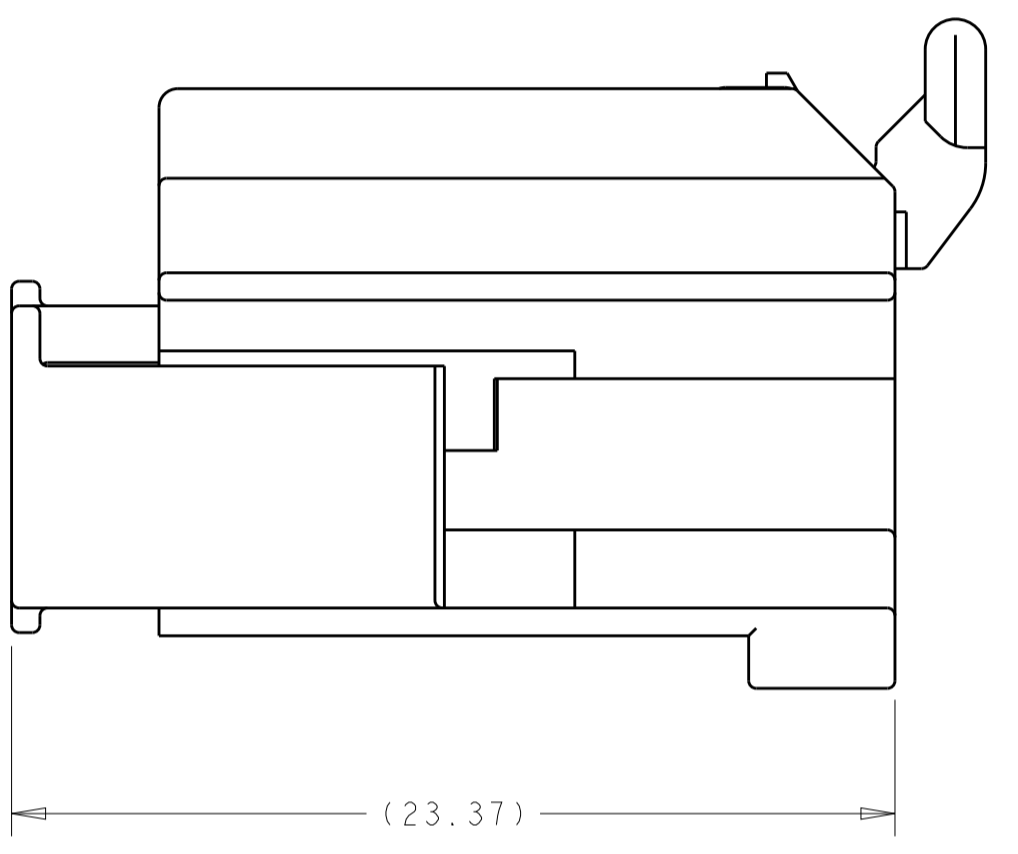
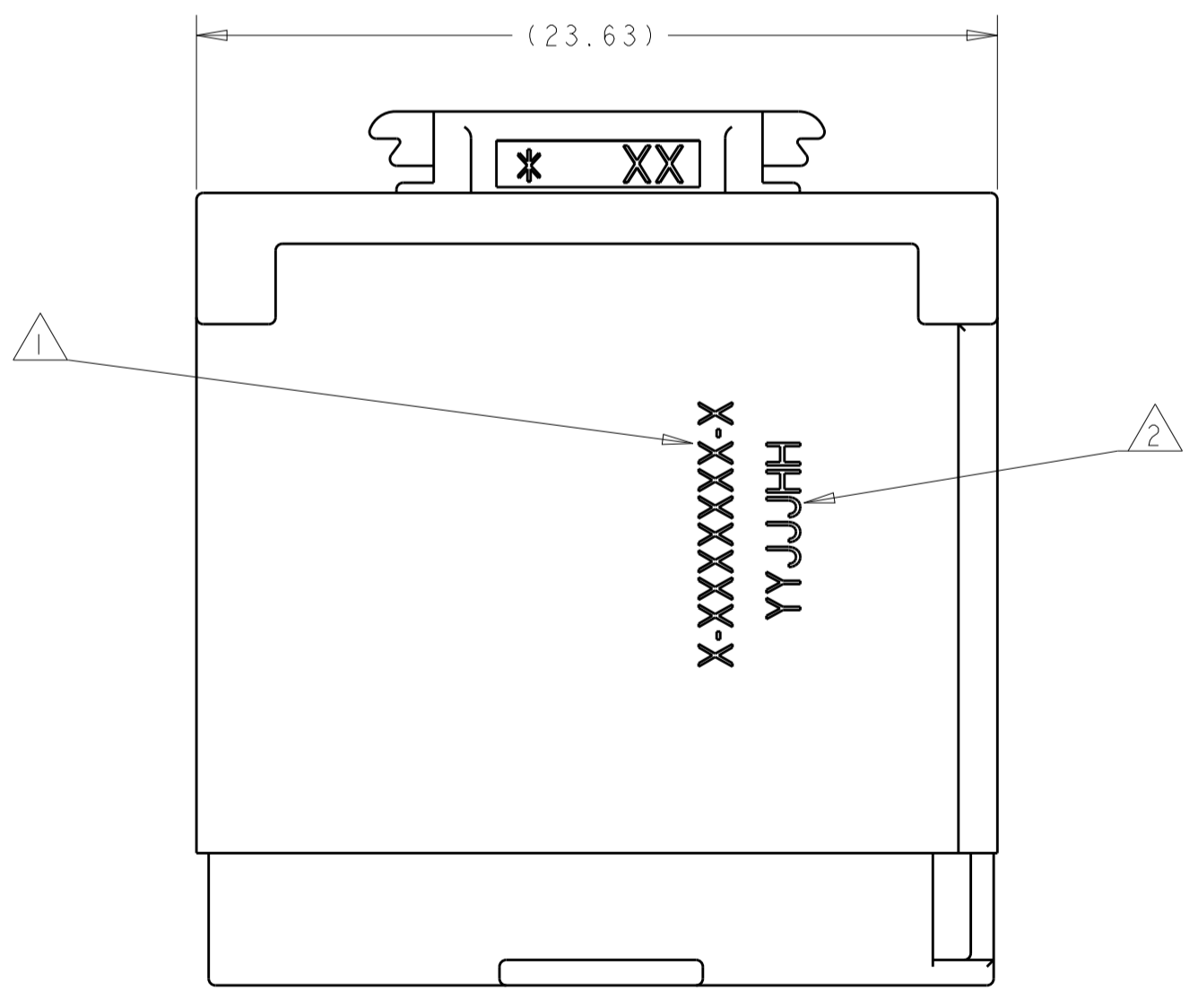
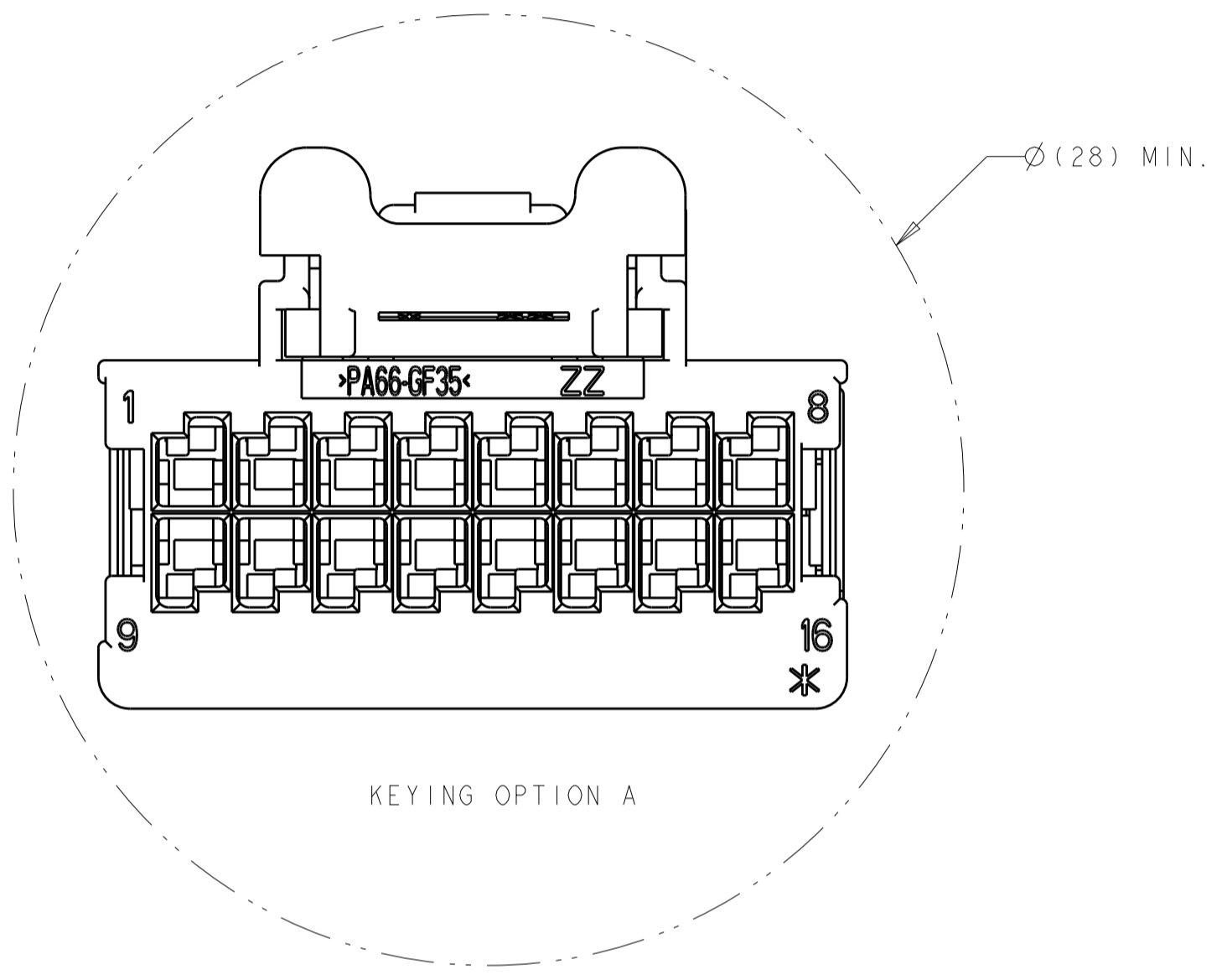
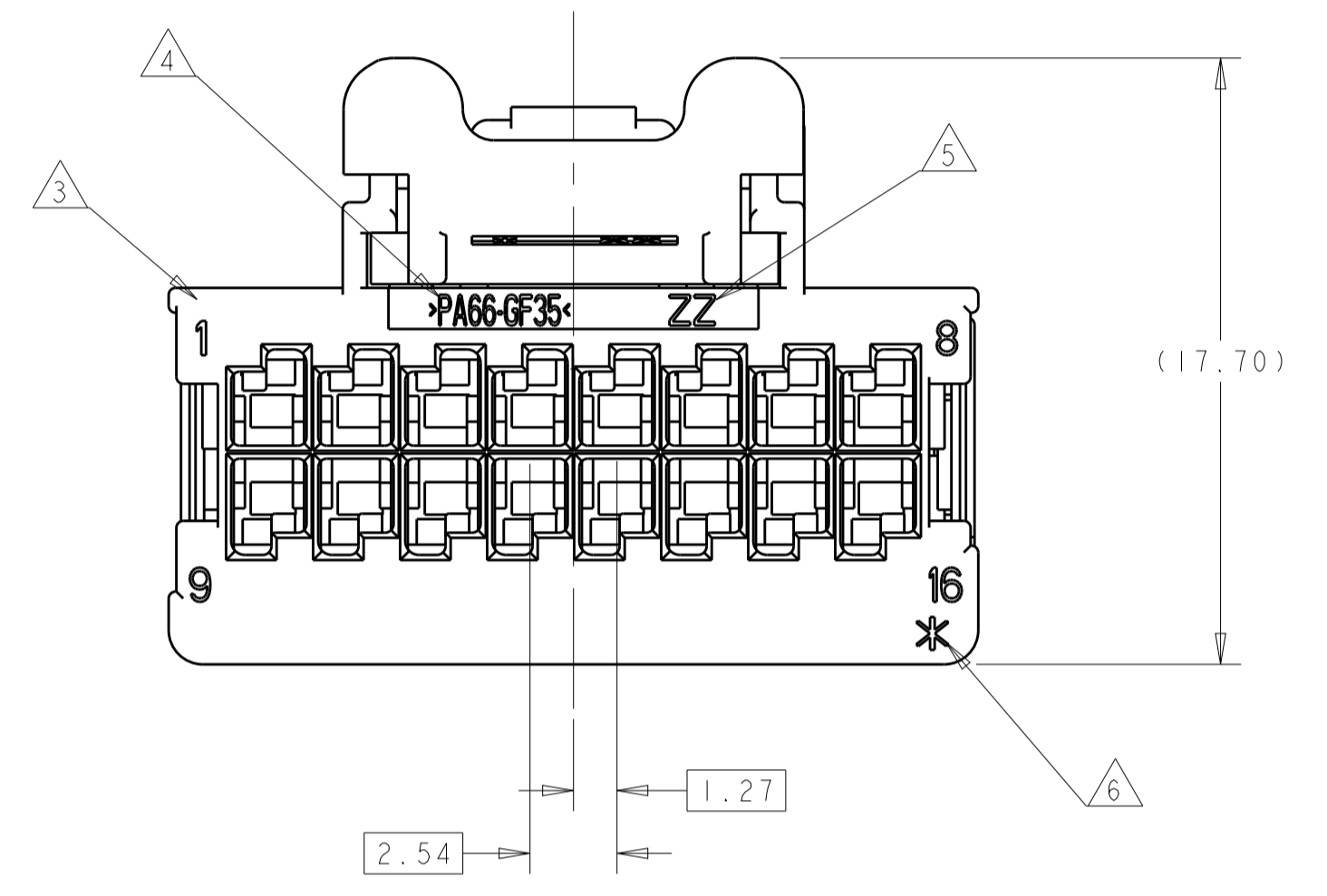


REVISIONS				
P.	LTN.	DESCRIPTION	DATE	OWN. APVD.
C		REVISED PER ECR-07-016022	30JUL2007	DLD DCS
C1		REVISED PER ECO-13-019739	06JAN2014	DD RL

- 1 TE CONNECTIVITY ASSY PART-NO. ACCORDING TO TABLE, LASER PRINTED, WHITE INK PERMITTED AS ALTERNATIVE.
- 2 DATE CODE, FORMAT, YY=YEAR JJJ=DAY HH=HOUR, LASER PRINTED, WHITE INK PERMITTED AS ALTERNATIVE. SINGLE DIGIT HOUR NOTE ACCEPTABLE.
- 3 TERMINAL CAVITY ID.
- 4 MATERIAL ID.
- 5 MOLD CAVITY ID.
- 6 TE LOGO.
- 7 KEY "A" NOT RECOMMENDED FOR NEW APPLICATIONS.
- 8. PACKING: PARTS BULK PACKED IN CARDBOARD BOX.



ASSEMBLY WITH CPA



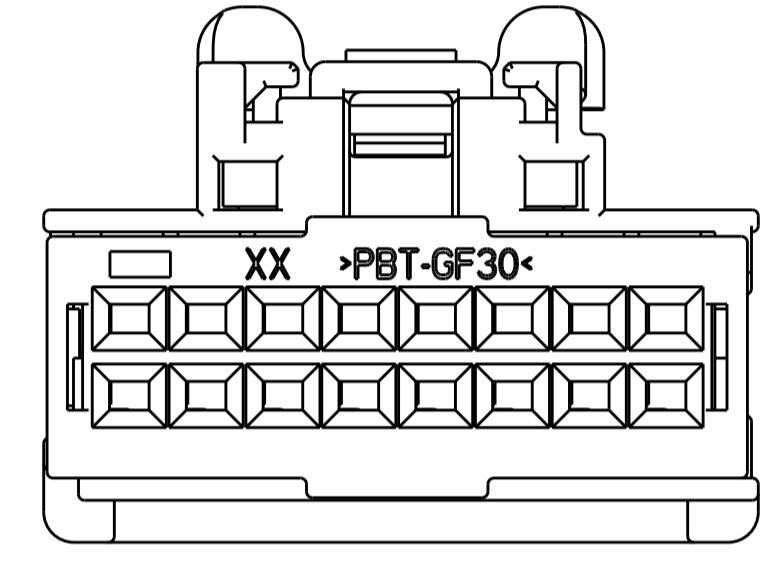
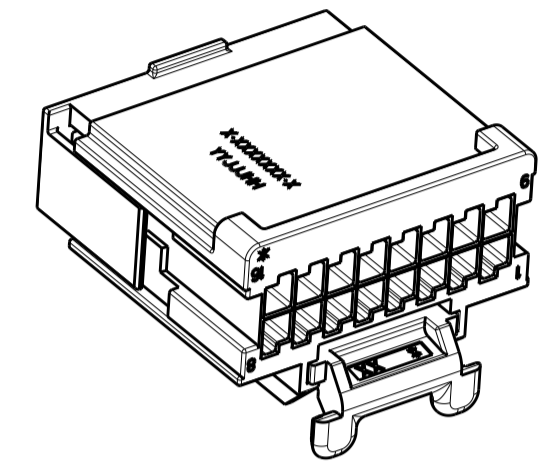
				<----- ASSEMBLY PN			
1456989-7	1456989-6	1456989-5	1456989-4	1456989-3	1456989-2	1456989-1	
-	-	-	-	-	I	-	CPA PBT-GF20 RED 3
I	I	I	I	I	I	I	SPACER PBT+PC-GF30 RED 2
I	-	-	-	-	-	-	HOUSING; KEY F PA66-GF35 BLACK 1
-	I	-	-	-	-	-	HOUSING; KEY E PA66-GF35 BLACK 1
-	-	I	-	-	-	-	HOUSING; KEY D PA66-GF35 BLACK 1
-	-	-	I	-	-	-	HOUSING; KEY C PA66-GF35 BLACK 1
-	-	-	-	I	-	-	HOUSING; KEY A PA66-GF35 LT. GREY 1
-	-	-	-	-	I	I	HOUSING; KEY A PA66-GF35 BLACK 1
				DESCRIPTION	MATERIAL	COLOR	ITEM NO
QTY REQ'D PER ASSY				REVISION OF EACH ASSY NO (WHEN BLANK, USE DWG REVISION)			
				WEIGHT OF EACH ASSY NO (g)			

**PARTS LIST**

THIS DRAWING IS A CONTROLLED DOCUMENT.		DWN: R. VESTAL 30OCT2006	<b>STE</b> TE Connectivity
DIMENSIONS: mm		CHK: D. STRAUSSER 30OCT2006	
TOLERANCES UNLESS OTHERWISE SPECIFIED:		APVD: D. STRAUSSER 30OCT2006	2X8 POSITION, GET FEMALE CONNECTOR UNSEALED ASSEMBLY
0 PLC ±		PRODUCT SPEC	
1 PLC ±		APPLICATION SPEC	SIZE: CAGE CODE: DRAWING NO: RESTRICTED TO
2 PLC ±		WEIGHT	A100779C=1456989
3 PLC ±		CUSTOMER DRAWING	SCALE: 5:1 SHEET 1 OF 2 REV: C1
4 PLC ±			
ANGLES			
FINISH			
MATERIAL: SEE TABLE			

REVISIONS				
P.	LTN	DESCRIPTION	DATE	APVD
-	-	SEE SHEET 1	-	-

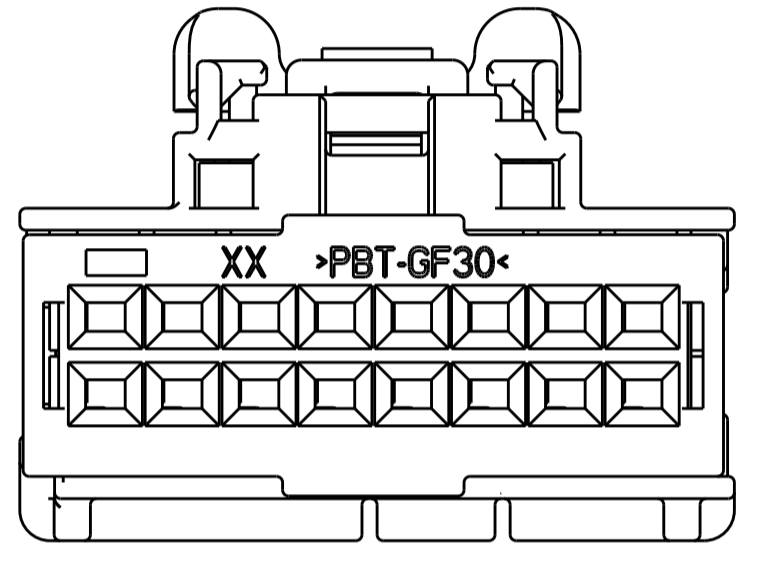
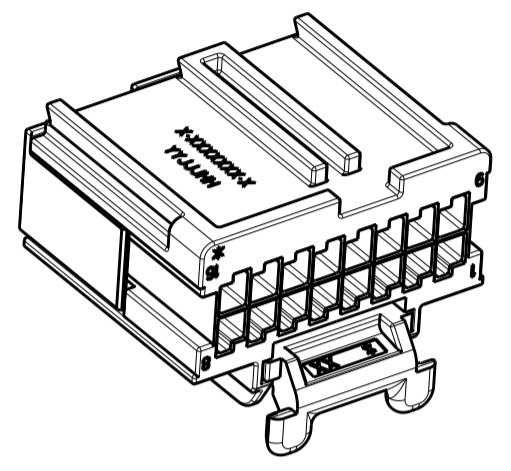
KEYING OPTION A



4:1

(SHOWN WITH CPA)

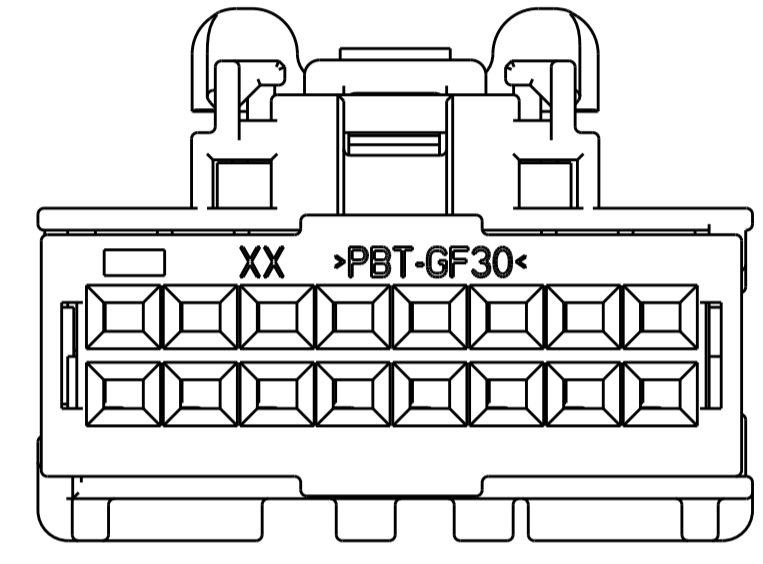
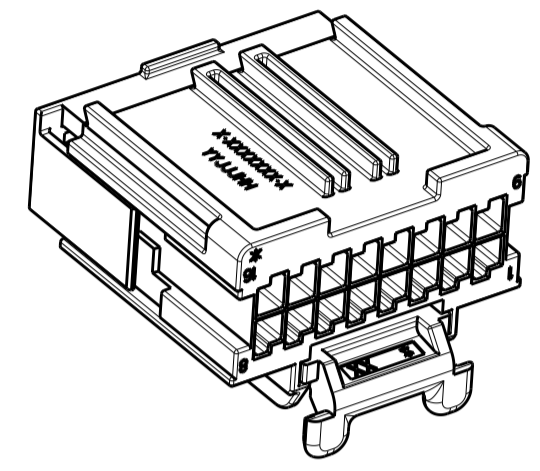
KEYING OPTION C



4:1

(SHOWN WITH CPA)

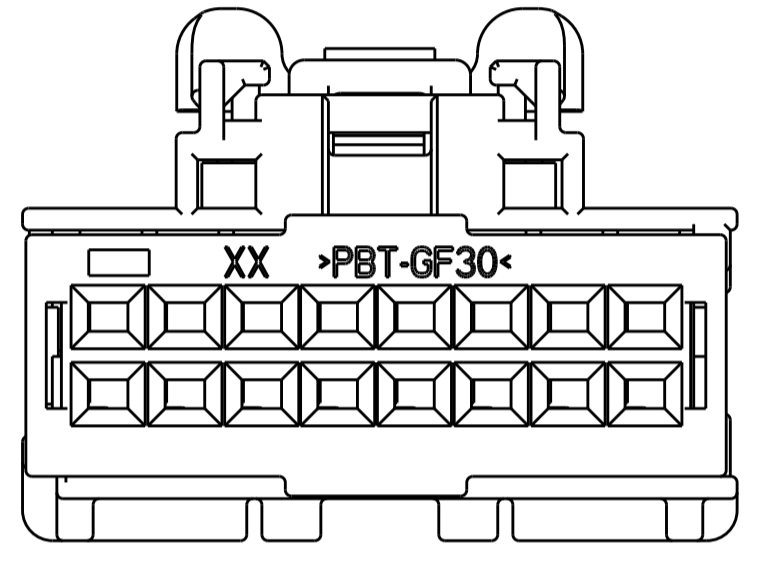
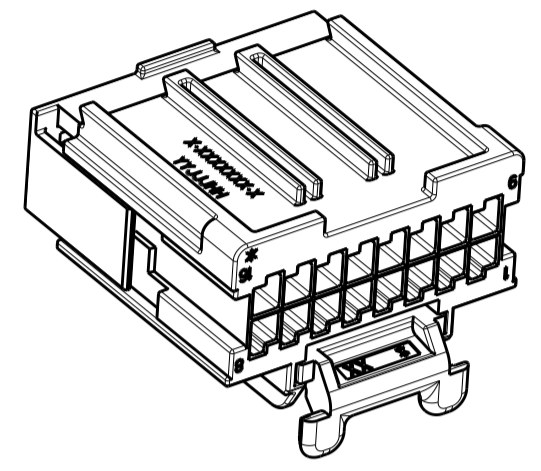
KEYING OPTION D



4:1

(SHOWN WITH CPA)

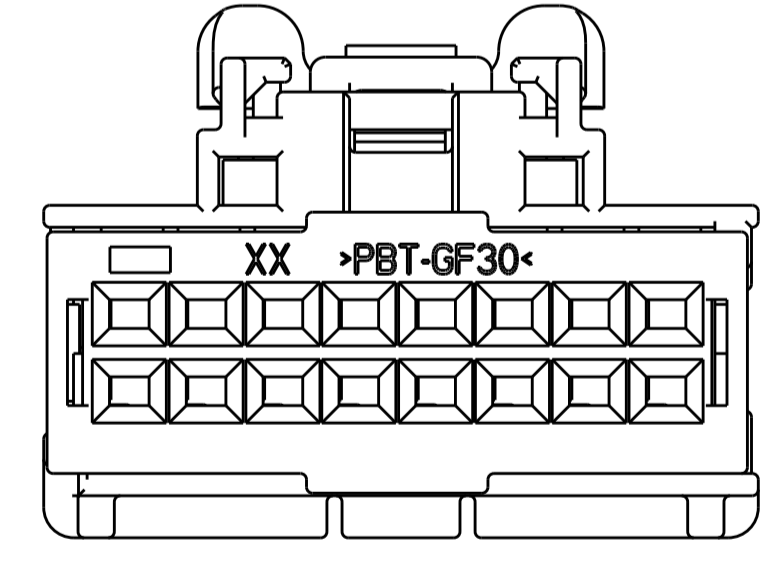
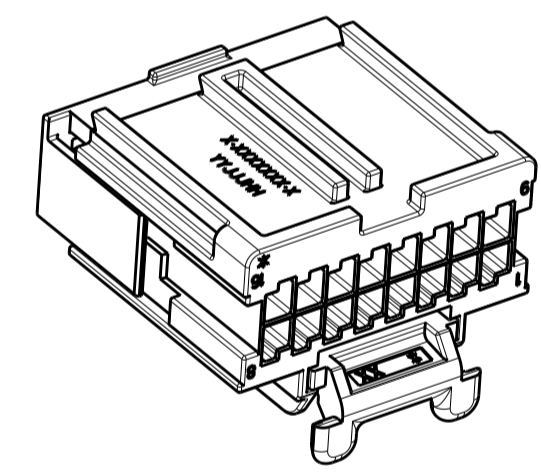
KEYING OPTION E



4:1

(SHOWN WITH CPA)

KEYING OPTION F



4:1

(SHOWN WITH CPA)

THIS DRAWING IS A CONTROLLED DOCUMENT.		DWN R. VESTAL 30OCT2006 CHK D. STRAUSSER 30OCT2006 APVD D. STRAUSSER 30OCT2006		NAME 2X8 POSITION, GET FEMALE CONNECTOR UNSEALED ASSEMBLY
DIMENSIONS: mm 	TOLERANCES UNLESS OTHERWISE SPECIFIED: 0 PLC ± 1 PLC ± 2 PLC ± 3 PLC ± 4 PLC ± ANGLES ± FINISH	PRODUCT SPEC APPLICATION SPEC 408-8599 WEIGHT Customer Drawing		