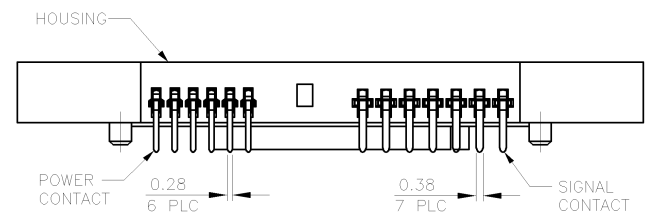
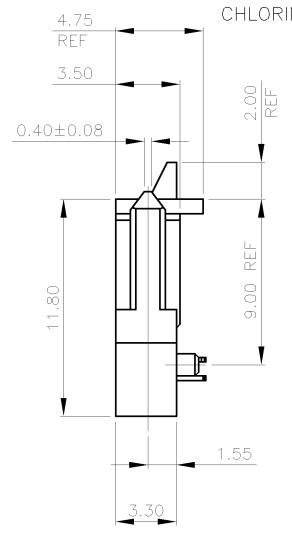
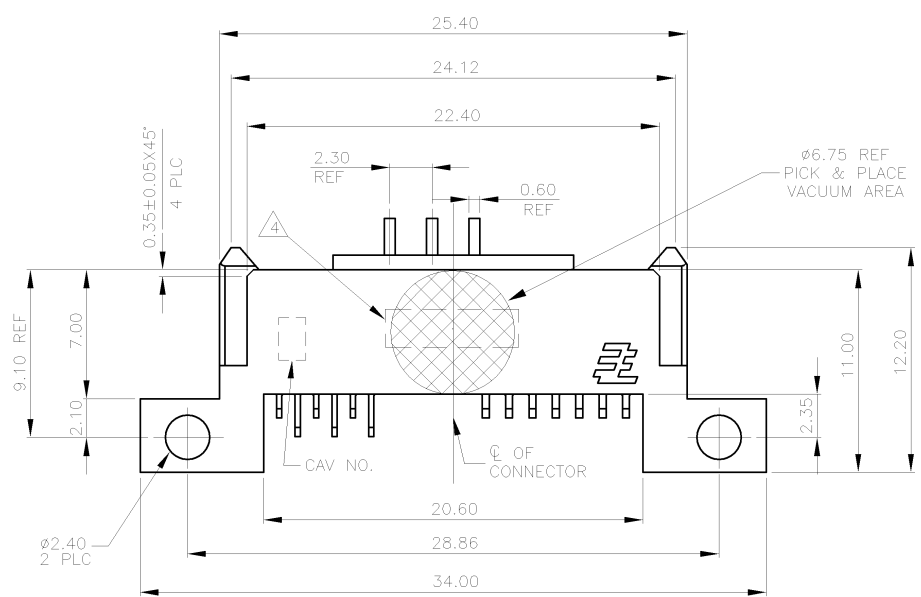
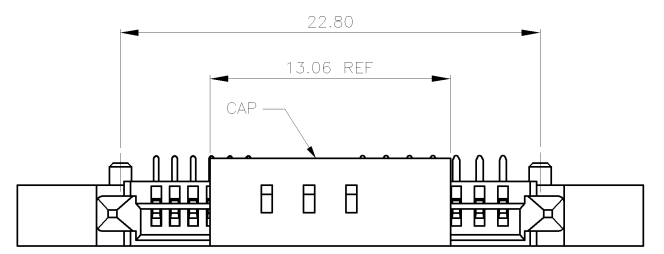


THIS DRAWING IS UNPUBLISHED. RELEASED FOR PUBLICATION AUG ,2006.
 © COPYRIGHT - BY TYCO ELECTRONICS CORPORATION. ALL RIGHTS RESERVED.

LOC	DIST	REVISIONS					
DW	-	P	LTR	DESCRIPTION	DATE	DWN	APVD
NOTES:		B		REVISED (ECR-12-003204)	21FEB12	JL	WK

- MATERIAL:
 HOUSING: HIGH TEMP THERMOPLASTIC(LCP) WITH 0% GF, UL94V-0, BLACK
 CONTACT: PHOSPHOR BRONZE
 CAP: HIGH TEMP THERMOPLASTIC(LCP) WITH 0% GF, UL94V-0, BLACK
- FINISH:
 CONTACT MATING AREA: GOLD PLATING(SEE TABLE)
 2.54um[100u"] MIN. MATTE-TIN PLATING ON SOLDERTAIL:
 1.27um[50u"] MIN. NICKEL UNDERPLATE PLATING ALL OVER.
- REFLOW SOLDER CAPABLE TO 260°C PER TEST SPEC.
 109-201, CONDITION B.
- DATE CODE LOCATION.
- NO CUMULATIVE TOLERANCE.
- LOW HALOGEN SPECIFICATION:
 CHLORINE(Cl): 900ppm MAX.
 BROMINE(Br): 900ppm MAX.
 CHLORINE(Cl)+BROMINE(Br): 1500ppm MAX.



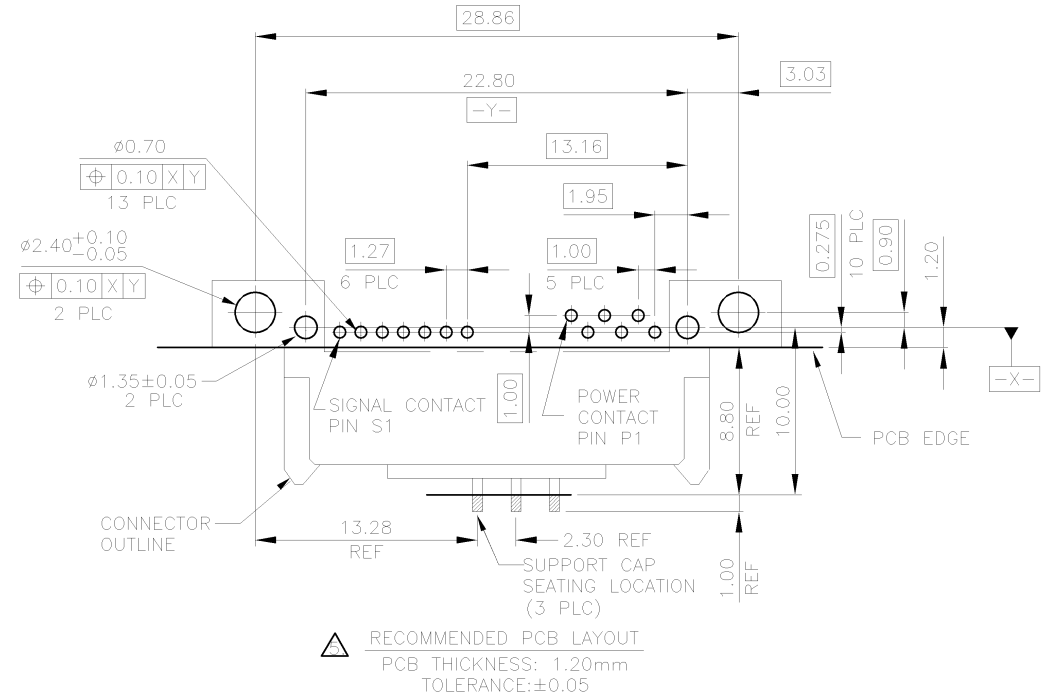
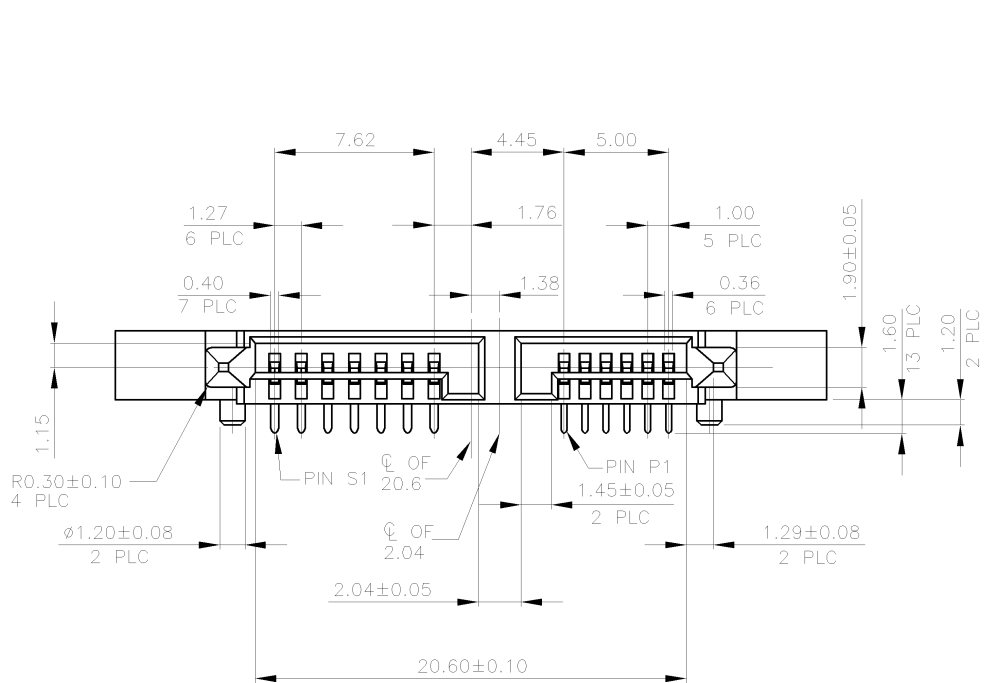
0.762µm[30µ"]	1735777-3
0.381µm[15µ"]	1735777-2
G/F	1735777-1
MINIMUM GOLD PLATING	PART NUMBER

THIS DRAWING IS A CONTROLLED DOCUMENT.		DWN	J. LAI	31AUG2009	 TE Connectivity	SLIMLINE SATA RECEPTACLE, RIGHT ANGLE, TH, 1.55H TOP MOUNT			
DIMENSIONS: MM		CHK	S. CHIEN	31AUG2009		NAME			
TOLERANCES UNLESS OTHERWISE SPECIFIED:		APVD	W. KODAMA	31AUG2009		PRODUCT SPEC	108-57778		
0 PLC ± - 1 PLC ± 0.30 2 PLC ± 0.20 3 PLC ± 0.15 4 PLC ± 0.15 4 PLC ANGLES ± - ± 3'		APPLICATION SPEC				SIZE	CAGE CODE	DRAWING NO	
MATERIAL	SEE NOTE	FINISH	SEE NOTE	WEIGHT	1.05 GRAMS	A3	00779	C=1735777	
CUSTOMER DRAWING		SCALE		SHEET		1 of 3		REV	B

THIS DRAWING IS UNPUBLISHED. RELEASED FOR PUBLICATION AUG ,2006.
 © COPYRIGHT - BY TYCO ELECTRONICS CORPORATION. ALL RIGHTS RESERVED.

LOC	DIST	REVISIONS					
DW	-	P	LTR	DESCRIPTION	DATE	DWN	APVD
				SEE SHEET 1			

(WITHOUT CAP)

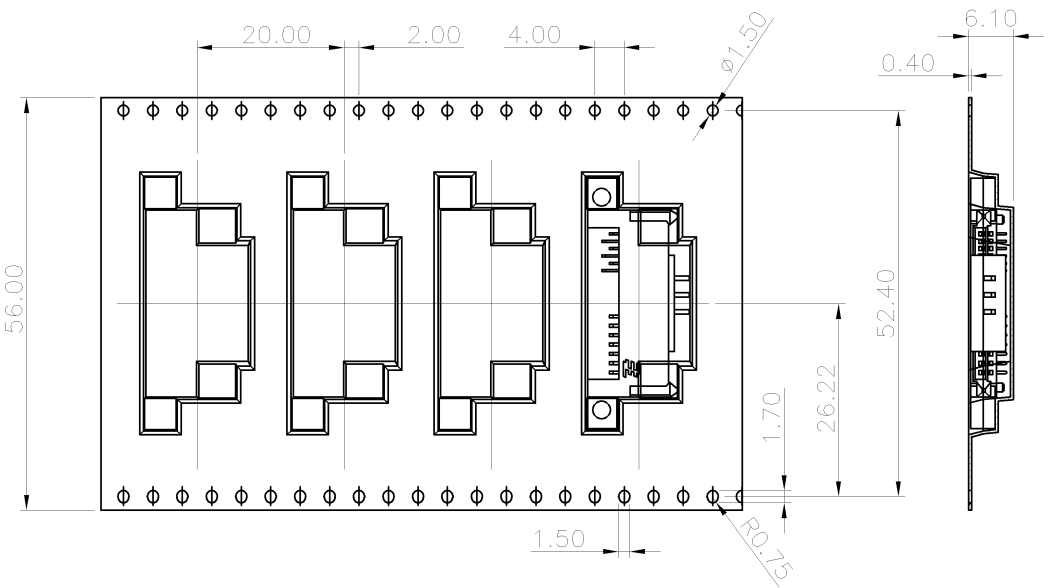
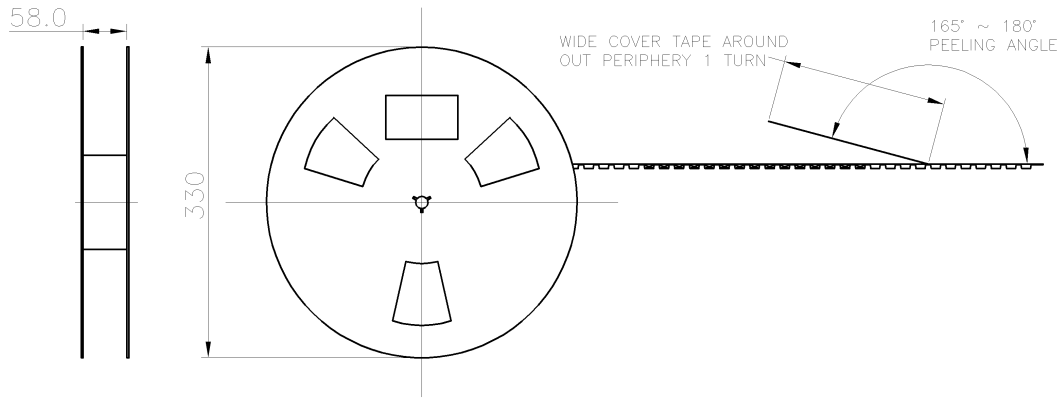


RECOMMENDED PCB LAYOUT
 PCB THICKNESS: 1.20mm
 TOLERANCE: ±0.05

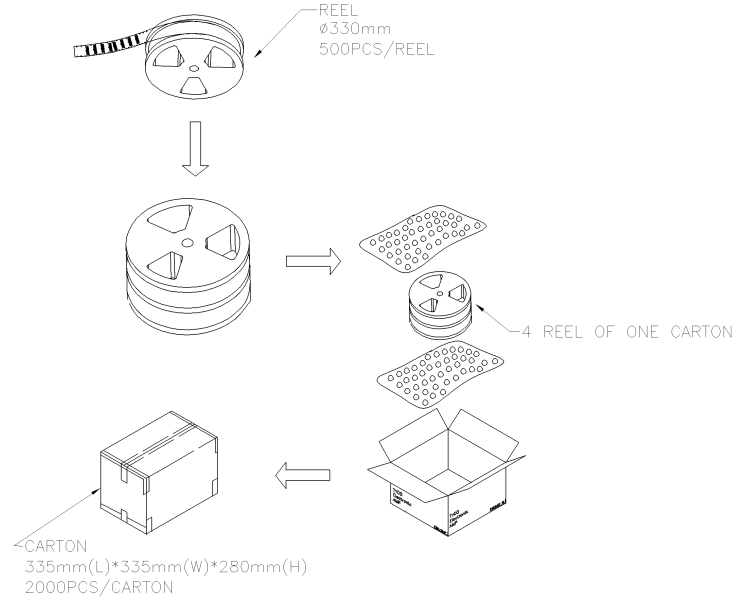
THIS DRAWING IS A CONTROLLED DOCUMENT.		DWN	STE TE Connectivity			
DIMENSIONS: MM		CHK				
TOLERANCES UNLESS OTHERWISE SPECIFIED:		APVD	NAME			
0 PLC ± -		PRODUCT SPEC	SLIMLINE SATA RECEPTACLE, RIGHT ANGLE, TH, 1.55H TOP MOUNT			
1 PLC ± 0.30		QUALIFICATION TEST REPORT	SIZE	CAGE CODE	DRAWING NO	RESTRICTED TO
2 PLC ± 0.20		WEIGHT	A3	00779	C=1735777	-
3 PLC ± 0.15		CUSTOMER DRAWING	SCALE		SHEET	REV
4 PLC ± -			-		2 of 3	B
ANGLES ± 3'						
MATERIAL	FINISH					
SEE SHEET 1	SEE SHEET 1					

THIS DRAWING IS UNPUBLISHED. RELEASED FOR PUBLICATION AUG ,2006.
 © COPYRIGHT BY TYCO ELECTRONICS CORPORATION. ALL RIGHTS RESERVED.

LOC	DIST	REVISIONS					
DW		P	LTR	DESCRIPTION	DATE	DWN	APVD
				SEE SHEET 1.			



SCALE 2:1



4.9(Kg)	2.1(Kg)	500	2000
G/W	N/W	PCS/REEL	PCS/CARTON

THIS DRAWING IS A CONTROLLED DOCUMENT.		DWN	STE TE Connectivity	
DIMENSIONS: MM		CHK		
TOLERANCES UNLESS OTHERWISE SPECIFIED:		APVD	NAME	
0 PLC ±		PRODUCT SPEC	SLIMLINE SATA RECEPTACLE, RIGHT ANGLE, TH, 1.55H TOP MOUNT	
1 PLC ±		APPLICATION SPEC	SIZE	RESTRICTED TO
2 PLC ±		WEIGHT	A3	
3 PLC ±		CUSTOMER DRAWING	CAGE CODE	
4 PLC ±			00779	
ANGLES ±			DRAWING NO	
FINISH ±			C-1735777	
MATERIAL			SCALE	SHEET 3 of 3
				REV B