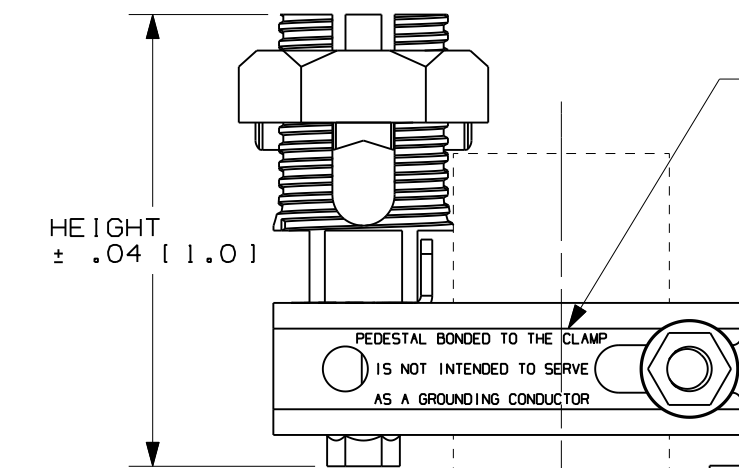
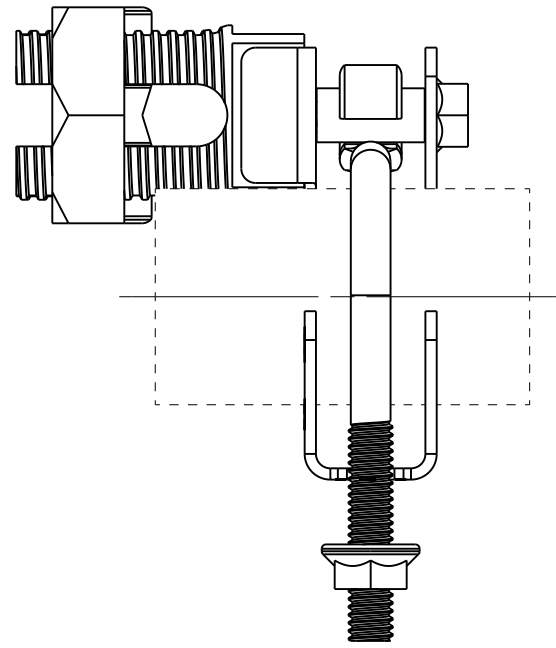
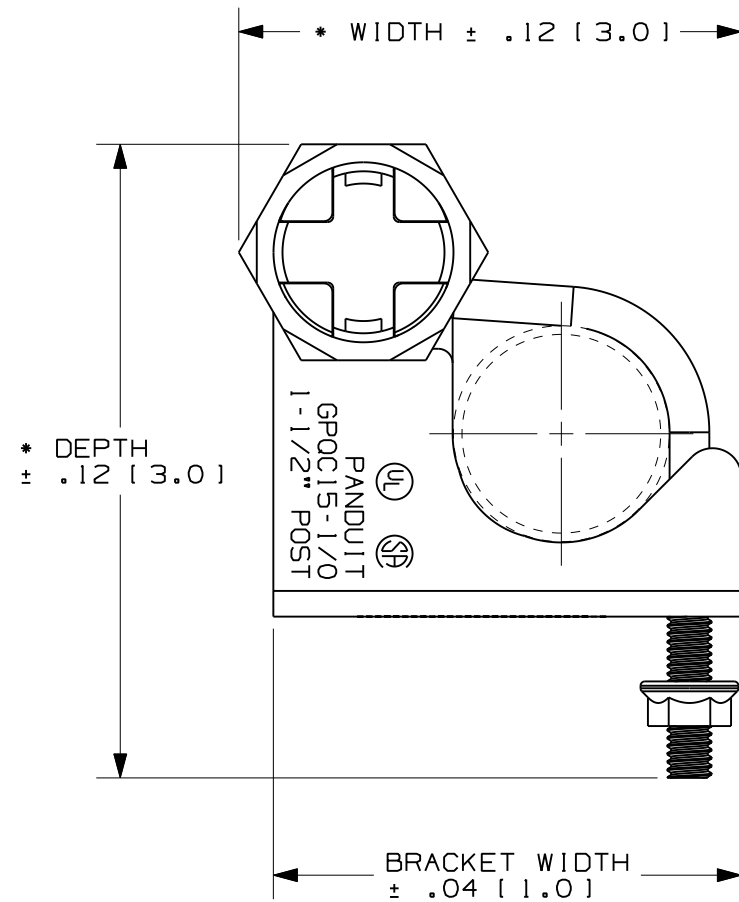


THIS COPY IS PROVIDED ON A RESTRICTED BASIS AND IS NOT TO BE USED IN ANY WAY DETRIMENTAL TO THE INTERESTS OF PANDUIT CORP.

NOTES:

1. PACKAGING: 1 KIT PER BAG
10 BAGS PER CARTON
2. DIMENSIONS IN PARENTHESIS ARE MILLIMETERS.
3. FOR USE WITH COPPER WIRE RANGE #6 AWG SOLID TO 1/0 STRANDED (16 TO 50mm²)
4. SEE TABLE FOR PEDESTAL TYPE AND SIZES
5. INSTALLATION TORQUE OF 32 LB-FT (43.5 N.m) ON WIRES AND 12.5 LB-FT (17 N.m) ON POST.
6. WIRE CLAMP MADE OF HIGH CONDUCTIVITY BRONZE ALLOY.
7. *) DIMENSIONS ARE APPROXIMATE DUE TO MOVABLE COMPONENTS.
8. PRODUCTS ARE UL LISTED AND CSA CERTIFIED.



NOTE:

1. THE CLAMP CREATES A UL LISTED BOND TO THE ACCESS FLOOR.
2. SOME ACCESS FLOORS ARE NOT RATED AS GROUNDING ELECTRODE CONDUCTORS (GEC).
3. USING THIS CLAMP TO BOND THE FLOOR TO A GRID OF CONDUCTORS RESULTS IN A GROUNDED FLOOR.

PANDUIT PART NUMBER	DIMENSIONS - IN [mm]				PEDESTAL SIZE & TYPE
	WIDTH	BRACKET WIDTH	DEPTH	HEIGHT	
GPOC07-1/0	3.38 [85.9]	3.25 [82.6]	4.25 [108.0]	3.19 [81.0]	3/4" ROUND 7/8" ROUND
GPOC10-1/0	3.38 [85.9]	3.25 [82.6]	4.19 [106.4]	3.19 [81.0]	7/8" SQUARE 1" ROUND 1-1/8" ROUND
GPOC12-1/0	3.44 [87.4]	3.25 [82.6]	4.53 [115.1]	3.19 [81.0]	1-1/4" ROUND
GPOC15-1/0	3.44 [87.4]	3.25 [82.6]	4.47 [113.5]	3.19 [81.0]	1-1/2" ROUND
GPOC17-1/0	N/A	4.00 [101.6]	5.19 [131.8]	3.19 [81.0]	1-3/4" ROUND
GPOC20-1/0	N/A	4.00 [101.6]	5.06 [128.5]	3.19 [81.0]	2" ROUND

CAD FILENAME/LAYERS N10943AB_DC_GPOC_05B

PANDUIT CORP TINLEY PARK, ILLINOIS
GROUNDING PEDESTAL QUAD CLAMPS
CUSTOMER DRAWING

UNLESS OTHERWISE SPECIFIED, DIMENSIONAL TOLERANCES ARE:
(.X) ± (.XXX) ±
(.XX) ± ANGLES ±

UNLESS OTHERWISE SPECIFIED, ALL DIMENSIONS ARE GIVEN IN INCHES, THIRD ANGLE PROJECTION

DRAWN BY JHNU MAT'L:
DATE 2/08
SCALE NONE
DRAWING NO. C41746 DWG SIZE B

REV	DATE	BY	CHK	DESCRIPTION	ECN	QA	SUP
05	11/10	JHNU	JHNU	REVISED VIEWS TO SHOW STAMPING ON BRACKET			
04	10/08	JHNU	RWK	ADDED PART NUMBERS GPOC17-1/0 & GPOC20-1/0			
03	9/08	JHNU	RWK	REVISED DIMENSION LOCATIONS, ADDED BRACKET WIDTH DIM. REVISED DIMENSIONS TO REFLECT LOCATION CHANGES			
02	9/08	JHNU	RWK	REVISED HEIGHT DIMENSION: 3.17 WAS 3.03 ADDED ±.06 TOLERANCES, ADDED NOTE 7			
01	6/08	JHNU	RWK	REVISED HEIGHT DIMENSION: 3.17 WAS 3.03 ADDED ±.06 TOLERANCES, ADDED NOTE 7			
00	6/08	JHNU	RWK	DRAWING RELEASED			