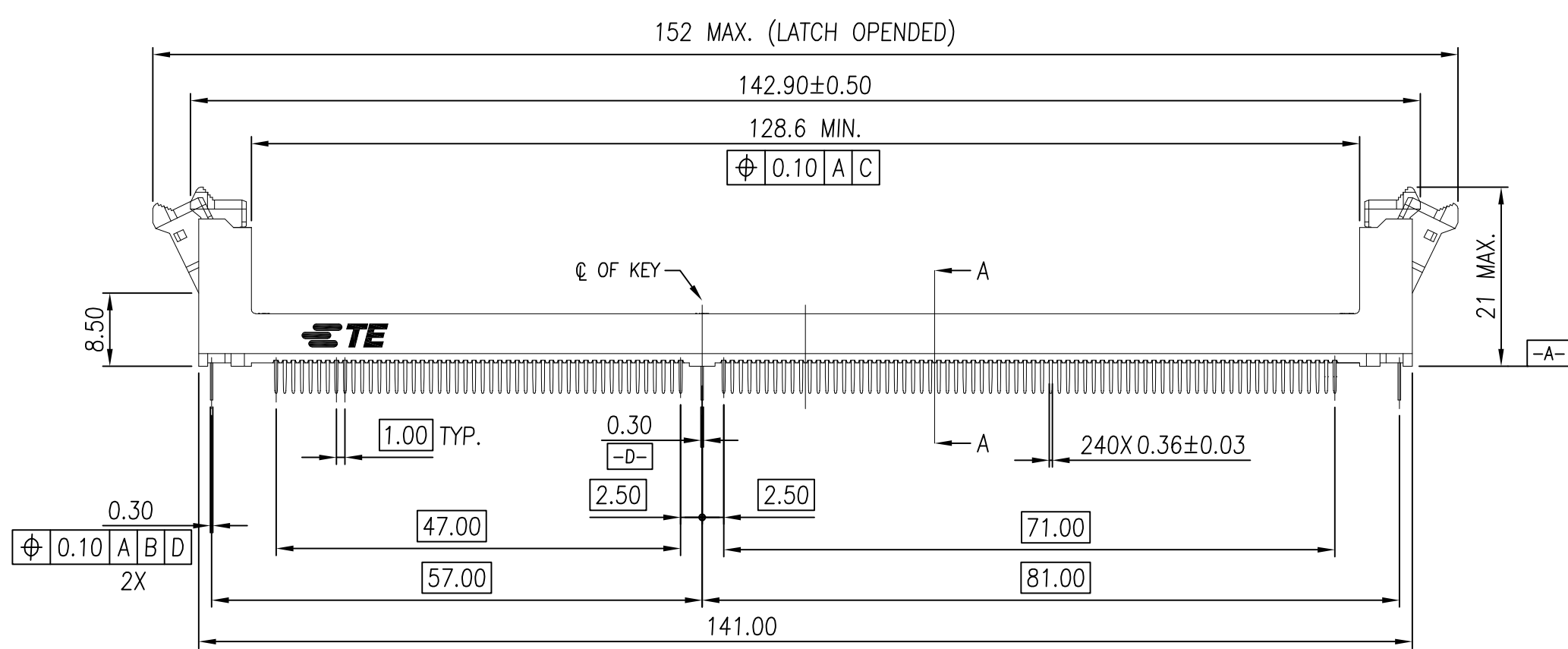
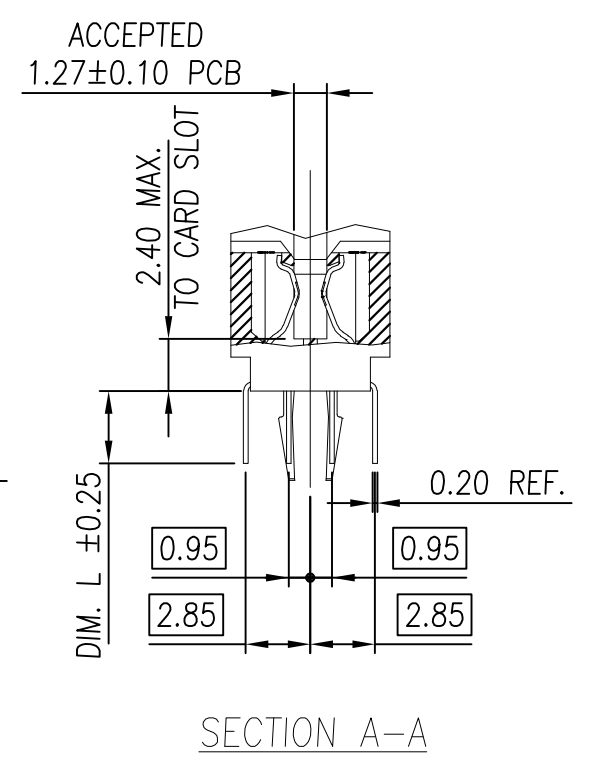
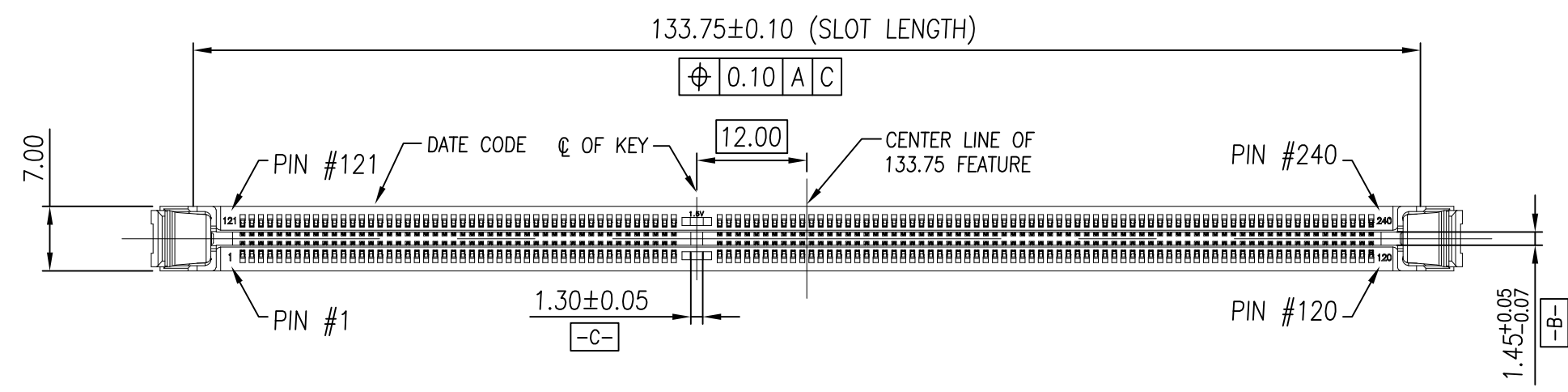


THIS DRAWING IS UNPUBLISHED. RELEASED FOR PUBLICATION
 © COPYRIGHT - By - ALL RIGHTS RESERVED.

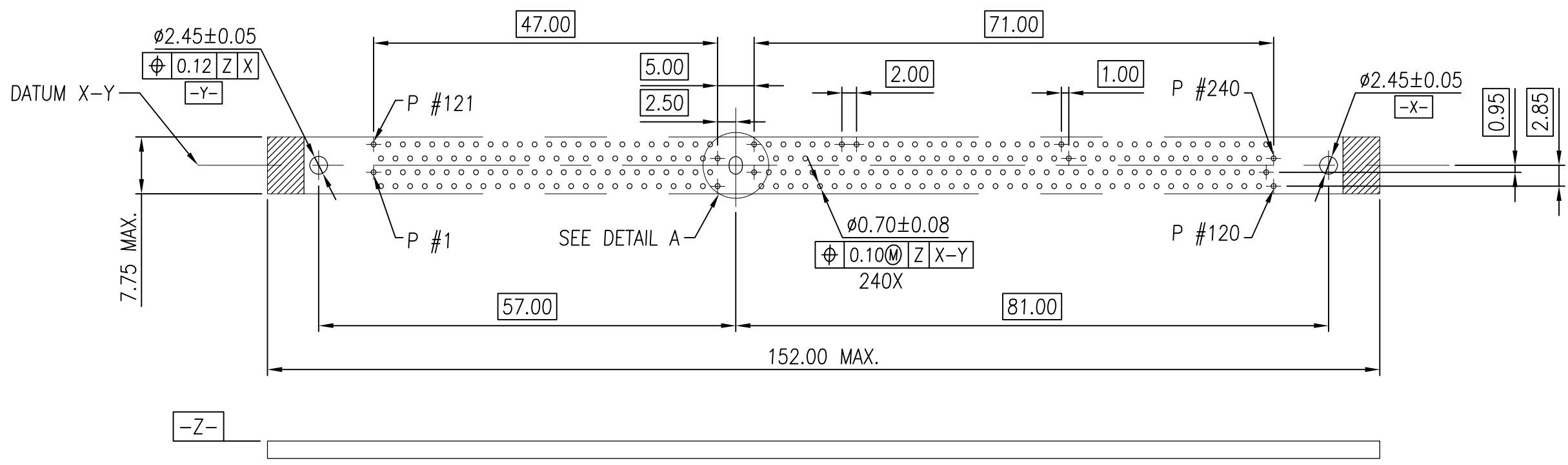
LOC	DIST	REVISIONS				
		P	LTR	DESCRIPTION	DATE	DWN
-	-	B7	PRELIMINARY	16DEC2014	D.Z	S.L



THIS DRAWING IS A CONTROLLED DOCUMENT.		DWN SIMON WU 30DEC2010	 TE Connectivity <h1>PRELIMINARY</h1>		
DIMENSIONS: mm		CHK BILL WONG 30DEC2010			
TOLERANCES UNLESS OTHERWISE SPECIFIED:		APVD COREL WANG 30DEC2010			
0 PLC $\pm -$ 1 PLC ± 0.30 2 PLC ± 0.15 3 PLC $\pm -$ 4 PLC $\pm -$ ANGLES $\pm 1^\circ$		NAME			
MATERIAL SEE NOTE		FINISH SEE NOTE	PRODUCT SPEC 108-115019	SOCKET ASSEMBLY VLP DDR-III, T/H, 240P	
		APPLIC. SPEC	SIZE A3	CAGE CODE 00779	DRAWING NO C-1932680
		WEIGHT 7.82	RESTRICTED TO		
		CUSTOMER DRAWING	SCALE 3:2	SHEET 1 OF 6	REV B7

THIS DRAWING IS UNPUBLISHED. RELEASED FOR PUBLICATION
 © COPYRIGHT - By - ALL RIGHTS RESERVED.

LOC	DIST	REVISIONS			
P	LTR	DESCRIPTION	DATE	DWN	APVD
-	-	SEE SHEET 1	-	-	-



RECOMMENDED PCB LAYOUT (TOP VIEW)



OPTION 1:
CENTER ROUND
HOLE



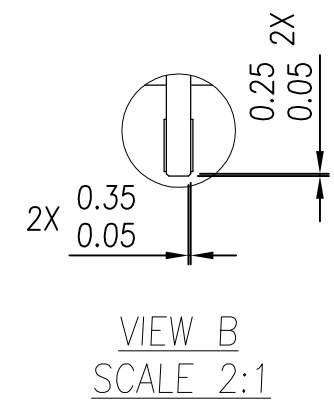
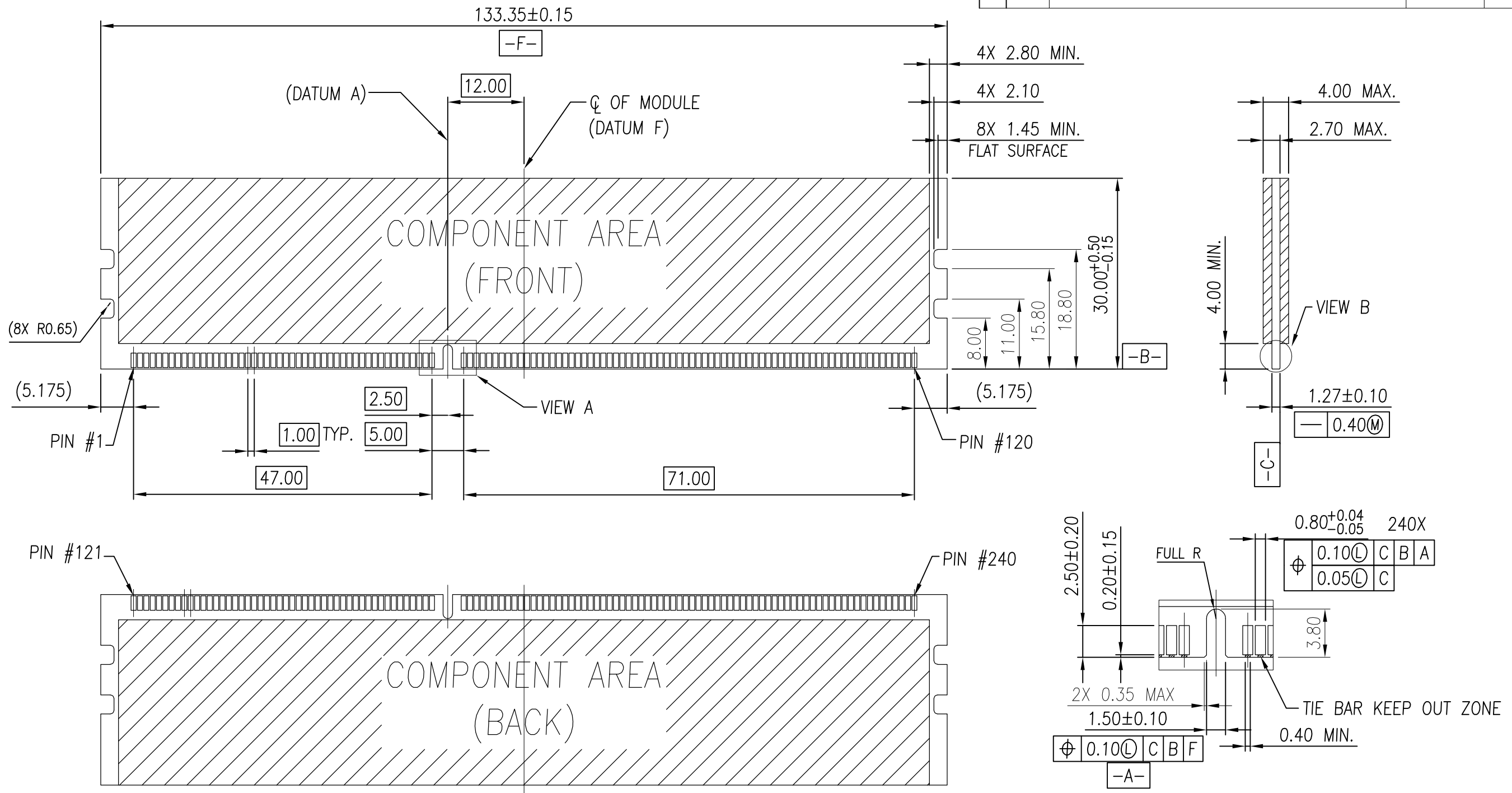
OPTION 2:
CENTER SLOT

DETAIL A
SCALE 3:1

THIS DRAWING IS A CONTROLLED DOCUMENT.		DWN SIMON WU 30DEC2010	TE Connectivity		
DIMENSIONS: mm		CHK BILL WONG 30DEC2010			
TOLERANCES UNLESS OTHERWISE SPECIFIED:		APVD COREL WANG 30DEC2010	NAME		
0 PLC ± - 1 PLC ± 0.30 2 PLC ± 0.15 3 PLC ± - 4 PLC ± - ANGLES ± 1°		PRODUCT SPEC			SOCKET ASSEMBLY VLP DDR-III, T/H, 240P
MATERIAL SEE NOTE		FINISH SEE NOTE			RESTRICTED TO
		APPLICATION SPEC			SIZE A3
		WEIGHT -			CAGE CODE 00779
		CUSTOMER DRAWING			DRAWING NO C-1932680
		SCALE 3:2			SHEET 2 OF 6
					REV B7

THIS DRAWING IS UNPUBLISHED. RELEASED FOR PUBLICATION
 © COPYRIGHT - By - ALL RIGHTS RESERVED.

LOC	DIST	REVISIONS			
P	LTR	DESCRIPTION	DATE	DWN	APVD
-	-	SEE SHEET 1	-	-	-



VIEW A
SCALE 2:1

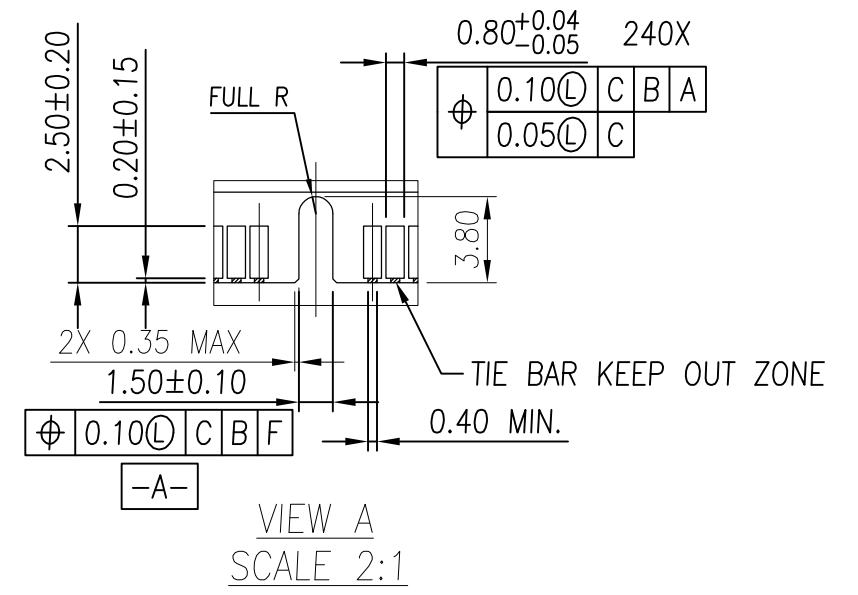
THIS DRAWING IS A CONTROLLED DOCUMENT.		DWN SIMON WU 30DEC2010	TE Connectivity		
DIMENSIONS: mm		CHK BILL WONG 30DEC2010			
TOLERANCES UNLESS OTHERWISE SPECIFIED:		APVD COREL WANG 30DEC2010	NAME		
0 PLC ± -		SOCKET ASSEMBLY			
1 PLC ± 0.30		VLP DDR-III, T/H, 240P			
2 PLC ± 0.15		SIZE			
3 PLC ± -		CAGE CODE			
4 PLC ± -		DRAWING NO			
ANGLES ± 1°		RESTRICTED TO			
MATERIAL		WEIGHT			
SEE NOTE		A3 00779 C-1932680			
FINISH		CUSTOMER DRAWING			
SEE NOTE		SCALE 3:2		SHEET 3 OF 6	
				REV B7	


THIS DRAWING IS UNPUBLISHED. RELEASED FOR PUBLICATION
 © COPYRIGHT - By - ALL RIGHTS RESERVED.

LOC	DIST	REVISIONS			
P	LTR	DESCRIPTION	DATE	DWN	APVD
-	-	SEE SHEET 1	-	-	-



NOTES:
 △ FOR STD VLP MODULE, THE LATCH OF CONNECTOR IS LOCKED BY UPPER NOTCH.



THIS DRAWING IS A CONTROLLED DOCUMENT.		DWN SIMON_WU 30DEC2010	 TE Connectivity			
DIMENSIONS: mm		CHK BILL_WONG 30DEC2010				
TOLERANCES UNLESS OTHERWISE SPECIFIED:		APVD COREL_WANG 30DEC2010	NAME SOCKET ASSEMBLY VLP DDR-III, T/H, 240P			
0 PLC ± -		PRODUCT SPEC	SIZE	CAGE CODE	DRAWING NO	RESTRICTED TO
1 PLC ± 0.30		APPLICATION SPEC	A3	00779	C-1932680	-
2 PLC ± 0.15		WEIGHT	CUSTOMER DRAWING		SCALE	SHEET
3 PLC ± -		FINISH	SEE NOTE		3:2	4 OF 6
4 PLC ± -		SEE NOTE	SEE NOTE		REV	B7
ANGLES ± 1°						

THIS DRAWING IS UNPUBLISHED. RELEASED FOR PUBLICATION
 © COPYRIGHT - By - ALL RIGHTS RESERVED.

LOC		DIST		REVISIONS			
P	LTR	DESCRIPTION		DATE	DWN	APVD	
-	-	-	-	SEE SHEET 1	-	-	


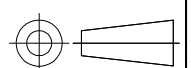
NOTES:

1. MATERIAL:
 - 1.1 HOUSING: THERMOPLASTIC, UL94V-0; COLOR: SEE TABLE.
 - 1.2 LATCH: THERMOPLASTIC, UL94V-0; COLOR: SEE TABLE.
 - 1.3 CONTACT: COPPER ALLOY.
 - 1.4 BOARDLOCK: COPPER ALLOY.
2. FINISH:
 - 2.1 CONTACT:
 - GOLD PLATING THICKNESS ON CONTACT AREA: SEE TABLE.
 - THICKNESS 100u" MIN. MATTE-TIN PLATING ON SOLDER TAIL AREA.
 - THICKNESS 90u" MIN. NICKEL UNDERPLATING OVERALL FOR 20u" GOLDPLATING.
 - THICKNESS 50u" MIN. NICKEL UNDERPLATING OVERALL FOR OTHER GOLDPLATING.
 - SEALANT APPLY IN PLATING PROCESS.
 - 2.2 BOARDLOCK:
 - THICKNESS 50u" MIN. NICKEL UNDERPLATING OVERALL.
 - THICKNESS 100u" MIN. MATTE-TIN PLATING OVERALL.

3. CONFORMS TO THE REQUIREMENTS OF EIA/ECA-364-1000.01A (CONTROLLED ENVIRONMENT APPLICATIONS, AND TE PRODUCT SPECIFICATION.)

- 4. LLCR SPEC.: 30mΩ MAX. INITIAL, THE CHANGE NOT GREATER THAN 20mΩ AFTER ALL ENVIRONMENT TEST.
- 5. LLCR SPEC.: 10mΩ MAX. INITIAL, THE CHANGE NOT GREATER THAN 10mΩ AFTER ALL ENVIRONMENT TEST.

SEE NOTE 5	4.00	4.00	30u" MIN	NATURAL	BLACK	2-1932680-3
SEE NOTE 5	2.67	3.50	15u" MIN	NATURAL	BLUE(2935U)	2-1932680-2
SEE NOTE 5	2.67	3.50	15u" MIN	NATURAL	BLACK	2-1932680-1
SEE NOTE 5	3.18	4.00	30u" MIN	BLACK	BLACK	2-1932680-0
SEE NOTE 5	3.18	4.00	20u" MIN	GREEN(375C)	BLACK	1-1932680-9
			15u" MIN	NATURAL	BLUE(2935U)	1-1932680-8
			15u" MIN	NATURAL	BLACK	1-1932680-7
			20u" MIN	NATURAL	BLACK	1-1932680-6
SEE NOTE 5	2.54	3.50	20u" MIN	BLACK	BLACK	1-1932680-5
			20u" MIN	GREEN(375C)	BLACK	1-1932680-4
SEE NOTE 5	2.54	3.50	20u" MIN	NATURAL	BLACK	1-1932680-3
			20u" MIN	BLACK	BLACK	1-1932680-2
SEE NOTE 5	3.18	4.00	30u" MIN	NATURAL	BLACK	1-1932680-1
			20u" MIN	GREEN(375C)	BLACK	1-1932680-0
			15u" MIN	NATURAL	BLUE(2935U)	1932680-8
			15u" MIN	NATURAL	BLACK	1932680-6
SEE NOTE 4	3.18	4.00	20u" MIN	NATURAL	BLACK	1932680-4
			20u" MIN	BLACK	BLACK	1932680-2
LLCR SPEC.	DIM. L	DIM. D	CONTACT GOLD PLATING	LATCH COLOR	HOUSING COLOR	PART NUMBER

THIS DRAWING IS A CONTROLLED DOCUMENT.		DWN SIMON WU 30DEC2010	 TE Connectivity SOCKET ASSEMBLY VLP DDR-III, T/H, 240P						
DIMENSIONS: mm		CHK BILL WONG 30DEC2010					NAME		
		APVD COREL WANG 30DEC2010					PRODUCT SPEC		
TOLERANCES UNLESS OTHERWISE SPECIFIED:		APPLICATION SPEC							
0 PLC ± - 1 PLC ± 0.30 2 PLC ± 0.15 3 PLC ± - 4 PLC ± - ANGLES ± 1°		WEIGHT	SIZE	CAGE CODE	DRAWING NO	RESTRICTED TO			
MATERIAL SEE NOTE		FINISH SEE NOTE		A3 00779 C-1932680		-			
CUSTOMER DRAWING				SCALE	SHEET	REV			
				3:2	5 OF 6	B7			

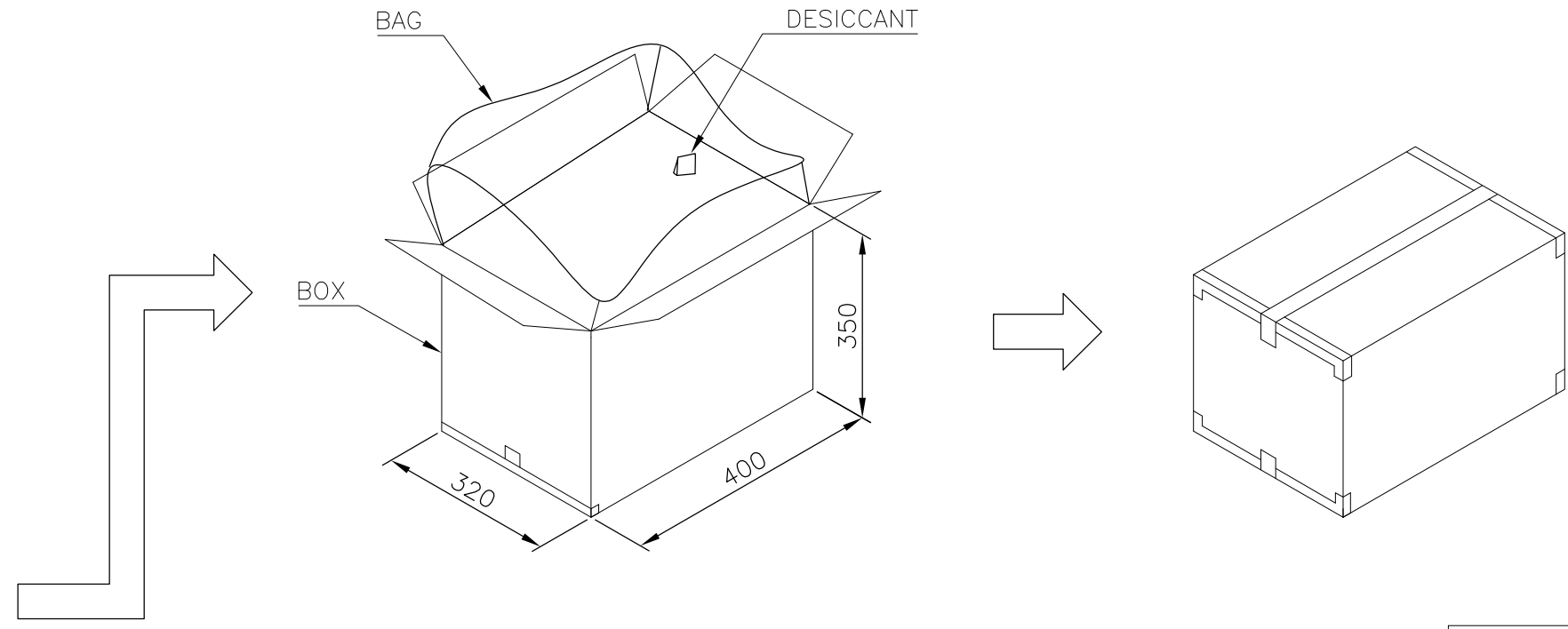
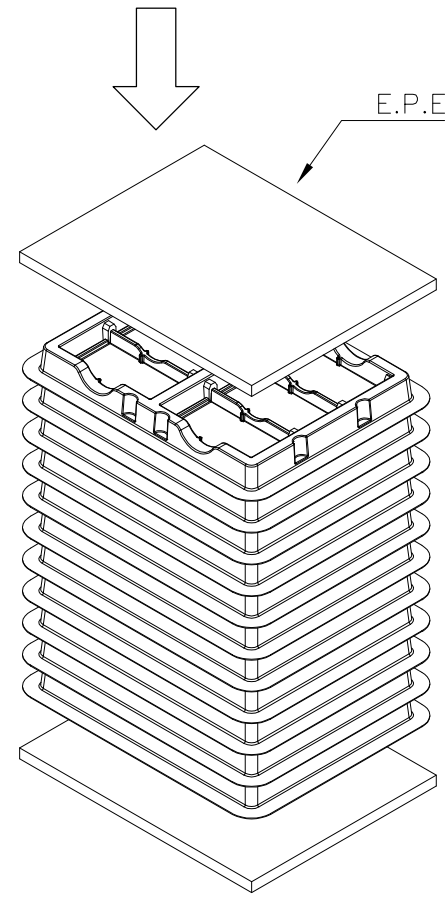
THIS DRAWING IS UNPUBLISHED. RELEASED FOR PUBLICATION
 © COPYRIGHT - By - ALL RIGHTS RESERVED.

LOC	DIST	REVISIONS					
		P	LTR	DESCRIPTION	DATE	DWN	APVD
-	-	-	-	SEE SHEET 1	-	-	-



NOTES :
 PACKING MATERIAL MET TE SPEC TEC-138-702.
 * CADMIUM AND CADMIUM COMPOUNDS CONTENT:
 5 PPM UNDER (PLASTIC, RUBBER, INK, PIGMENT, PAINT)
 * LEAD, CADMIUM, CHROM VI AND MERCURY IN PACKAGING
 MATERIALS CONTENT: 100 PPM (COMBINED) UNDER.

- MATERIAL :
 TRAY: PVC, COLOR: TRANSPARENT.
 BOX: CORRUGATED FIBER
 TRANSPARENT BAG: PE, SIZE: 600mm*450mm*0.06mm
- EACH BAG SHALL BE INCLUDED:
 * DESICCANT



X.X KG	X.X KG	54	10	540
GROSS WEIGHT	NET WEIGHT	PCS/ TRAY	TRAY/ BOX	PCS/ BOX

THIS DRAWING IS A CONTROLLED DOCUMENT.		DWN SIMON WU 30DEC2010	STE TE Connectivity														
DIMENSIONS: mm		CHK BILL WONG 30DEC2010				NAME											
TOLERANCES UNLESS OTHERWISE SPECIFIED:		APVD COREL WANG 30DEC2010	SOCKET ASSEMBLY VLP DDR-III, T/H, 240P														
<table border="1"> <tr><td>0 PLC</td><td>± -</td></tr> <tr><td>1 PLC</td><td>± 0.30</td></tr> <tr><td>2 PLC</td><td>± 0.15</td></tr> <tr><td>3 PLC</td><td>± -</td></tr> <tr><td>4 PLC</td><td>± -</td></tr> <tr><td>ANGLES</td><td>± 1°</td></tr> </table>		0 PLC	± -	1 PLC	± 0.30	2 PLC	± 0.15	3 PLC	± -	4 PLC	± -	ANGLES	± 1°	PRODUCT SPEC	SIZE		RESTRICTED TO
0 PLC	± -																
1 PLC	± 0.30																
2 PLC	± 0.15																
3 PLC	± -																
4 PLC	± -																
ANGLES	± 1°																
MATERIAL SEE NOTE		APPLICATION SPEC	CAGE CODE	DRAWING NO													
FINISH SEE NOTE		WEIGHT	A300779	C-1932680													
CUSTOMER DRAWING			SCALE	SHEET	REV												
			N/A	6 OF 6	B7												