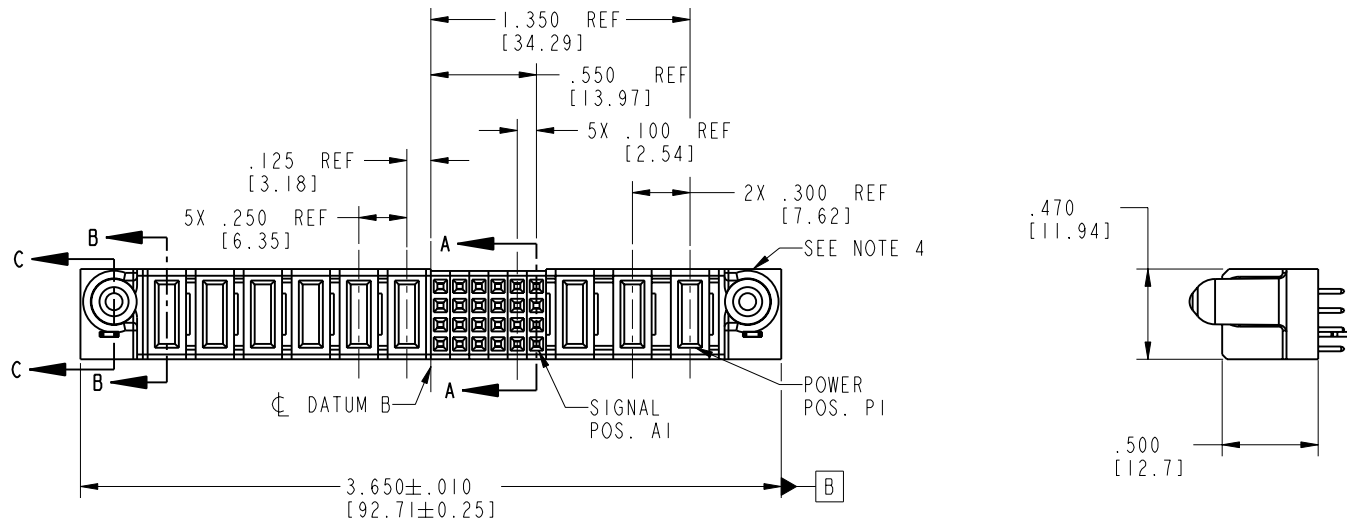


Tous droits strictement réservés. Reproduction ou communication o des liens interdite sous quelque forme que ce soit sans autorisation écrite du propriétaire. Propriete de c FCI. Droits de reproduction FCI.

FCI

All rights strictly reserved. Reproduction or issue to third parties in any form, whenever is not permitted without written authority from the proprietor. Property of FCI. Copyright FCI.

PRODUCT NO.	ROWS	POWER						SIGNAL					POWER					
		E2	P9	P8	P7	P6	P5	P4	6	5	4	3	2	1	P3	P2	P1	E1
51940-172-- NOTE: ③	D C B A		PA	PA	PA	PD	PD	PD	E	E	E	E	E	E	PA	PD	PD	



CODE	DIM "M" MATING LENGTH	CONTACT TYPE
E	N/A [N/A]	SIGNAL
PA	.042 [1.07]	POWER
PD	.092 [2.34]	POWER
HA	N/A [N/A]	HOLD-DOWN

mat'l code SEE NOTE 2				tolerances unless otherwise specified		CUSTOMER		FCI www.fciconnect.com	
ltr	ecn no.	dr	date	linear	.XX ± .01/0.X ± 0.3	COPY		title 3ACP + 24S + 6P VERTICAL STB RECEPT	
A	DG05-0422	GuoJM	10/28/05	angles	.XXX ± .005/0.XXX ± 0.13 .XXX ± .0020/0.XXX ± 0.051	projection		product family PwrBlade code 213	
				dr	JM GUO 10/28/05	INCH/MM		size dwg no	
				engr	SLUO 10/28/05	scale 1:1		A 51940-172 sheet 1 of 4	
				chr	VICTOR LIN 10/28/05				
				appd	JOSEPH HSIA 10/28/05				
sheet index	revision sheet	A	A	A	A				
		1	2	3	4				

1 | 2

Pro/E

3 |

cage code 22526

4

PDM: Rev:A

STATUS: Released

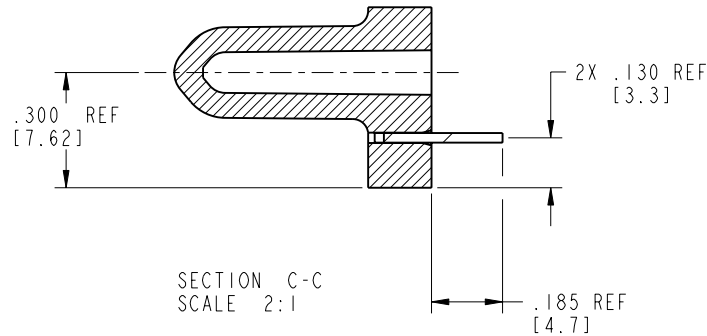
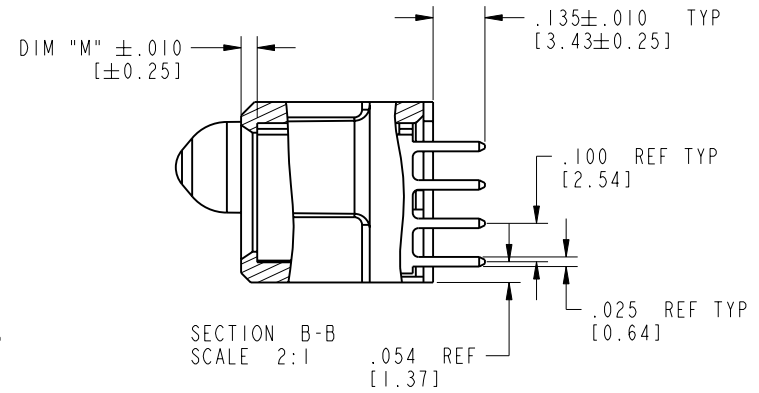
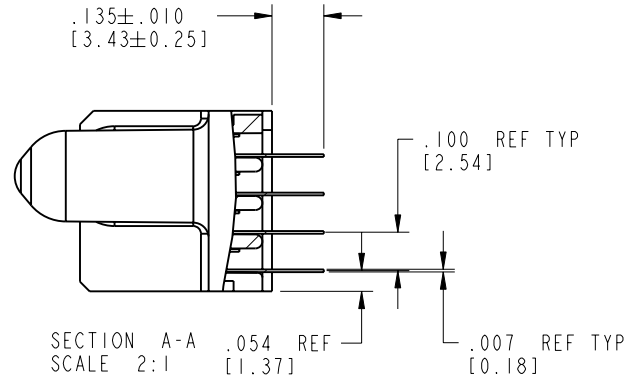
Printed: Dec 20, 2010


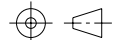
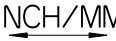
Tous droits strictement réservés. Reproduction ou communication o des liers interdite sous quelque forme que ce soit sans autorisation écrite du propriétaire. Propriete de c FCI. Droits de reproduction FCI.

All rights strictly reserved. Reproduction or issue to third parties in any form, whatever is not permitted without written authority from the proprietor. Property of FCI. Copyright FCI.

PRODUCT NUMBER

51940-172
NOTE: (3)



mat'l code		SEE NOTE 2		tolerances unless otherwise specified		CUSTOMER		 FCI www.fciconnect.com	
ltr	ecn no.	dr	date	linear	.XX ± .01/0.X ± 0.3	projection	COPY		
A				linear	.XXX ± .005/0.XX ± 0.13			title	
				angles	.XXX ± .0020/0.XXX ± 0.051			3ACP + 24S + 6P VERTICAL STB RECEPT	
				dr	JM GUO 10/28/05	INCH/MM		product family	
				engr	SLUO 10/28/05	scale		PwrBlade	
				chr	VICTOR LIN 10/28/05	1:1		code	
				appd	JOSEPH HSIA 10/28/05			213	
sheet index		revision sheet						size	
								dwg no	
								A 51940-172	
								sheet	
								2 of 4	

cage code 22526

Pro/E

PDM: Rev:A

STATUS: Released

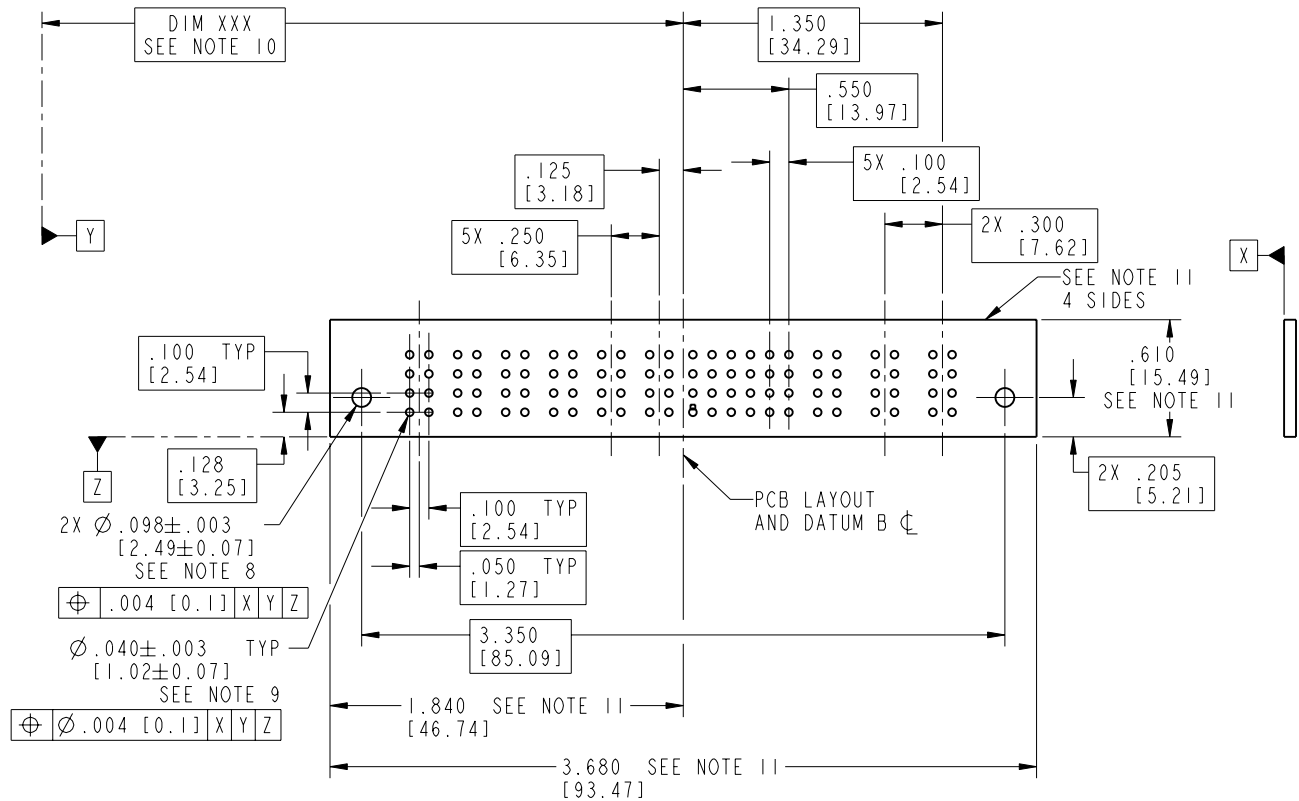
Printed: Dec 20, 2010

Tous droits strictement réservés. Reproduction ou communication o des liers interdite sous quelque forme que ce soit sans autorisation écrite du propriétaire. Propriete de c FCI. Droits de reproduction FCI.

All rights strictly reserved. Reproduction or issue to third parties in any form, whatever is not permitted without written authority from the proprietor. Property of FCI. Copyright FCI.

PRODUCT NUMBER

51940-172--
NOTE: (3)



mat'l code		SEE NOTE 2		tolerances unless otherwise specified		CUSTOMER		 www.fciconnect.com	
lfr	ecn no.	dr	date	linear	.XX±.01/0.X±0.3	COPY			
A				projection	.XXX±.005/0.XX±0.13	 INCH/MM		title	
				angles	.XXX±.0020/0.XXX±0.051			3ACP + 24S + 6P VERTICAL STB RECEPT	
				dr	JM GUO 10/28/05	product family		PwrBlade	
				enqr	SLUO 10/28/05	size		213	
				chr	VICTOR LIN 10/28/05	dwg no		51940-172	
				appd	JOSEPH HSIA 10/28/05	scale		A 1:1	
sheet index		revision sheet						3 of 4	

cage code 22526

Pro/E

Tous droits strictement réservés. Reproduction ou communication o des liers interdite sous quelque forme que ce soit sans autorisation écrite du propriétaire. Propriete de c FCI. Droits de reproduction FCI.

A
FCI

All rights strictly reserved. Reproduction or issue to third parties in any form, whatever is not permitted without written authority from the proprietor. Property of FCI. Copyright FCI.

A

B

PRODUCT NUMBER

51940-172__
NOTE: ③

NOTES:

1. DIMENSIONS AND TOLERANCES ARE IN ACCORDANCE WITH ASME Y14.5M, 1994 UNLESS OTHERWISE SPECIFIED.

CONNECTOR NOTES:

② HOUSING MATERIAL: UL 94 V-0 GLASS FILLED

HIGH-TEMP THERMOPLASTIC
POWER CONTACT MATERIAL: COPPER ALLOY
SIGNAL PIN MATERIAL: COPPER ALLOY

3. PLATING:

51940-172 Singal Pin:30u"/0.76um Au OVER 50u"/1.27um Ni ON THE CONTACT AREA,
AND 100u"/2.54um SnPb PLATING OVER 50u"/1.27um Ni ON THE TERMINATION SECTION.
Power Pin:30u"/0.76um Au OVER 50u"/1.27um Ni ON THE CONTACT AREA,
AND 100u"/2.54um SnPb PLATING OVER 50u"/1.27um Ni ON THE TERMINATION SECTION.

51940-172LF Singal Pin:30u"/0.76um Au OVER 50u"/1.27um Ni ON THE CONTACT AREA,
AND 78u"/2.00um Sn PLATING OVER 50u"/1.27um Ni ON THE TERMINATION SECTION.
Power Pin:30u"/0.76um Au OVER 50u"/1.27um Ni ON THE CONTACT AREA,
AND 78u"/2.00um Sn PLATING OVER 50u"/1.27um Ni ON THE TERMINATION SECTION.

PART NUMBER 51940-172LF MEETS EUROPEAN UNION DIRECTIVE AND JOTHER COUNTRY REGULATIONS AS DESCRIBED IN GS-22-008.

THE HOUSING WILL WITHSTAND EXPOSURE TO 260° PEAK TEMPERATURE FOR 10 SECONDS IN A WAVE SOLDER APPLICATION WITH A CIRCUIT BOARD.

④ MANUFACTURER'S NAME, P/N, AND DATE CODE TO APPEAR ON THIS SURFACE.

5. PRODUCT SPECIFICATION GS-12-149.
APPLICATION SPECIFICATION BUS-20-067.

6. PACKAGED IN TRAYS.

PCB NOTES:

7. ALL HOLE DIAMETERS ARE FINISHED HOLE SIZE.

⑧ MOUNTING HOLES, WHERE APPLICABLE, ARE UNPLATED.

⑨ $\varnothing .0453 \pm .0010$ [1.151 ± 0.025] DRILLED HOLES PLATED WITH
.0003 [0.008] MIN SnPb OVER .001 [0.03]
TO .003 [0.08] Cu PLATING TO ACHIEVE
 $\varnothing .040 \pm .003$ [1.02 ± .07] HOLE.

⑩ "DIM XXX" TO BE DETERMINED BY THE CUSTOMER.

⑪ CONNECTOR KEEP-OUT ZONE.

mat'l code				SEE NOTE 2		tolerances unless otherwise specified		CUSTOMER		A FCI www.fciconnect.com		
lfr	ecr no.	dr	date	linear	.XX±.01/0.X±0.3		COPY		projection	title		
A					.XXX±.005/0.XX±0.13		A			3ACP + 24S + 6P		
					.XXX±.0020/0.XXX±0.051		INCH/MM			VERTICAL STB RECEPT		
				angles	$0^{\circ} \pm 2^{\circ}$		scale		product family	code		
				dr	JM GUO	10/28/05	1:1			PwrBlade		213
				engr	SLUO	10/28/05				size		sheet
				chr	VICTOR LIN	10/28/05			A		4 of 4	
				appd	JOSEPH HSIA	10/28/05			51940-172			
sheet index	revision sheet											

A

B

1 | 2

3 |

4

1 | 2

Pro/E

3 |

coge code 22526

4