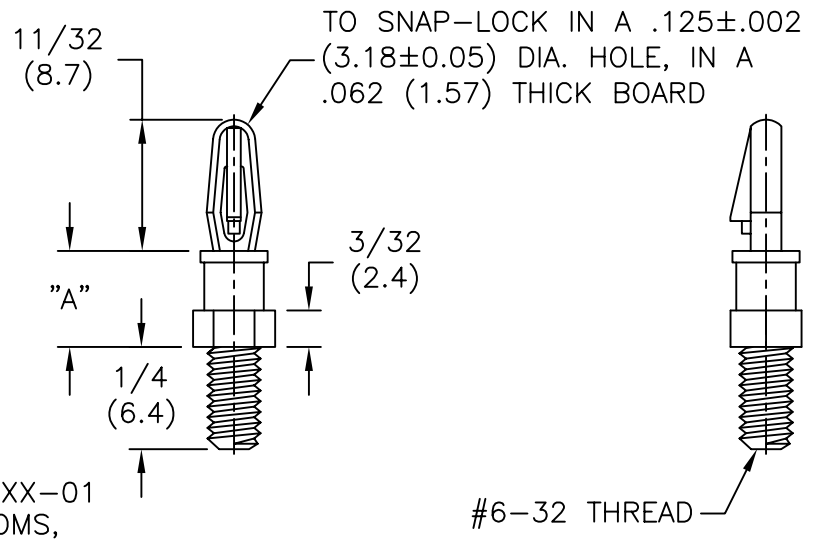
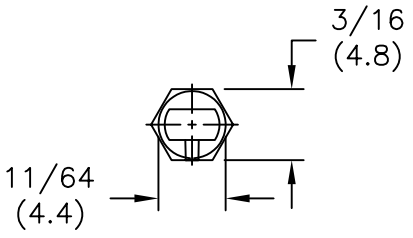


PART NO.	DIM "A" ±.015 (±0.4)
SCBSM-632-2-01	1/8 (3.2)
SCBSM-632-3-01	3/16 (4.8)
SCBSM-632-4-01	1/4 (6.4)
SCBSM-632-5-01	5/16 (7.9)
SCBSM-632-6-01	3/8 (9.5)
SCBSM-632-7-01	7/16 (11.1)
SCBSM-632-8-01	1/2 (12.7)
SCBSM-632-9-01	9/16 (14.3)
SCBSM-632-10-01	5/8 (15.9)



NOTES:

- MAT'L: NYLON 6/6 (RMS-01).
FLAME RETARDANT, NYLON (RMS-19),
AVAILABLE BY SPECIAL ORDER.
- COLOR: NATURAL.
- MSCBSM-M3-XX-01 OR MSCBSM-M4-XX-01
WITH M3 OR M4 THREADED STUD BOTTOMS,
AVAILABLE BY SPECIAL ORDER ONLY.
MSCBSM ALSO AVAILABLE IN V-0 MATERIAL
BY SPECIAL ORDER. TO ORDER REPLACE
"-01" WITH "-19"

REV	DESCRIPTION	ENGR	DATE
F	SEE ECN #484 FOR CHANGES	SM	10.09.02
E	SEE ECN #473 FOR CHANGES	SM	09.27.02
D	CHANGED FILE NO. AND TITLE BLOCK	SM	08.14.02
C	MAT'L RMS-19 ADDED	J.L.	12.29.97
B	632 ADDED TO P/N (SCBSM) & METRIC SERIES ADDED	J.L.	9.29.97
A	CONVERTED TO ACAD	PB	07.12.94

TITLE: STUDDED CIRCUIT BOARD SUPPORT, MINI			
TOLERANCES UNLESS NOTED .XX=±.010 .XXX=±.005 FRAC=±1/64 ANG=±1°	FILE # SCBSM	DWN: P.B.	APP:
	MAT'L: SEE NOTES	DT: 07-12-94	DT:
	RE: RICHCO, INC.	RICHCO INC. PO BOX 804238, CHICAGO, 60680 (773) 539-4060	

DWG IN IN (MM)	FINAL	PRINT TYPE
		CA
PART #		
SEE TABLE		