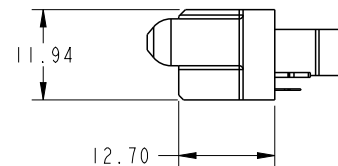
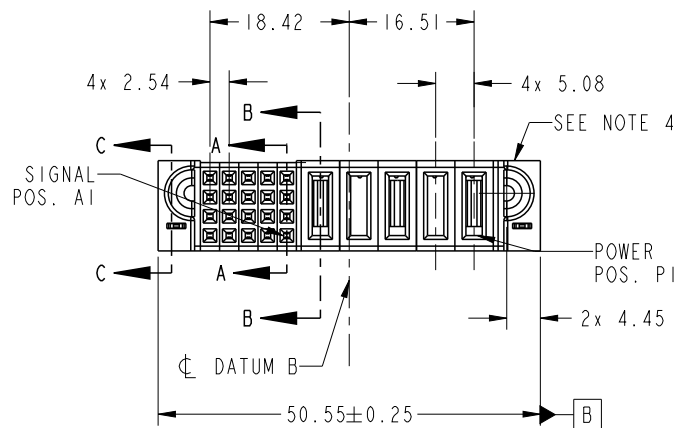
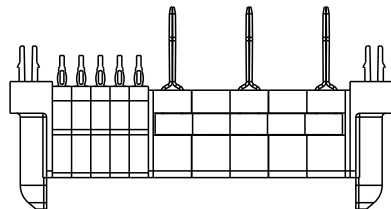


PRODUCT NO.	ROWS	SIGNAL					POWER					E1					
		E2	5	4	3	2	1	P5	P4	P3	P2		P1				
51940-531-- NOTE: 3	D C B A		F	F	F	F	F	F	F	F	F	PG	X	PH	X	PH	

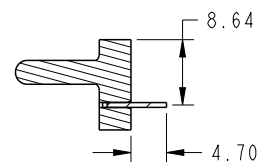
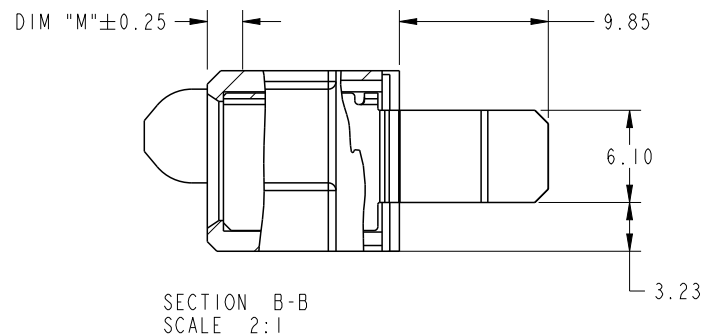
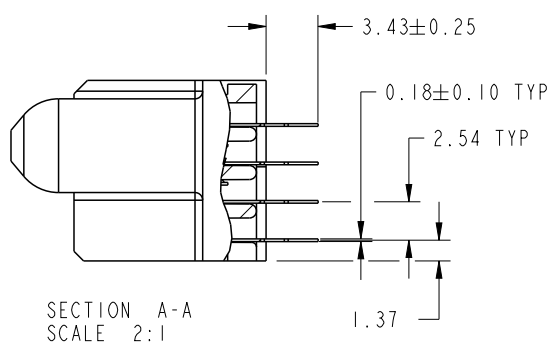


CODE	DIM "M" MATING LENGTH	CONTACT TYPE
F	[N/A]	SIGNAL
HA	[N/A]	HOLD-DOWN
PG	[1.07]	POWER
PH	[2.34]	POWER
X	[N/A]	OMITTED

spec ref	SEE NOTES		dr	Ruan MT	2014/04/10	projection 	MM ←→	size	A4	scale	1:1
tolerance std	TOLERANCES UNLESS OTHERWISE SPECIFIED		eng	De-Ming Lu	2014/05/27			ecn no	ELX-DG-17791-1		
SEE NOTE			chr	-	-			rel level	Released		
surface	linear	0.X	±0.5		title	5DCP+20S	dwg no	51940-531	rev	B	
		0.XX	±0.25								
	angular	0°	±2°	www.fci.com	cat. no.	-	Product - Customer Drw	sheet 1 of 4			

PRODUCT NUMBER

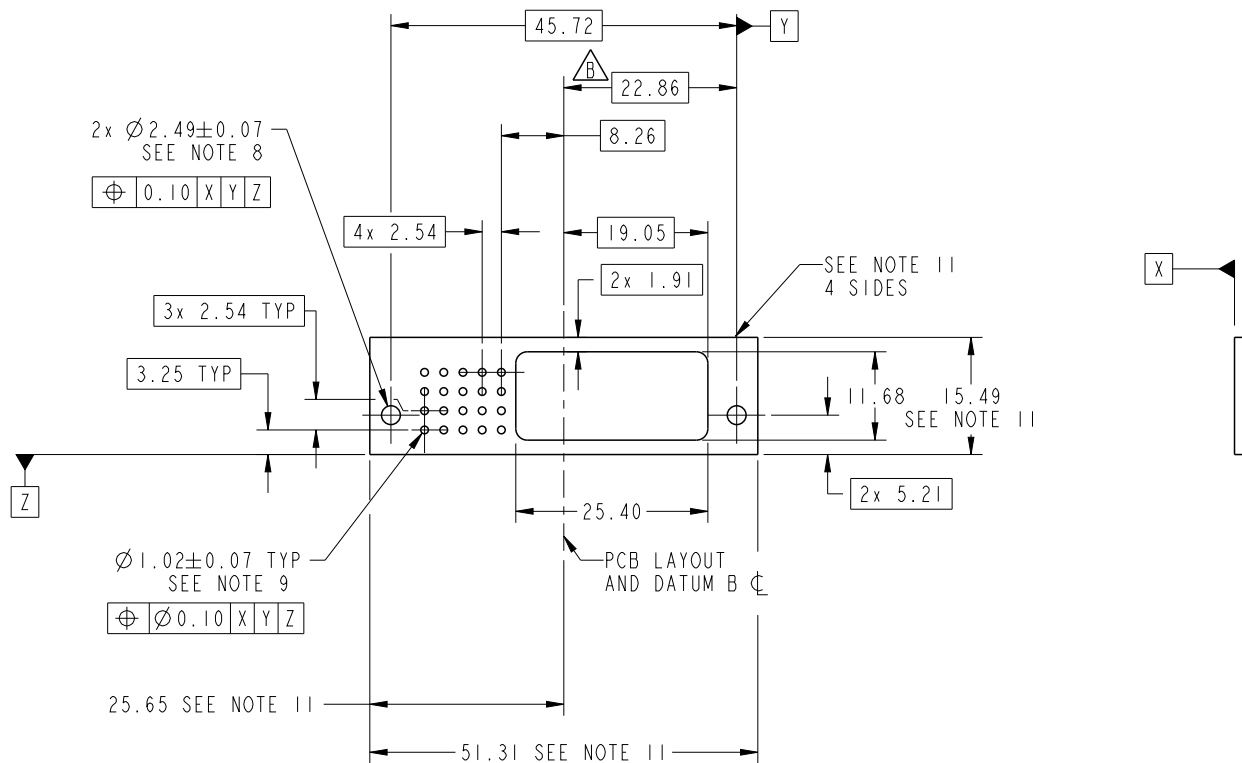
51940-531__
NOTE: 3



dr	Ruan MT	2014/04/10	projection 	MM 	size	A4	scale	1:1
eng	De-Ming Lu	2014/05/27			ecn no	ELX-DG-17791-1		
chr	-	-			rel level	Released		
appr	Pei-Ming Zheng	2014/05/27	product family	PwrBlade				
	title	5DCP+20S		dwg no	51940-531		rev	B
www.fci.com	cat. no.	-	Product - Customer Drw		sheet 2 of 4			

PRODUCT NUMBER

51940-531--
NOTE: 3



RECOMMENDED PCB LAYOUT

dr	Ruan MT	2014/04/10	projection 	MM 	size	A4	scale	1:1	
eng	De-Ming Lu	2014/05/27			ecn no	ELX-DG-17791-1			
chr	-	-			rel level	Released			
appr	Pei-Ming Zheng	2014/05/27	product family	PwrBlade					
	title	5DCP+20S VERTICAL PF RECEPT			dwg no	51940-531		rev	B
www.fci.com	cat. no.	-	Product - Customer Drw			sheet 3 of 4			


PRODUCT NUMBER

51940-531--
NOTE: 3

NOTES:

1. DIMENSIONS AND TOLERANCES ARE IN ACCORDANCE WITH ASME Y14.5M, 1994 UNLESS OTHERWISE SPECIFIED.

CONNECTOR NOTES:

- 2 HOUSING MATERIAL: UL 94 V-0 GLASS FILLED HIGH-TEMP THERMOPLASTIC
POWER CONTACT MATERIAL: COPPER ALLOY
SIGNAL PIN MATERIAL: COPPER ALLOY
- 3. SEE ITEM 7 & 8 IN PRINT 10064183 FOR PLATING SPEC OF 51940-531 AND 51940-531LF RESPECTIVELY.
- 4 MANUFACTURER'S NAME, DATE CODE AND OPTIONAL P/N TO APPEAR ON THIS SURFACE. THE P/N CAN BE OMITTED IF THERE IS NOT ENOUGH SPACE ON THIS SURFACE.
- 5. PRODUCT SPECIFICATION GS-12-149.
APPLICATION SPECIFICATION BUS-20-067.
- 6. PACKAGED IN TRAYS.
PCB NOTES:
7. ALL HOLE DIAMETERS ARE FINISHED HOLE SIZE.
- 8 MOUNTING HOLES, WHERE APPLICABLE, ARE UNPLATED.
- 9 $\varnothing 1.151 \pm 0.025$ DRILLED HOLES PLATED WITH
0.008 MIN SnPb OR Sn OVER 0.03
TO 0.08 Cu PLATING TO ACHIEVE
 $\varnothing 1.02 \pm 0.07$ HOLE.
- 10 "DIM XXX" TO BE DETERMINED BY THE CUSTOMER.
- 11 CONNECTOR KEEP-OUT ZONE.
- 12. A  SYMBOL WILL BE NEXT TO ANY DIMENSION, VIEW, OR NOTE WHICH HAS BEEN MODIFIED WITH THE CURRENT DRAWING REVISION.

A

B

C

D

A

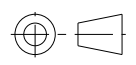

B

C

D



Copyright FCI.

dr	Ruan MT	2014/04/10	projection 	MM 	size	A4	scale	1:1
eng	De-Ming Lu	2014/05/27			ecn no	ELX-DG-17791-1		
chr	-	-			product family	PwrBlade	rel level	Released
appr	Pei-Ming Zheng	2014/05/27	FCI		title	5DCP+20S		rev
www.fci.com			cat. no.	-	Product - Customer Drw	sheet 4 of 4	dwg no	51940-531
								B