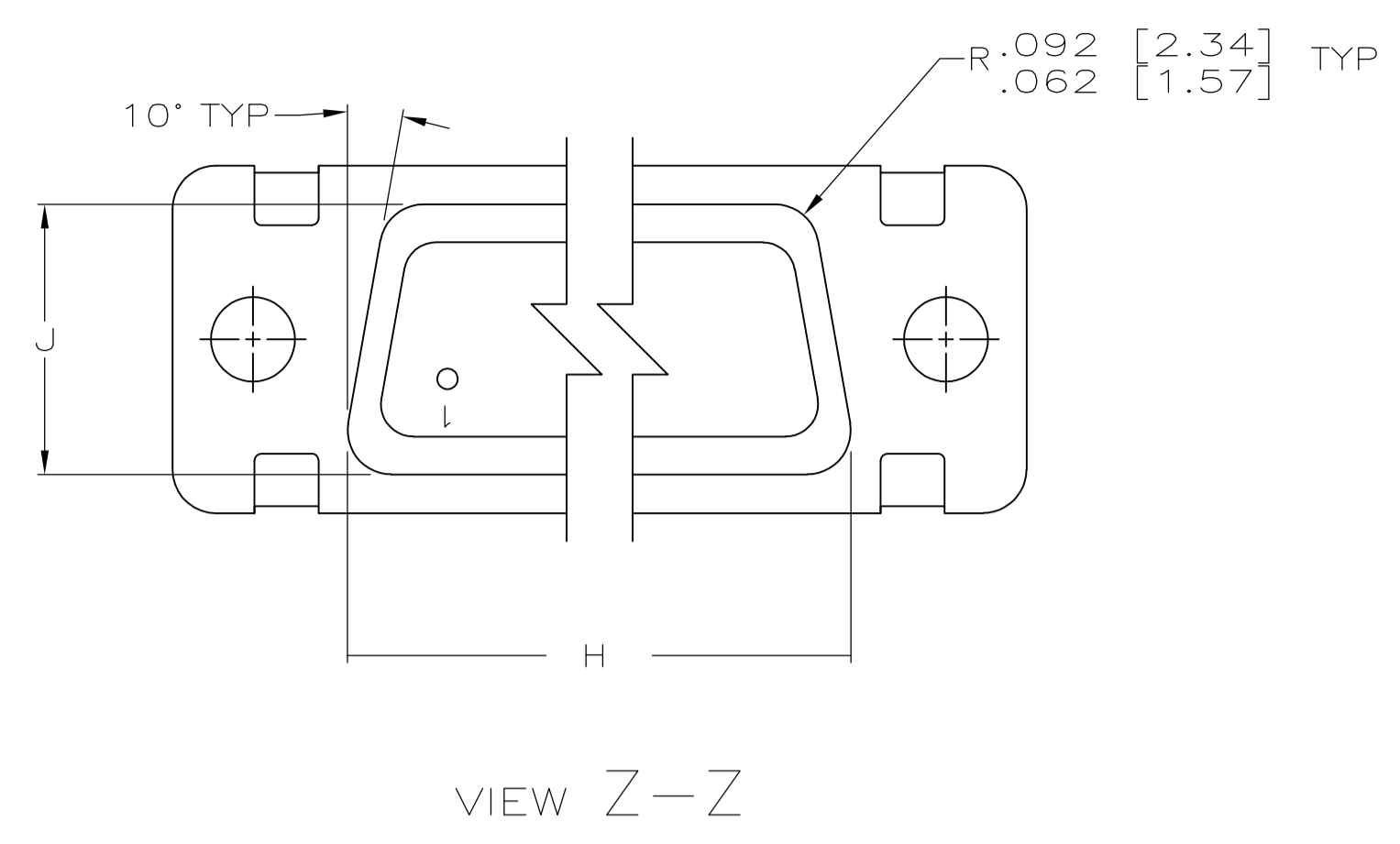
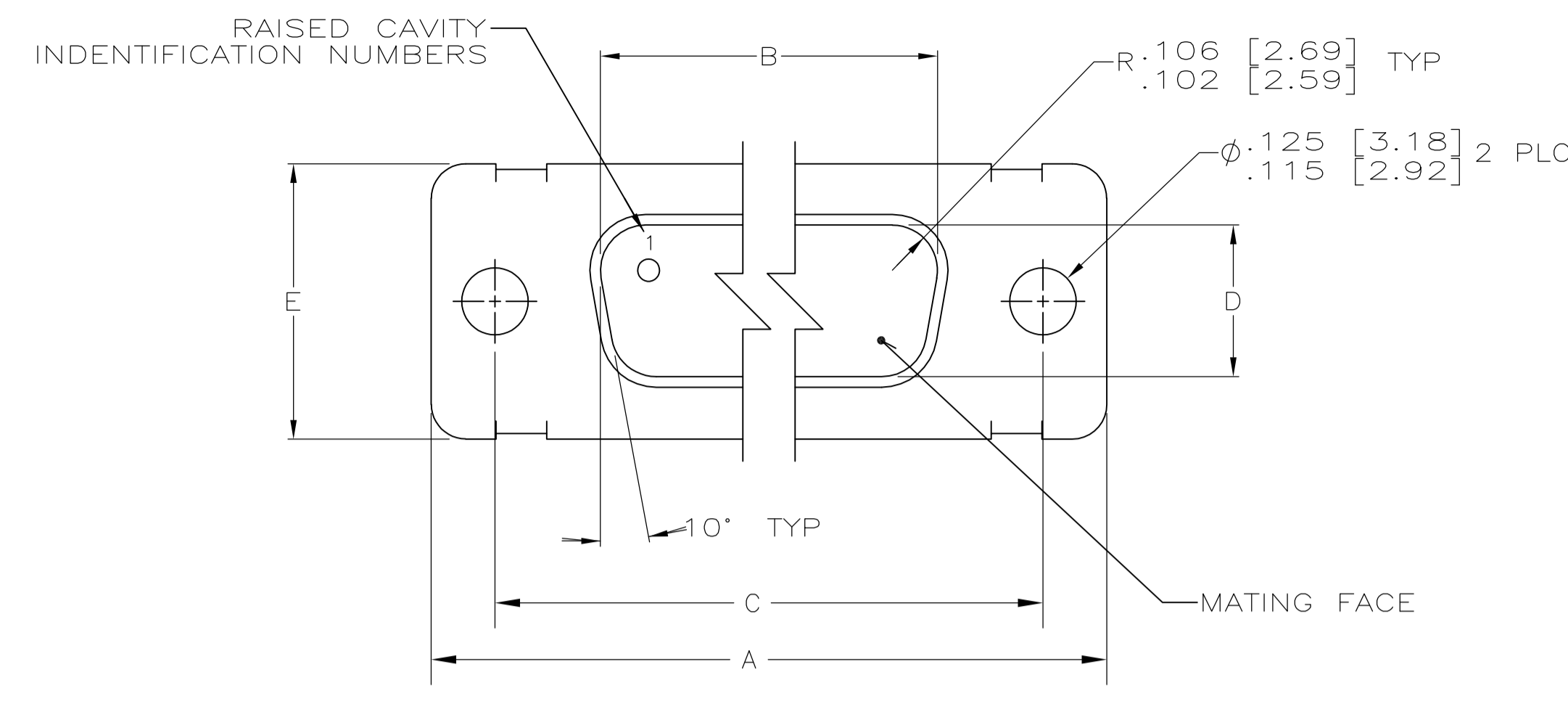
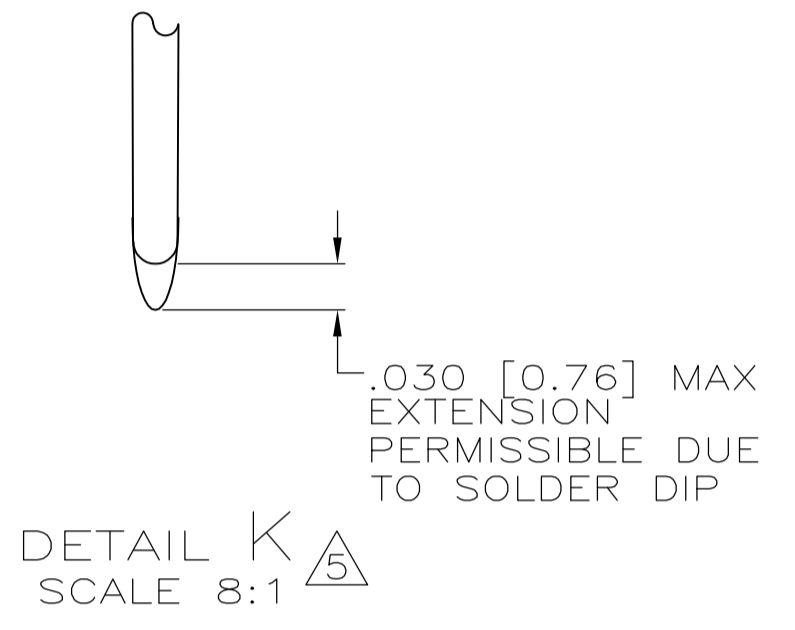
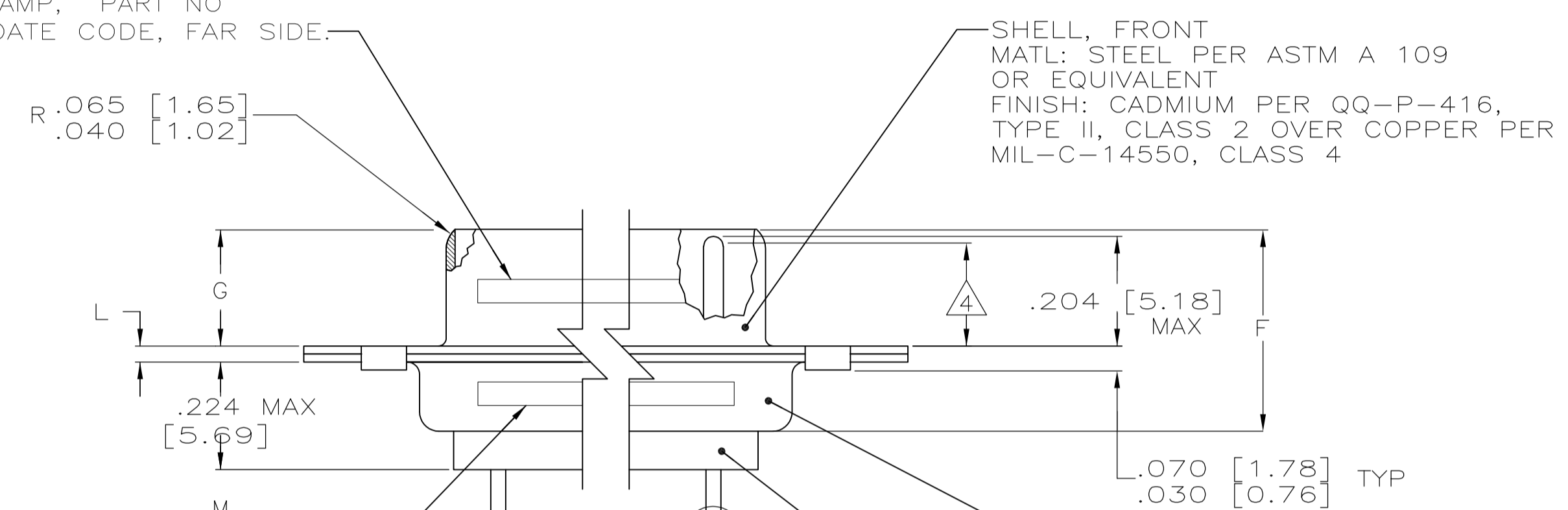


REVISONS		DATE	BY	APPV
E1	REVISED PER ECO-11-005030	11MAR11	RK	HMR

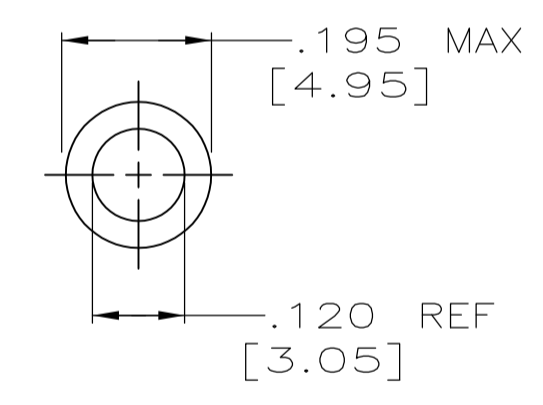


- 1 SEE SHEET 2 FOR RECOMMENDED P.C. BOARD LAYOUT. TRUE POSITION TOLERANCE FOR P.C. BOARD LAYOUT IS .010 [0.25] AT MAX MATERIAL CONDITION. SUGGESTED BOARD THICKNESS IS .094 [2.39]
- 2 THE CONNECTORS DESCRIBED IN THIS DOCUMENT MEET THE REQUIREMENTS OF MIL-C-24308 AND MATE WITH ANY RECEPTACLE CONNECTOR WITH SAME INSERT ARRANGEMENT.
- 3 MARK WITH .047 [1.19]-.062 [1.57] HIGH CHARACTERS. FAR SIDE REFERS TO THE WIDE SIDE OF THE KEYSTONE. NEAR SIDE REFERS TO THE NARROW SIDE OF THE KEYSTONE. IF THE REAR SHELL IS TOO SMALL FOR THE ENTIRE MILITARY PART NUMBER, MARKING SHALL BE LOCATED AS FOLLOWS:
 - A. "M24308" ON FRONT SHELL, FAR SIDE.
 - B. SLASH SHEET AND DASH NUMBER ON REAR SHELL, FAR SIDE.
 - C. "AMP" AND DATE CODE ON FRONT SHELL, NEAR SIDE.
 - D. PART NUMBER ON REAR SHELL, NEAR SIDE.
 IF THE FRONT SHELL IS TOO SMALL FOR "AMP", PART NUMBER AND DATE CODE, THEN SPLIT AS FOLLOWS:
 - A. PART NUMBER ON REAR SHELL, NEAR SIDE.
 - B. "AMP" AND DATE CODE ON FRONT SHELL, NEAR SIDE.
 - C. MILITARY PART NUMBER ON REAR SHELL, FAR SIDE.

3 MARK AMP, PART NO AND DATE CODE, FAR SIDE.



3 MARK MILITARY PART NO. FAR SIDE



SPACER
MATERIAL: ALUMINUM ALLOY PER ASTM B 211
FINISH: IRIDITE PER MIL-C-5541, CLASS 3, COLOR GOLD

SHELL, FRONT
MATERIAL: STEEL PER ASTM A 109 OR EQUIVALENT
FINISH: CADMIUM PER QQ-P-416, TYPE II, CLASS 2 OVER COPPER PER MIL-C-14550, CLASS 4

SHELL, REAR
MATERIAL: STEEL PER ASTM A 109 OR EQUIVALENT
FINISH: CADMIUM PER QQ-P-416, TYPE II, CLASS 2 OVER COPPER PER MIL-C-14550, CLASS 4

INSERT ASSEMBLY
MATERIAL: POLYPHENYLENE SULFIDE (PPS) PER MIL-M-24519, TYPE: GST-40F OR POLYESTER PER MIL-M-24519, TYPE: GLCP-30F OR PPS PER ASTM D4067, COLOR, BLACK

CONTACT
MATERIAL: BRASS ALLOY PER ASTM B 16, OR BERYLLIUM COPPER 173, 1/2 HARD PER ASTM-B-197.
FINISH: GOLD PER MIL-G-45204, TYPE II, GRADE C, CLASS 1 OVER NICKEL PER QQ-N-290, .000050 MIN THICK

N	M	L	J	H	G	F	E	D	C	B	A	INSERT ARRANGEMENT	NO OF POS	SHELL SIZE	MILITARY P/N ON CONNECTOR	P/N ON CONNECTOR	PART NUMBER
		.049 [1.24] .029 [0.74]	.544 [13.82] .524 [13.31]	2.188 [55.58] 2.168 [55.07]	.236 [5.99] .224 [5.69]	.436 [11.07] .416 [10.57]	.620 [15.75] .590 [14.99]	.446 [11.33] .436 [11.07]	2.411 [61.24] 2.401 [60.99]	2.084 [52.93] 2.074 [52.68]	2.650 [67.31] 2.620 [66.55]	MS18277-1	50	5	M24308/24-5F	1218124-5	1-1218124-0
		.049 [1.24] .029 [0.74]	.432 [10.97] .412 [10.46]	1.635 [41.53] 1.093 [27.76] 2.262 [57.45]	.238 [6.05] .229 [5.82]	.432 [10.97] .412 [10.46]	.509 [12.93] .479 [12.17]	.334 [8.48] .324 [8.23]	2.505 [63.63] 2.495 [63.37]	2.187 [55.55] 2.177 [55.30]	2.744 [69.70] 2.714 [68.94]	MS18276-1	37	4	M24308/24-4F	1218124-4	1218124-9
		.040 [1.02] .020 [0.51]	.432 [10.97] .412 [10.46]	1.615 [41.02] 1.093 [27.76] 1.073 [27.25]	.238 [6.05] .229 [5.82]	.432 [10.97] .412 [10.46]	.509 [12.93] .479 [12.17]	.334 [8.48] .324 [8.23]	1.857 [47.17] 1.307 [33.20]	1.539 [39.09] .999 [25.37]	2.103 [53.42] 2.073 [52.65]	MS18275-1	25	3	M24308/24-3F	1218124-3	1218124-8
		.040 [1.02] .020 [0.51]	.432 [10.97] .412 [10.46]	1.615 [41.02] 1.093 [27.76] 1.073 [27.25]	.238 [6.05] .229 [5.82]	.432 [10.97] .412 [10.46]	.509 [12.93] .479 [12.17]	.334 [8.48] .324 [8.23]	1.847 [46.91] 1.307 [33.20]	1.529 [38.84] .999 [25.37]	2.103 [53.42] 1.526 [38.76]	MS18274-1	15	2	M24308/24-2F	1218124-2	1218124-7
		.040 [1.02] .020 [0.51]	.432 [10.97] .412 [10.46]	1.615 [41.02] 1.093 [27.76] 1.073 [27.25]	.238 [6.05] .229 [5.82]	.432 [10.97] .412 [10.46]	.509 [12.93] .479 [12.17]	.334 [8.48] .324 [8.23]	1.847 [46.91] 1.307 [33.20]	1.529 [38.84] .999 [25.37]	2.103 [53.42] 1.526 [38.76]	MS18273-1	9	1	M24308/24-1F	1218124-1	1218124-6
		.049 [1.24] .029 [0.74]	.544 [13.82] .524 [13.31]	2.188 [55.58] 2.168 [55.07]	.236 [5.99] .224 [5.69]	.436 [11.07] .416 [10.57]	.620 [15.75] .590 [14.99]	.446 [11.33] .436 [11.07]	2.411 [61.24] 2.401 [60.99]	2.084 [52.93] 2.074 [52.68]	2.650 [67.31] 2.620 [66.55]	MS18277-1	50	5	M24308/24-5F	1218124-5	1218124-5
		.049 [1.24] .029 [0.74]	.432 [10.97] .412 [10.46]	1.635 [41.53] 1.093 [27.76] 2.262 [57.45]	.236 [5.99] .224 [5.69]	.436 [11.07] .416 [10.57]	.620 [15.75] .590 [14.99]	.446 [11.33] .436 [11.07]	2.505 [63.63] 2.495 [63.37]	2.187 [55.55] 2.177 [55.30]	2.744 [69.70] 2.714 [68.94]	MS18276-1	37	4	M24308/24-4F	1218124-4	1218124-4
		.040 [1.02] .020 [0.51]	.432 [10.97] .412 [10.46]	1.615 [41.02] 1.093 [27.76] 1.073 [27.25]	.236 [5.99] .224 [5.69]	.436 [11.07] .416 [10.57]	.620 [15.75] .590 [14.99]	.446 [11.33] .436 [11.07]	1.857 [47.17] 1.307 [33.20]	1.539 [39.09] .999 [25.37]	2.103 [53.42] 2.073 [52.65]	MS18275-1	25	3	M24308/24-3F	1218124-3	1218124-3
		.040 [1.02] .020 [0.51]	.432 [10.97] .412 [10.46]	1.615 [41.02] 1.093 [27.76] 1.073 [27.25]	.236 [5.99] .224 [5.69]	.436 [11.07] .416 [10.57]	.620 [15.75] .590 [14.99]	.446 [11.33] .436 [11.07]	1.847 [46.91] 1.307 [33.20]	1.529 [38.84] .999 [25.37]	2.103 [53.42] 1.526 [38.76]	MS18274-1	15	2	M24308/24-2F	1218124-2	1218124-2
		.040 [1.02] .020 [0.51]	.432 [10.97] .412 [10.46]	1.615 [41.02] 1.093 [27.76] 1.073 [27.25]	.236 [5.99] .224 [5.69]	.436 [11.07] .416 [10.57]	.620 [15.75] .590 [14.99]	.446 [11.33] .436 [11.07]	1.847 [46.91] 1.307 [33.20]	1.529 [38.84] .999 [25.37]	2.103 [53.42] 1.526 [38.76]	MS18273-1	9	1	M24308/24-1F	1218124-1	1218124-1

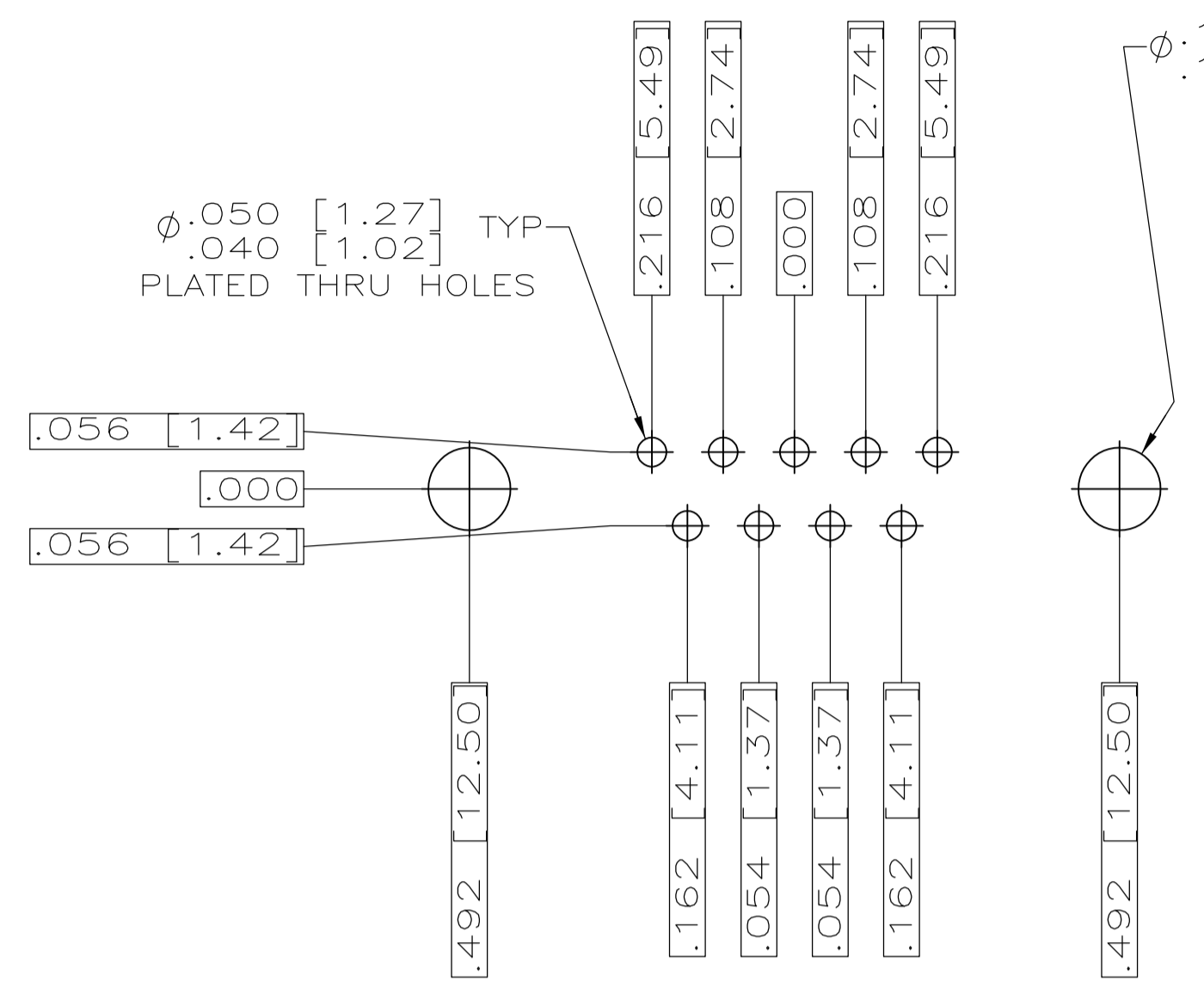
THIS DRAWING IS A CONTROLLED DOCUMENT.

APPROVED: YEAGER 30DEC97
CHECKED: G. OYER 30DEC97
DRAWN BY: WYNKOOP 30DEC97

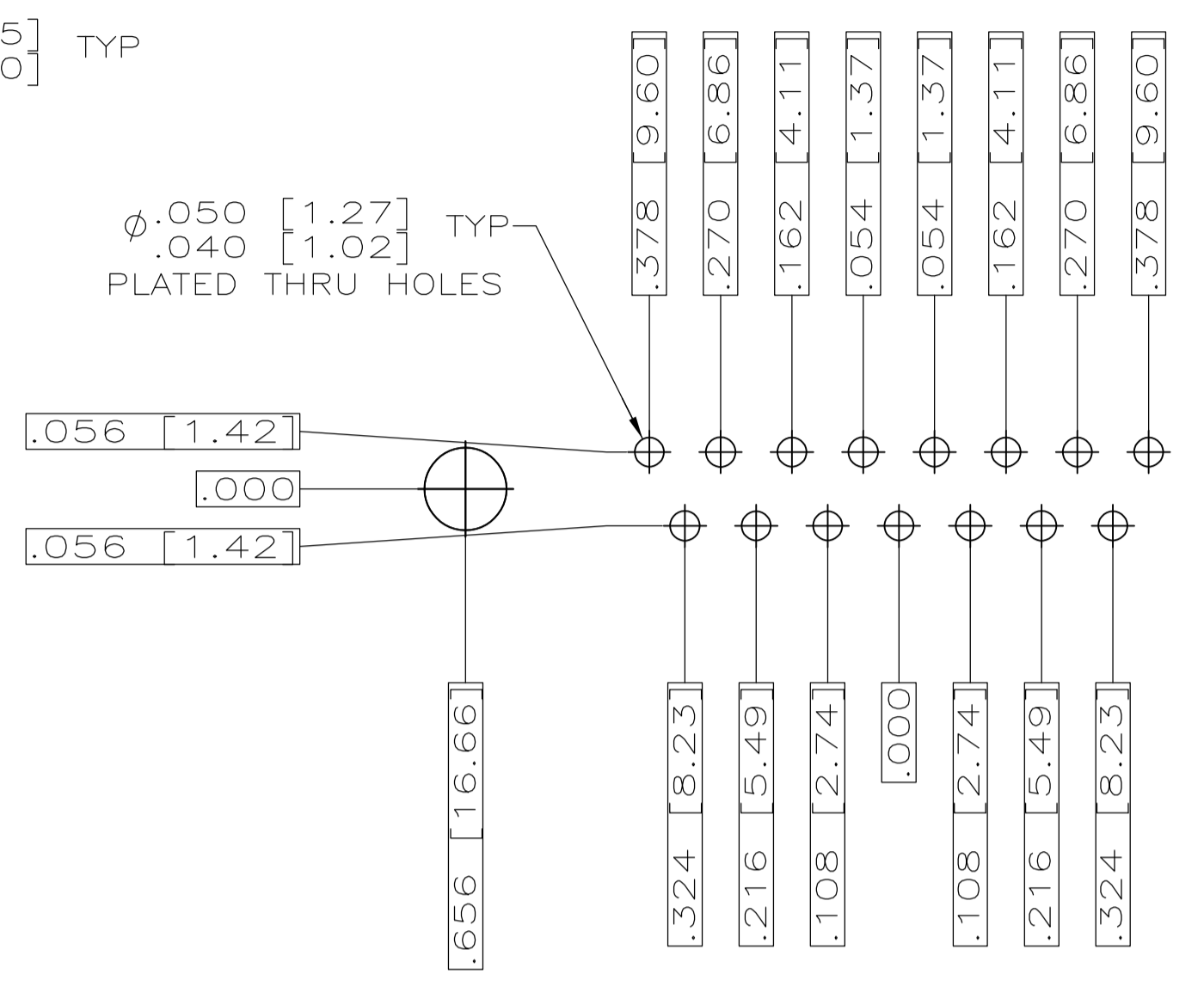
NAME: AMPLIMITE PLUG ASSY, LOW PROFILE SIZE 20 POSTED, .030 DIA SHORT POST SERIES 109, SHELL SIZES 1 THRU 5

SIZE: A1
CAGE CODE: 00779
DRAWING NO: 1218124

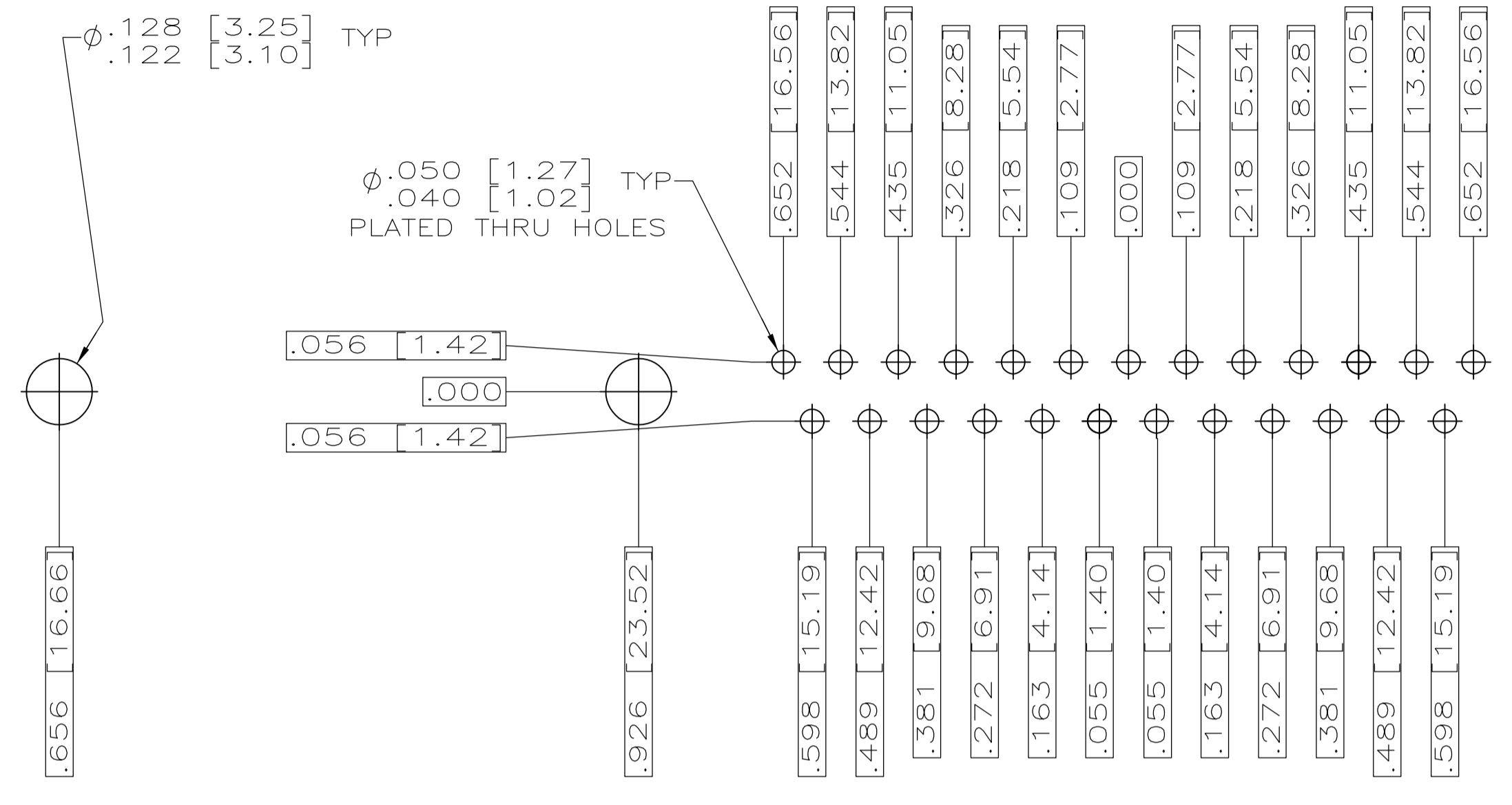
SCALE: 4:1 SHEET 1 OF 2 REV E1



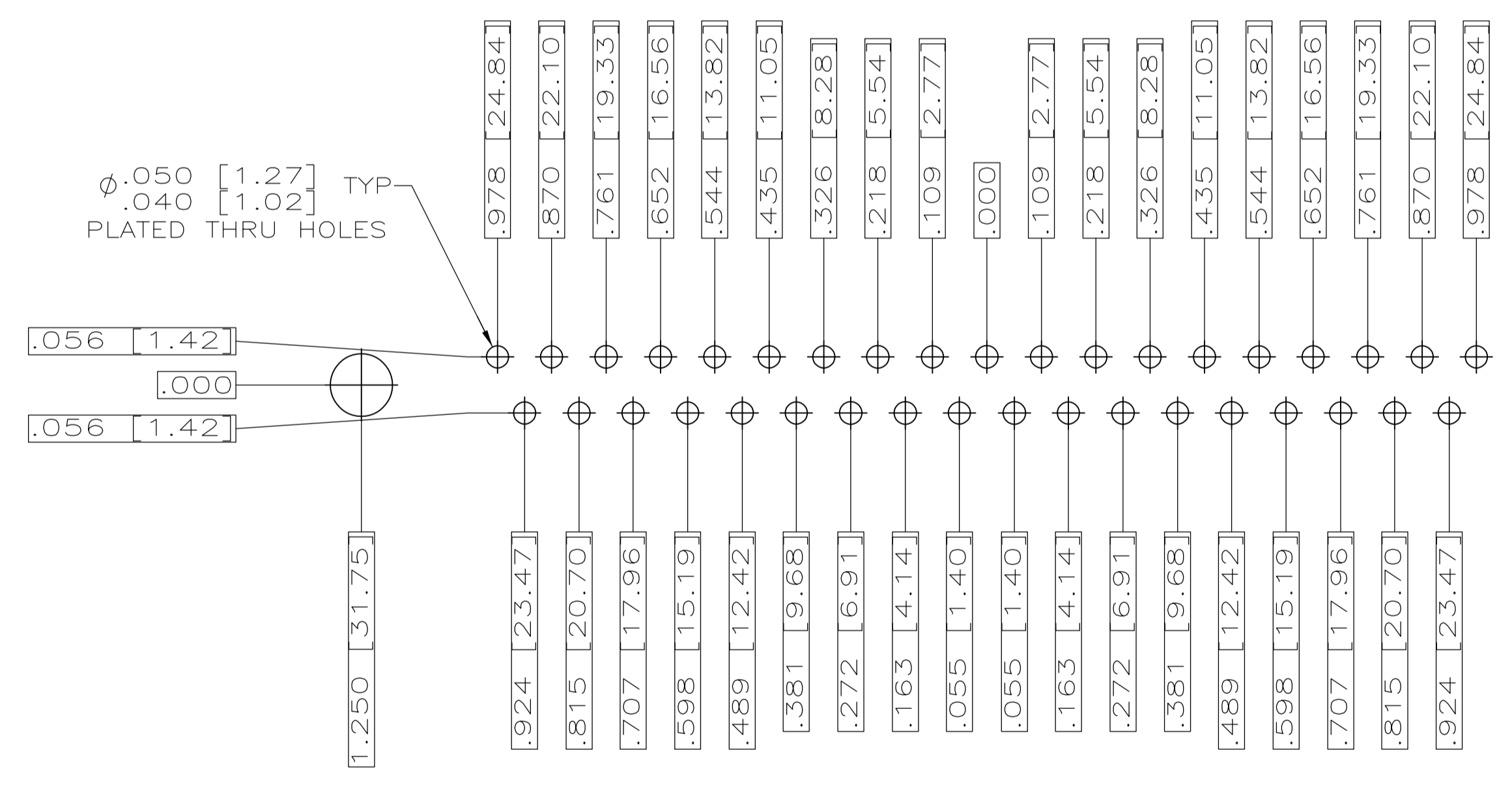
RECOMMENDED P.C. BOARD LAYOUT
SHELL SIZE 1 (9 POSITION) ⚠



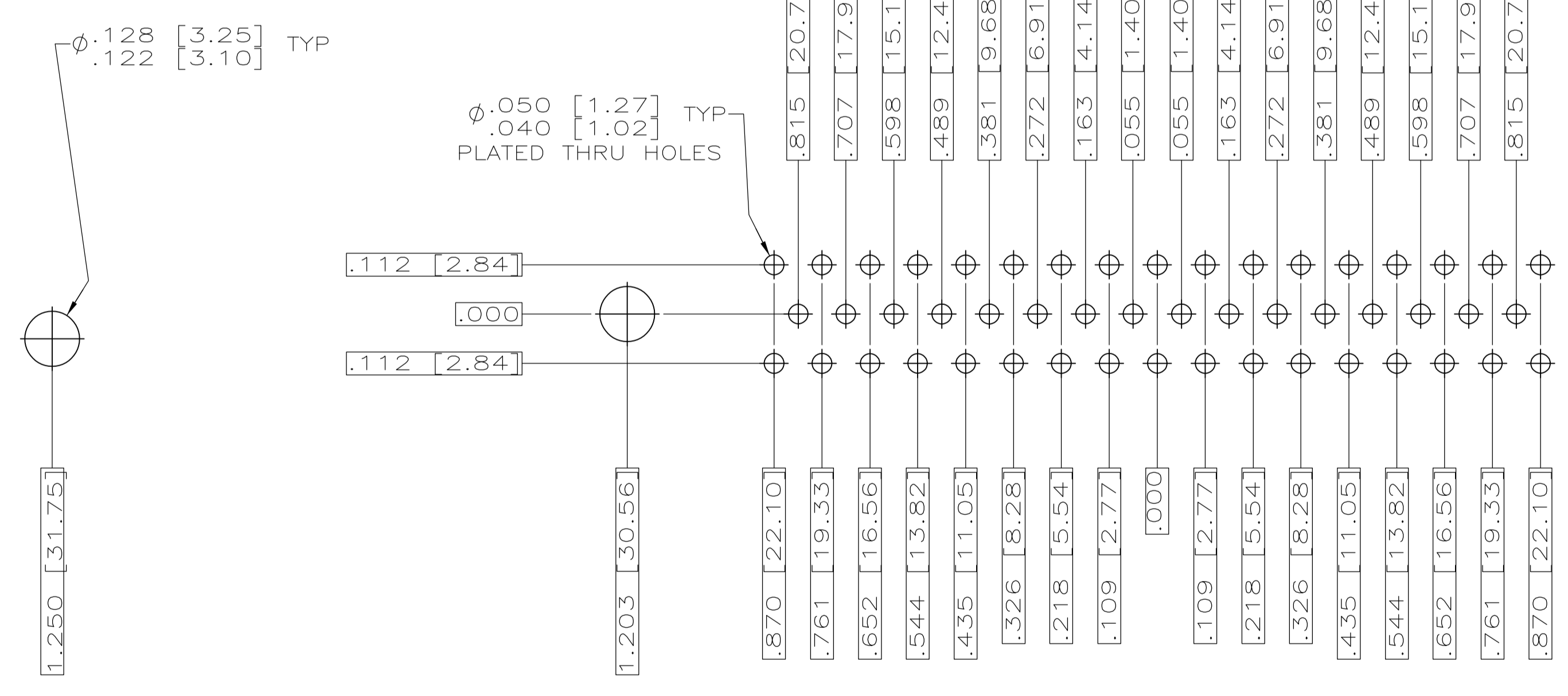
RECOMMENDED P.C. BOARD LAYOUT
SHELL SIZE 2 (15 POSITION) ⚠



RECOMMENDED P.C. BOARD LAYOUT
SHELL SIZE 3 (25 POSITION) ⚠



RECOMMENDED P.C. BOARD LAYOUT
SHELL SIZE 4 (37 POSITION) ⚠



RECOMMENDED P.C. BOARD LAYOUT
SHELL SIZE 5 (50 POSITION) ⚠

THIS DRAWING IS A CONTROLLED DOCUMENT.		DIN P. YEAGER 30DEC97	TE Connectivity
DIMENSIONS: INCHES		CHK G. OVER 30DEC97	
TOLERANCES UNLESS OTHERWISE SPECIFIED:		APVD G. OVER 30DEC97	NAME
0. PLC	±.005	PRODUCT SPEC	AMPLIMITE PLUG ASSY, LOW PROFILE
1. PLC	±.005	APPLICATION SPEC	SIZE 20 POSTED P.C. BOARD CONTACTS,
2. PLC	±.005	RESTRICTED TO	.030 DIA SHORT POST, SERIES 109,
3. PLC	±.005	SIZE	A1
4. PLC	±.005	WEIGHT	000779
FINISH		DRAWING NO	1218124
		CUSTOMER DRAWING	SCALE 4:1 SHEET 2 OF 2 REV E1