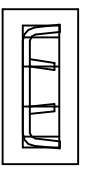
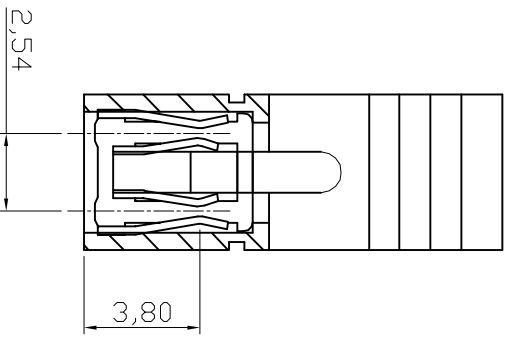
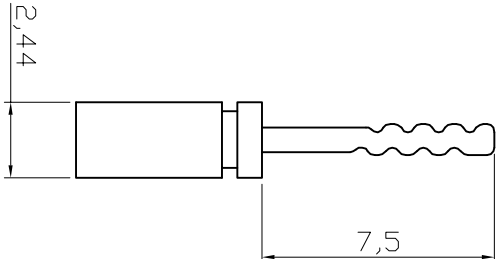
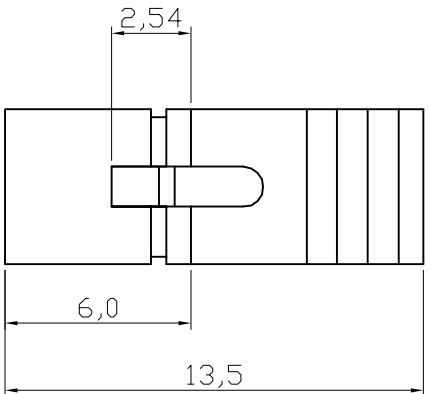


1	2	3	4	5	6	7
---	---	---	---	---	---	---



- NOTES:**
1. Insulation: Nylon 66, UL94V-0
 2. Contact : Brass
 3. Plated: Gold Flash Plated Over Nickel
 4. Current Rating: 3A Max
 5. Dielectric Voltage: 1000V rms / 1 minute
 6. Insulation Resistance: 1000M ohm Min.
 7. Contact Resistance: 30m ohm Max.
 8. Operating and Storage Temperature: -40°C ~ +105°C
 9. Mating Cycles: 10 Min.

⑤ AKSPLTx BLACK& AKSPLTx RED

Contact Area Plating:
G: Gold Flash
Z: Tinned

RoHS compliant
Unit:mm

Scale	Free												
TOLERANCE													
.X	±0.38	⑤	Add the order code: AKSPLTx RED	13.01.2014	Winnie	Drawn	21.03.2007	Hellwig	Customer-No.				
.XX	±0.25	④	Order code correction	07.01.2014	Winnie	Approved	07.01.2014	Winnie	ASSMANN WSW-No.	④ AKSPLTx BLACK			
.XXX	±0.13	③	Update	07.06.2013	Winnie				⑤ AKSPLTx RED				
DIM	TOL	②	Update	27.07.2009	Rate				Drawing-No.				
X.°	±1°								ASS 0327 CO				
Angle	TOL	①	RoHS compliant added	21.03.2007	Hellwig				Replace				
UNIT	mm	Id.	Modification	Date	Name								



1	2	3	4	5	6	7
---	---	---	---	---	---	---

rev05
SHEET

H

G

F

E

D

C

B

A