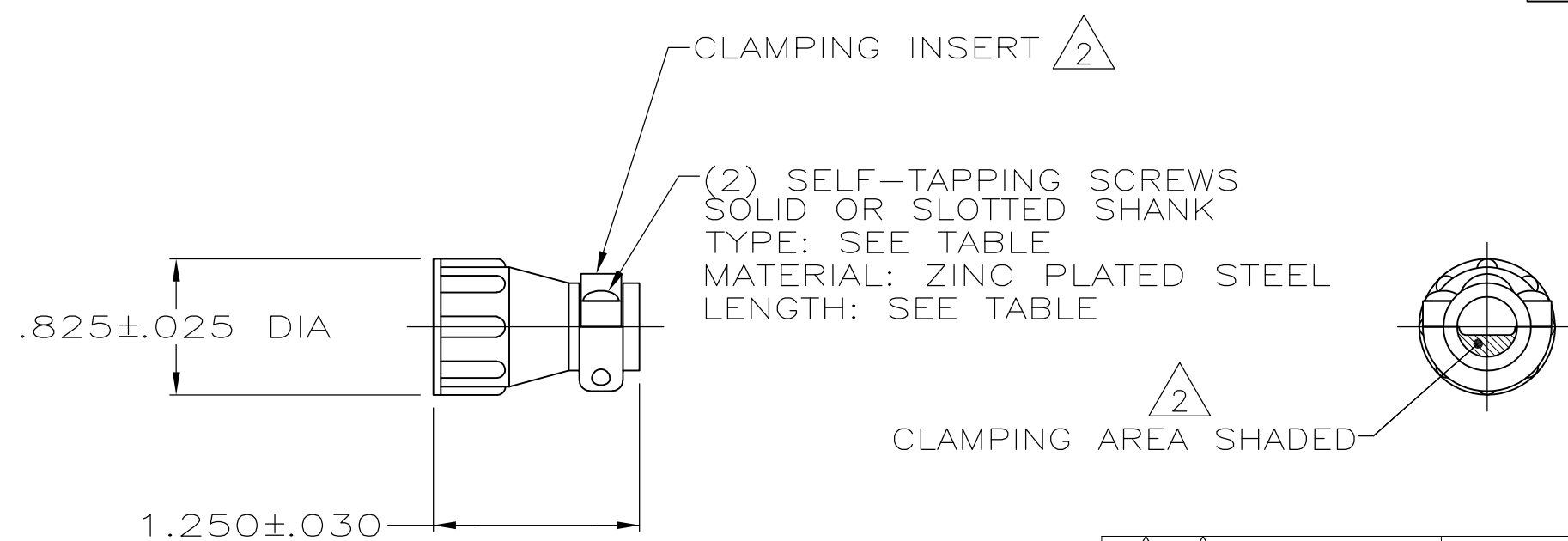


THIS DRAWING IS UNPUBLISHED. RELEASED FOR PUBLICATION  
 © COPYRIGHT - By - ALL RIGHTS RESERVED.

| LOC | DIST | REVISIONS |     |                           |         |     |      |
|-----|------|-----------|-----|---------------------------|---------|-----|------|
|     |      | P         | LTR | DESCRIPTION               | DATE    | DWN | APVD |
| -   | -    |           | V   | REVISED PER ECO-13-000071 | 03JAN12 | KH  | MZ   |



- 1 PARTS PACKAGED UNASSEMBLED.
- 2 CABLE CLAMPING AREA ADJUSTABLE FROM .004 TO .055 SQ IN BY REVERSING CLAMPING INSERTS.
- 3 .329 MAXIMUM CABLE OUTSIDE DIAMETER.
- 4 BULK PACKAGED KITS TO BE ORDERED IN MULTIPLES OF 800 ONLY.
- 5 OBSOLETE PART NUMBER.
- 6 STAINLESS STEEL (NON MAGNATIC).
- 7 CABLE CLAMP WITH NON-MAGNETIC STAINLESS STEEL SCREWS.
- 8 ZINC PLATED STEEL, NON-HEXAVALENT CHROMATE.
- 9 OBSOLETE PARTS: OBSOLETE CIS STREAMLINING PER D.RENAUD/D.SINISI

|                                       |                         |                                       |            |                       |
|---------------------------------------|-------------------------|---------------------------------------|------------|-----------------------|
| <sup>7</sup> / <sub>4</sub> BULK      | <sup>6</sup>            | .50 <sup>±.00</sup> / <sub>±.05</sub> | #5-20      | 1-206062-9            |
| <sup>4</sup> BULK                     | <sup>8</sup>            | .50 <sup>±.00</sup> / <sub>±.05</sub> | #5-20      | 1-206062-7            |
| INDIVIDUAL                            | <sup>8</sup>            | .38 <sup>±.00</sup> / <sub>±.05</sub> | #5-20      | 1-206062-6            |
| <sup>4</sup> BULK                     | <sup>8</sup>            | .38 <sup>±.00</sup> / <sub>±.05</sub> | #5-20      | 1-206062-5            |
| INDIVIDUAL                            | <sup>8</sup>            | .50 <sup>±.00</sup> / <sub>±.05</sub> | #5-20      | 1-206062-4            |
| INDIVIDUAL                            | <sup>8</sup>            | .62 <sup>±.00</sup> / <sub>±.05</sub> | #5-20      | 1-206062-3            |
| <sup>7</sup> INDIVIDUAL               | <sup>6</sup>            | .50 <sup>±.00</sup> / <sub>±.05</sub> | #5-20      | 1-206062-2            |
| <sup>7</sup> SUPERSEDED BY 1-206062-3 | <sup>8</sup> INDIVIDUAL | .62 <sup>±.00</sup> / <sub>±.05</sub> | #5-20      | 1-206062-1            |
| <sup>9</sup> OBSOLETE                 | <sup>8</sup> SMALL PACK | .38 <sup>±.00</sup> / <sub>±.05</sub> | #5-20      | 1-206062-0            |
| AMP BRAZIL USE ONLY                   | INDIVIDUAL              | 12mm <sup>±.0</sup> / <sub>±.8</sub>  | 3mm-20     | <sup>5</sup> 206062-9 |
| AMP BRAZIL USE ONLY                   | INDIVIDUAL              | 10mm <sup>±.0</sup> / <sub>±.8</sub>  | 3mm-20     | <sup>5</sup> 206062-8 |
| <sup>4</sup> SUPERSEDED BY 1-206062-7 | <sup>8</sup> BULK       | .50 <sup>±.00</sup> / <sub>±.05</sub> | #5-20      | 206062-4              |
| <sup>4</sup> SUPERSEDED BY 1-206062-4 | <sup>8</sup> INDIVIDUAL | .50 <sup>±.00</sup> / <sub>±.05</sub> | #5-20      | 206062-3              |
| <sup>4</sup> SUPERSEDED BY 1-206062-5 | <sup>8</sup> BULK       | .38 <sup>±.00</sup> / <sub>±.05</sub> | #5-20      | 206062-2              |
| <sup>4</sup> SUPERSEDED BY 1-206062-6 | <sup>8</sup> INDIVIDUAL | .38 <sup>±.00</sup> / <sub>±.05</sub> | #5-20      | 206062-1              |
| PACKAGING                             | SCREW FINISH            | SCREW LENGTH                          | SCREW TYPE | PART NUMBER           |

|  |  |   |                   |  |
|--|--|---|-------------------|--|
| THIS DRAWING IS A CONTROLLED DOCUMENT. |  | DWN<br>A GRAFF<br>4/29/91   | TE Connectivity   |  |
|  |  | CHK<br>W.G.LENKER<br>7-22-92  |                   |  |
| DIMENSIONS: INCHES<br>                 |  | TOLERANCES UNLESS OTHERWISE SPECIFIED:<br>0 PLC ± -<br>1 PLC ± -<br>2 PLC ± -<br>3 PLC ± -<br>4 PLC ± -<br>ANGLES ± - |                   | NAME<br>CABLE CLAMP KIT, STANDARD,<br>SHELL SIZE 11, CPC |
| MATERIAL<br>THERMOPLASTIC              |  | FINISH<br>-   |                   |  |
|  |  | APVD<br>-   | PRODUCT SPEC<br>- | RESTRICTED TO<br>-                                       |
|  |  | APPLICATION SPEC<br>-   | WEIGHT<br>-       | SIZE<br>A3   |
|  |  | CUSTOMER DRAWING  |                   | CAGE CODE<br>00779                                       |
|  |  | SCALE<br>NTS  |                   | DRAWING NO<br>C-206062                                   |
|  |  | SHEET<br>1 OF 1   |                   | REV<br>V   |