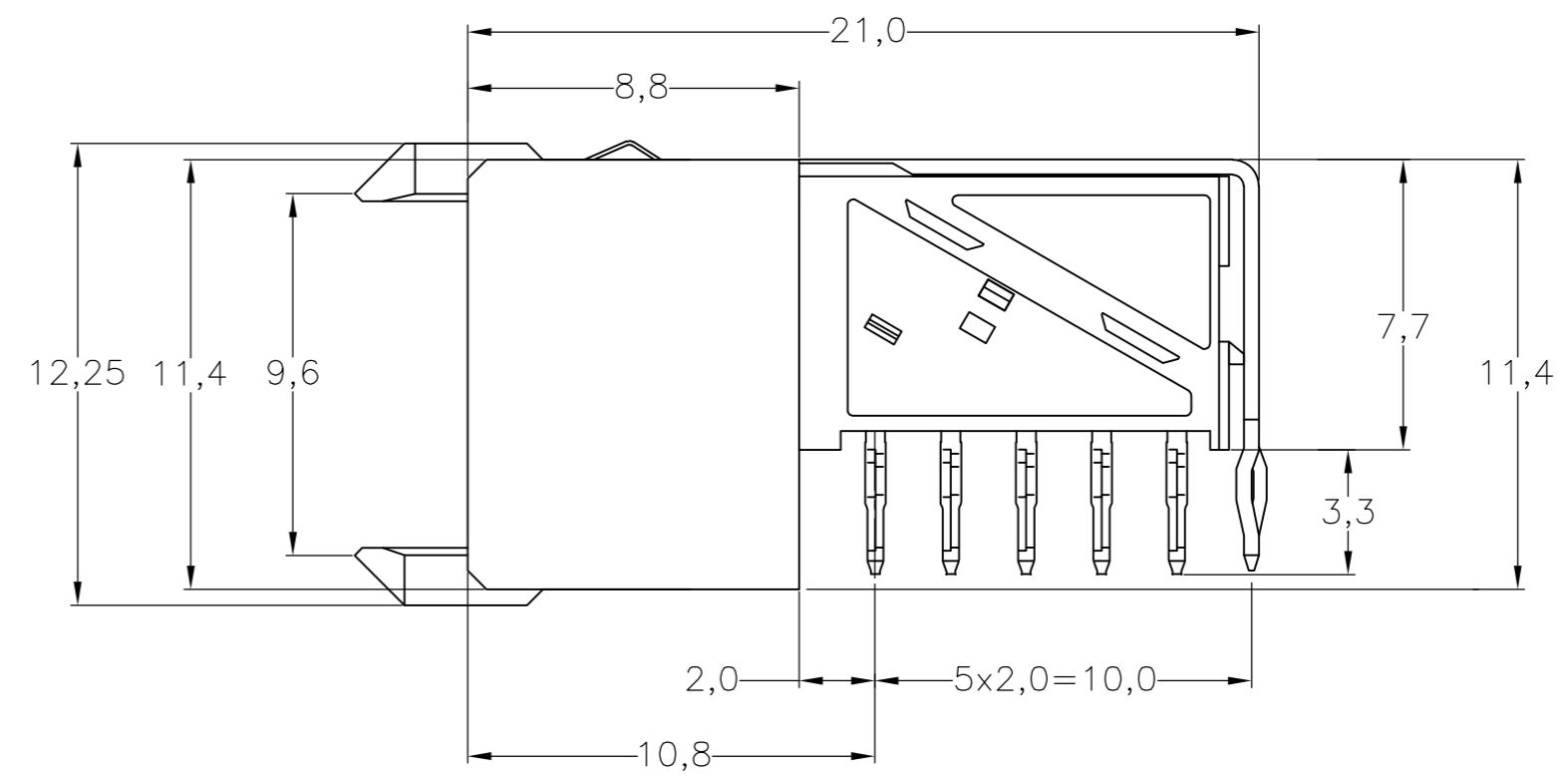
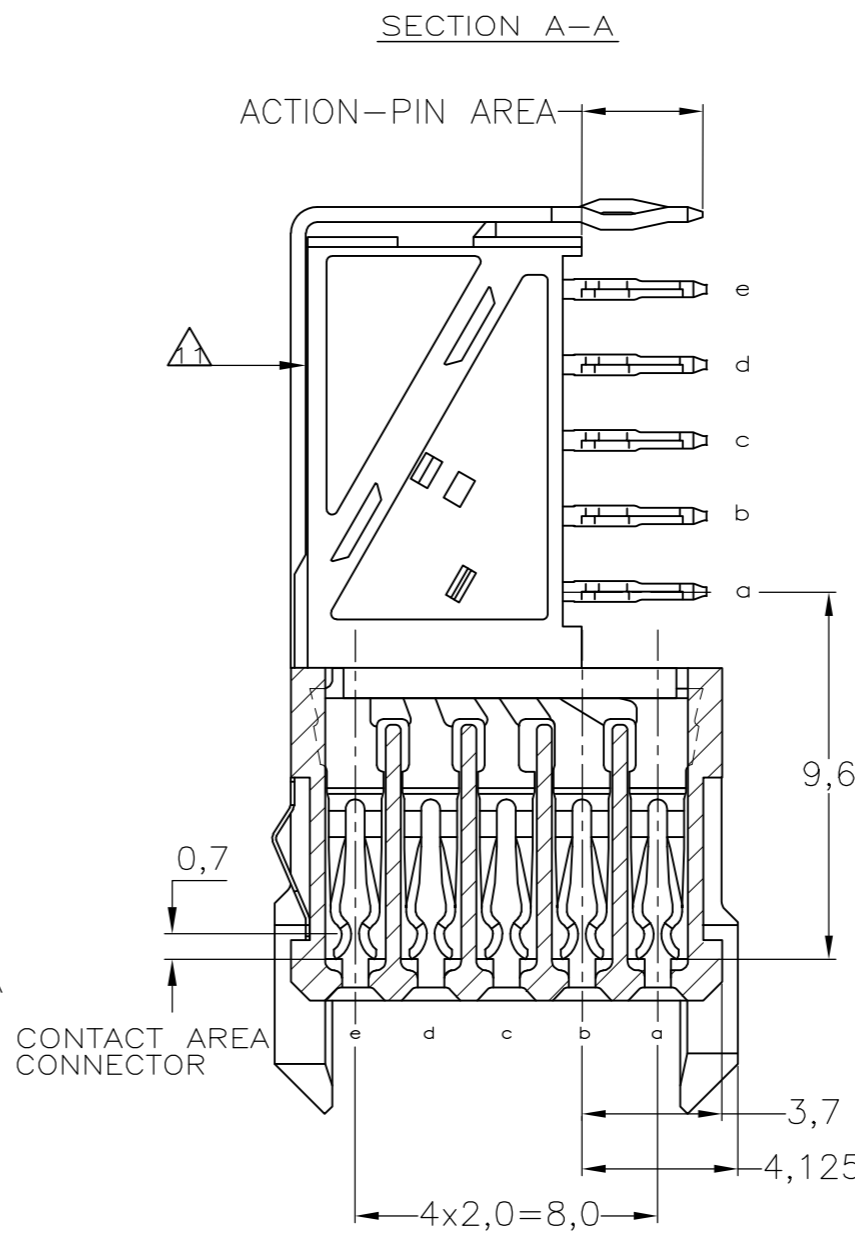
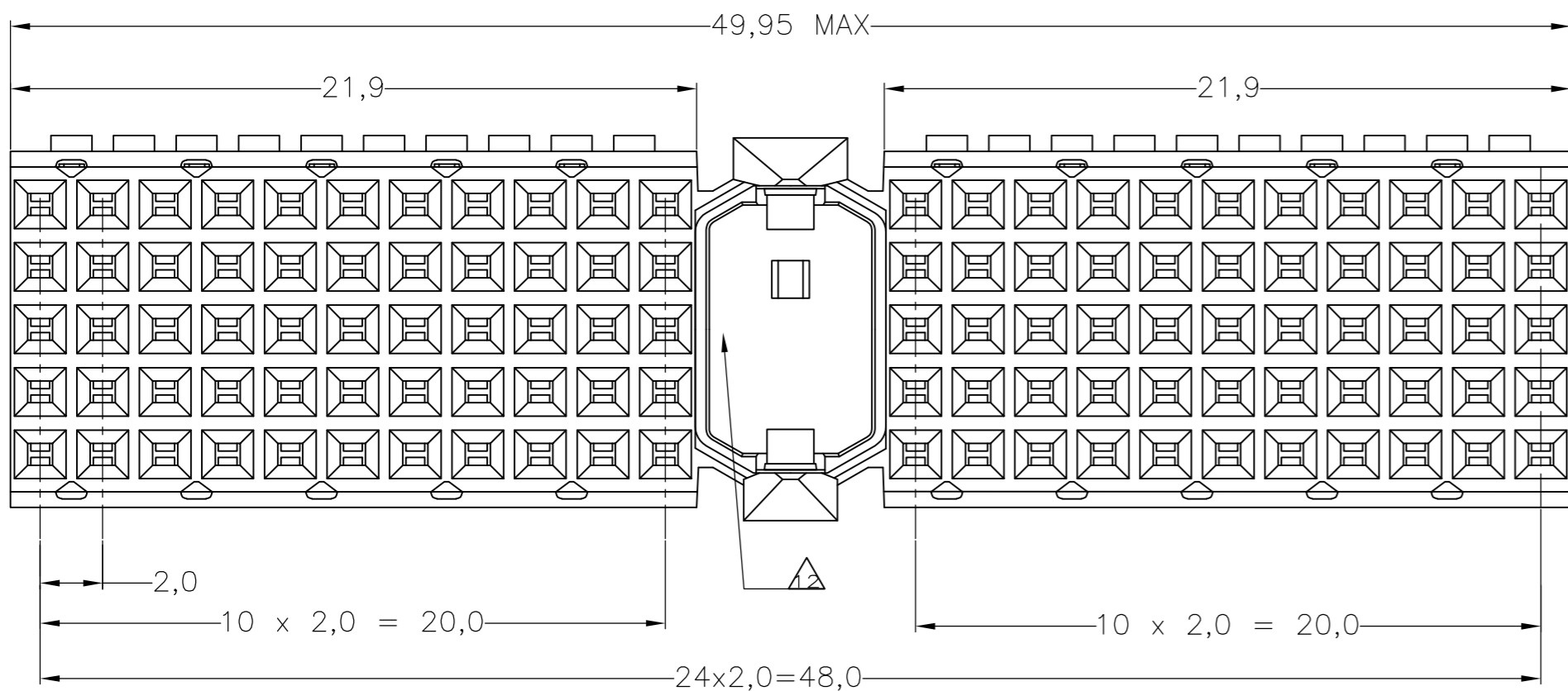
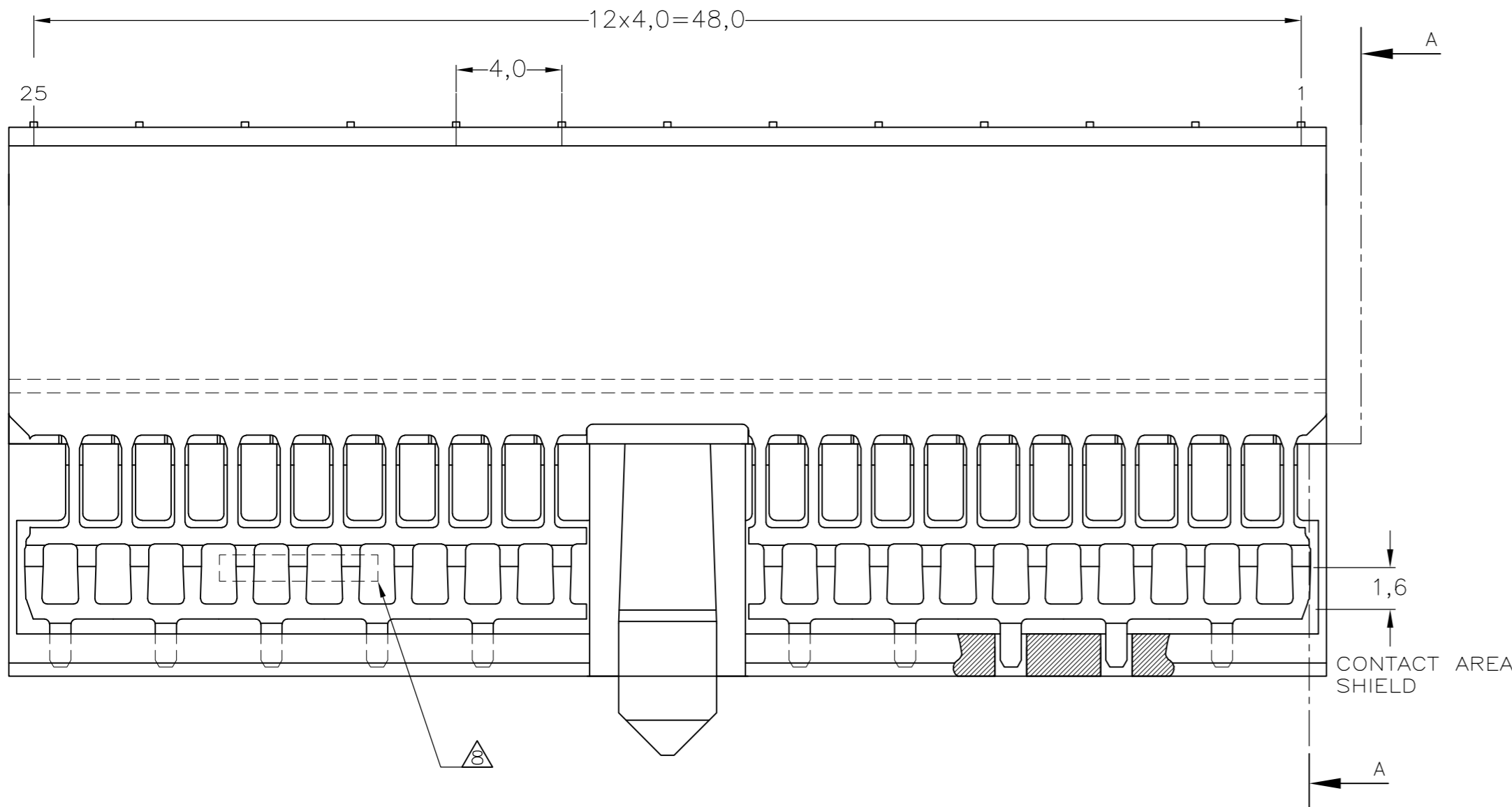


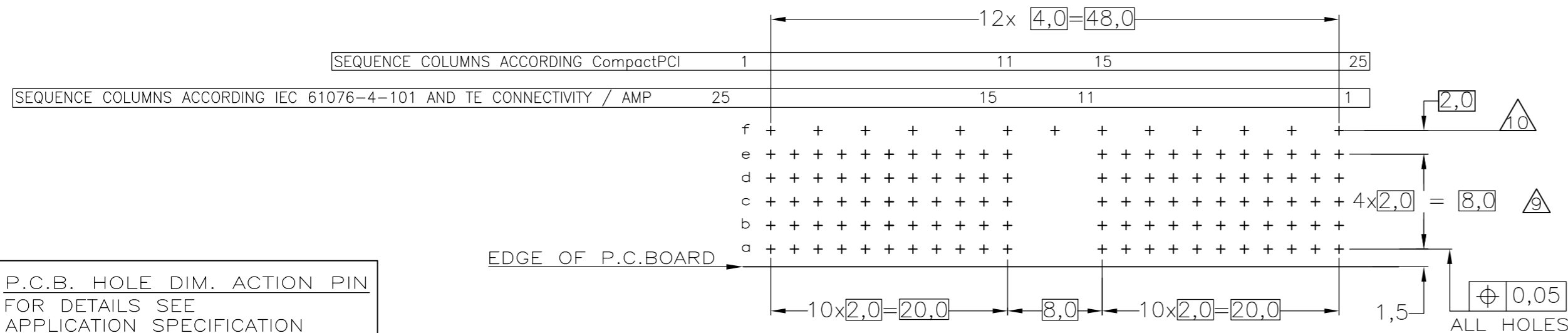
THIS DRAWING IS UNPUBLISHED. RELEASED FOR PUBLICATION  
 © COPYRIGHT - By - ALL RIGHTS RESERVED.

LOC		DIST		REVISIONS			
P	LTR	DESCRIPTION	DATE	DWN	APVD		
J1		REVISED PER ECO-11-005033	26MAR11	RK	HMR		
K		ECO-11-024491	13DEC11	SY	MQW		
L		ECR-12-009867	03DEC12	SY	AC		



- NOTES:
- ⚠ MATERIAL CONTACTS; PHOSPHORBRONZE MATERIAL HOUSING; GLASSFILLED POLYESTER (GRAY)
  - ⚠ GENERAL PLATING SPECIFICATION: UNDERPLATING (ENTIRE CONTACT): 1,27µm NICKEL MIN. AND ACTION PIN: 0,5µm TIN-LEAD MIN. FOR PLATING OF MATING SURFACES SEE APPLICABLE SPECIFICATION REFERENCE FOR EACH DASH NUMBER.
  - ⚠ CONFORMS TO ALL TESTING ACCORDING IEC 61076-4-101 PERFORMANCE LEVEL 2.
  - ⚠ CONFORMS TO ALL TESTING ACCORDING IEC 61076-4-101 PERFORMANCE LEVEL 1.
  - ⚠ CONNECTOR TESTED AND QUALIFIED AGAINST TELCORDIA GR-1217-CORE QUALITY LEVEL III, CENTRAL OFFICE APPLICATIONS.
  - ⚠ CONNECTOR LUBRICATED WITH TELCORDIA GR-1217-CORE APPROVED LUBRICANT.
  - ⚠ PLATING SHIELD: CONTACT AREA: 0,76µm Au MIN. ACTION PIN : 0,5µm SnPb MIN. REMAINDER : Ni
  - ⚠ ASSEMBLY PRINTED WITH P/N AND DATECODE. THE MARKING CAN APPEAR ON THE FRONT SIDE OR BACK SIDE.
  - ⚠ HOLE PATTERN FOR FEMALE CONNECTOR TYPE A 110 PLATED-THROUGH HOLES AT 2x2mm SQUARE GRID
  - ⚠ ROW "f" 13 PLATED THROUGH HOLES FOR UPPERSHIELD
  - ⚠ SHIELD MOUNTED ON CONNECTOR WITH DOUBLE SIDED ADHESIVE TAPE OR ADHESIVE
  - ⚠ AREA RESERVED FOR KEYING PART (BASIC P.N. 100526) 13 BASIC P.N. LOWERSHIELD: 338108
  - ⚠ 0.76µm MIN GOLD PLATING AT MATING SURFACES.

COMPONENT SIDE AS SHOWN  
 RECOMMENDED PCB-HOLE LAY-OUT  
 SCALE 2,5:1



P.C.B. HOLE DIM. ACTION PIN  
 FOR DETAILS SEE  
 APPLICATION SPECIFICATION

OBSOLETE	⚠ ⚠ ⚠ ⚠	⚠	3-352068-0
	⚠ ⚠ ⚠ ⚠	⚠	352068-9
	⚠ ⚠ ⚠	⚠	352068-4
	⚠ ⚠ ⚠	⚠	352068-1
	FINISH	MATERIAL	PARTNUMBER

THIS DRAWING IS A CONTROLLED DOCUMENT.

DIMENSIONS: mm	TOLERANCES UNLESS OTHERWISE SPECIFIED: ±0.2	DWN: D. TRUREN	20JAN97	TE Connectivity	
MATERIAL: -	FINISH: -	CHK: -	APVD: -	Z-PACK 2MM HM	
PRODUCT SPEC: 108-19082		APPLICATION SPEC: 114-19029		TYPE A - 25 COLUMNS	
WEIGHT: -		SCALE: NTS		PRE-SHIELDED RECEPTACLE	
CUSTOMER DRAWING		SHEET: 1 OF 1		DRAWING NO: 00779	
		RESTRICTED TO: -		CAGE CODE: A2	
		SCALE: NTS		DRAWING NO: 352068	
		SHEET: 1 OF 1		REV: L	