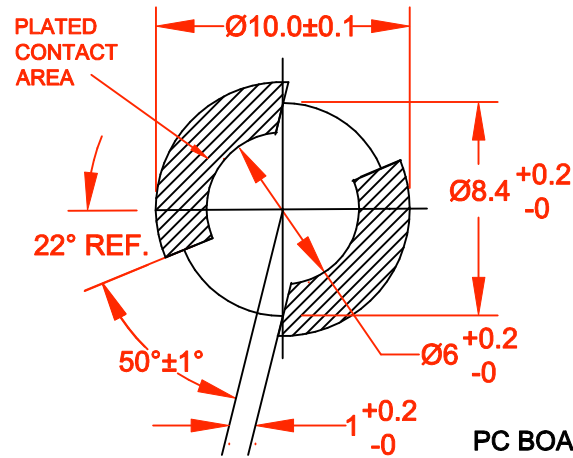
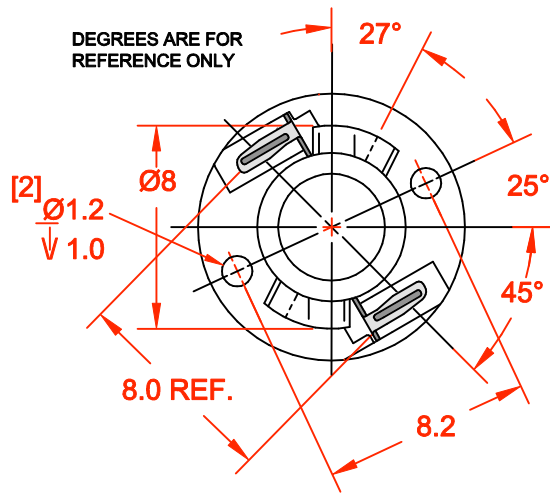
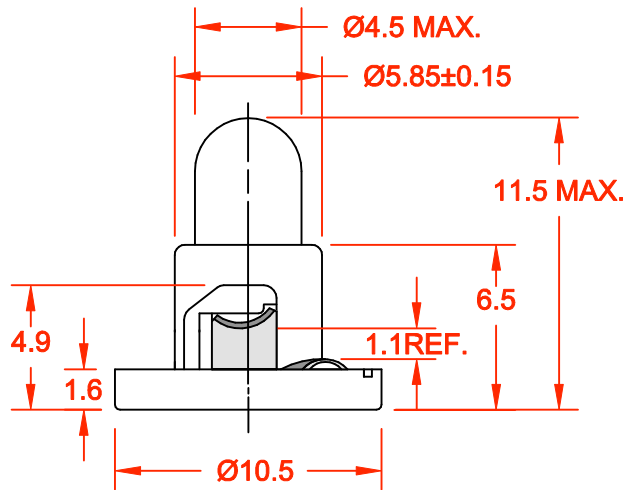


REV.	DESCRIPTION/ECO NO.	DATE
	RELEASED CONVERTED TO CAD	10/16/00



PC BOARD PUNCH PATTERN

(NO TREATMENT, SUCH AS APPLICATION OF FLUX, SHALL BE DONE.)

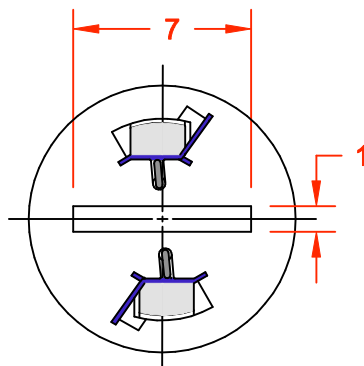


JKL PART NO.: DNW21-DW10/GRA/11.5MM

JKL LAMP NUMBER	VOLTS RATED	AMPS ±10%	*MSCP ±25%	*LUMENS ±25%	AVERAGE LIFE HRS.	FILAMENT TYPE
DW10	14.0	.100	.500	6.29	10,000	C-2F

*LAMP RATING ONLY WITHOUT BASE

BASE COLOR
GRAY



<p>THIRD ANGLE PROJECTION</p>	<p>METRIC</p> <p>DIMENSIONS ARE IN MILLIMETERS</p> <p>TOLERANCE UNLESS OTHERWISE SPECIFIED</p> <p>1 PL +/- 0.2</p> <p>2 PL +/- 0.20</p> <p>ANGLE +/- 0</p>	<p>JKL COMPONENTS CORPORATION</p>					
	<p>TITLE</p> <p>T-1 1/4 DOUBLE CONTACT NEO-WEDGE BASE</p>						
<p>DRAWN BY</p> <p>L. WENGSTROM</p>	<p>APPVD BY</p> <p>LW</p>	<p>DATE</p> <p>10/16/00</p>	<p>SIZE</p> <p>A</p>	<p>FSCM NO.</p> <p>55335</p>	<p>DRAWING NO.</p> <p>DNW21-DW10/GRA/11.5MM</p>		
<p>- CAD DRAWING -</p> <p>MANUAL REVISIONS NOT PERMITTED</p>			<p>SCALE</p> <p>NONE</p>	<p>RELEASED DATE</p> <p>10/16/00</p>	<p>REVISION DATE</p>	<p>REV. NO.</p>	<p>SHEET</p> <p>1 OF 1</p>